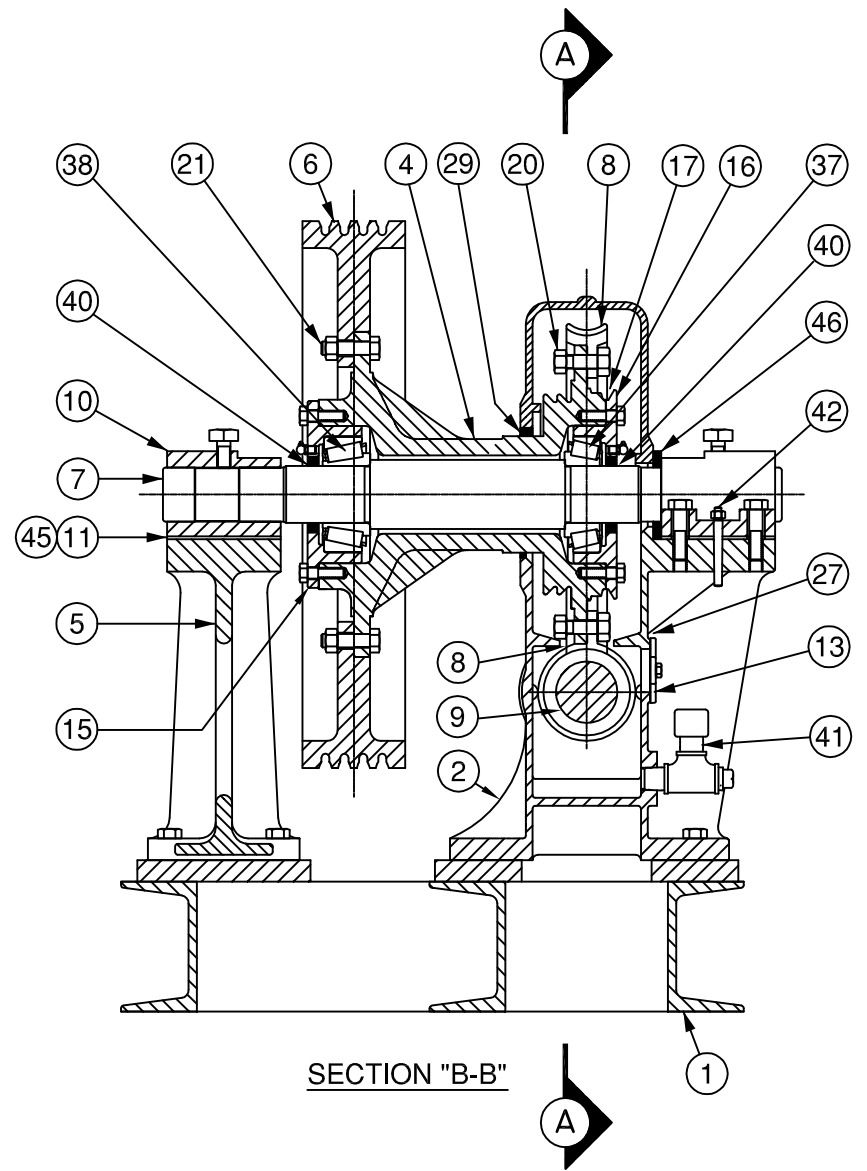


SECTION "A-A"



SECTION "B-B"



HOLLISTER-WHITNEY  
ELEVATOR CORPORATION  
QUINCY ILLINOIS

OVERHEAD TRACTION MACHINES  
WITH DRUM BRAKE

PARTS LIST  
BULLETIN

1000-OH

PUR #413 2-11-10

OVERHEAD TRACTION MACHINES WITH DRUM BRAKE

PARTS LIST

NO.	DESCRIPTION	QTY.	PART NO.			
			#43 Mach.	#53 Mach.	#63 Mach.	#74 Mach.
1	BASE	1	43-OH-1	53-OH-1	63-OH-1	74-OH-1
2	HOUSING-LOWER	1	43-2	53-2	63-2	74-2
3	HOUSING-UPPER	1	43-3	53-3	63-3	74-3
4	CENTER-GEAR & T.S.	1	43-4	53-4	63-4	74-4
5	STAND-OUTBOARD	1	43-5	53-5	63-5	74-5
6	SHEAVE-TRACTION	1	43-	53-	63-	74-
7	SHAFT-MAIN	1	43-18	53-18	63-18	74-18
8	GEAR	1	43-	53-	63-	74-
9	WORM	1	43-	53-	63-	74-
10	BLOCKS-SHAFT SUPPORT	2	43-61	53-61	63-61	74-61
11	SHIM-SHAFT SUPPORT BLOCK (SOLID)	8	43-62	53-62	63-62	74-62
	SHIM-SHAFT SUPPORT BLOCK (LAM.)	4	43-62-1	53-62-1	63-62-1	74-62-1
12	PLATE-UPPER HOUSING	1	43-63	43-63	43-63	74-63
13	PLATE-LOWER HOUSING	1	43-64	43-64	43-64	43-64
14	DRUM-BRAKE	1	43-65	53-65	63-65	74-65
15	RETAINER-T.S. END BEARING	1	43-66	53-66	63-66	74-66
16	RETAINER-GEAR END BEARING	1	43-67	53-67	63-67	74-67
17	SHIM-RETAINER (GEAR END)		43-68	53-68	63-68	74-68
18	COUPLING-MOTOR	1	43-70	53-70	53-70	74-70
19	GASKET-HOUSING	2	43-71	53-71	63-71	74-71
20	BODY BOLT-GEAR END	6/8/12	43-72 (6)	53-72 (6)	53-72 (8)	74-72 (12)
21	BODY BOLT-T.S. END	8/12	43-73 (8)	53-73 (8)	53-73 (8)	74-73 (12)
22	WASHER	1	43-74	53-74	63-74	74-74
23	WASHER	1	44-199	54-199	64-199	74-199
24A	NUT-JAM	1	43-075	53-075	63-075	74-200
24B	NUT-JAM	2	43-075	53-075	63-075	74-075
25	COLLAR-THREADED LOCK	1	44-198	54-198	64-198	74-198
27	GASKET-LOWER HOUSING PLATE	1	43-77	43-77	43-77	43-77
28	GASKET-UPPER HOUSING PLATE	1	43-78	43-78	43-78	74-78
29	SEAL-HOUSING	1	43-79	53-79	63-79	74-79
30	SEAL-CLIPPER (SPLIT)	1	43-81-1	53-81-1	63-81-1	74-81-1
31	BUSHING-WORM SHAFT	2	43-82	53-82	63-82	74-82
32	RETAINER-CLIPPER SEAL	1	43-83	53-83	63-83	74-83
33	HOUSING-REAR END BEARING	1	43-84	53-84	63-84	74-84
34	CAP-REAR END BEARING HOUSING	1	43-85	53-85	63-85	74-85
35	HOUSING-FORWARD END BEARING	1	43-86	53-86	63-86	74-86
36	SHIM-BEARING HOUSING	8	43-87	53-87	63-87	74-87
37	BEARING-GEAR END	1	43-89	53-89	63-89	74-89
38	BEARING-T.S. END	1	43-90	53-90	63-90	74-90
39	BEARING-THRUST(ONE MATCHED SET OF 2)	1	43-91	53-91	63-91	74-91
40	KLOZURE (GEAR & T.S. END)	2	43-92	53-92	63-92	74-92
41	OIL LEVEL TUBE	1	43-101	53-101	63-101	74-101
42	PIN-THREADED DOWEL #7 (3" LG.) / #10 (5" LG.)	9	43-102	43-102	43-102	74-102
43	KEY-BRAKE DRUM	1	43-104	43-104	63-104	74-104
44	TAG-MACHINE DATA	1	43-134	43-134	43-134	43-134
45	SHIM-SUPPORT BLOCK	1	43-157	53-157	63-157	74-157
46	FOAM SEAL-GEAR HOUSING	1	43-178	53-178	63-178	74-178
47	BRAKE - DRUM	1	90	100	110	120