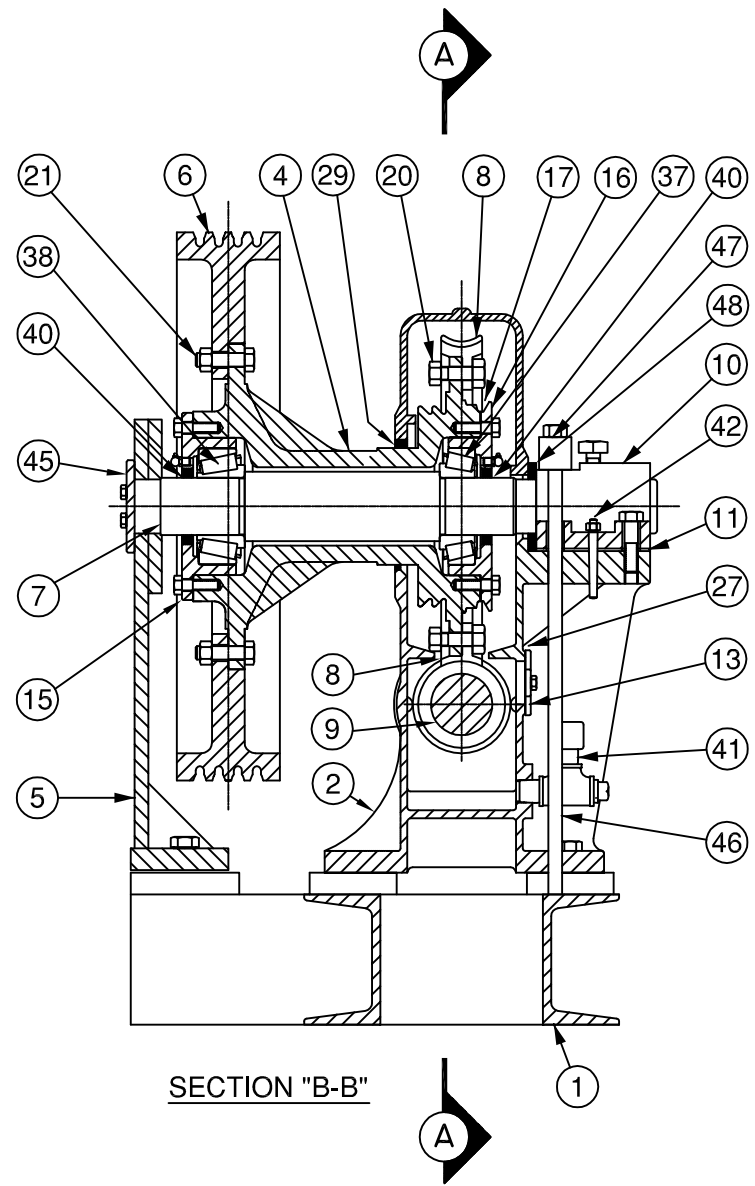



SECTION "A-A"



SECTION "B-B"

 HOLLISTER-WHITNEY ELEVATOR CORPORATION QUINCY ILLINOIS	
BASEMENT TRACTION MACHINES WITH DISC BRAKE	
PARTS LIST BULLETIN	<b>1125-BS</b>

PUR #413 2-11-10

BASEMENT SET TRACTION MACHINES WITH DISC BRAKE

PARTS LIST

NO.	DESCRIPTION	QTY.	PART NO.		
			#44 Mach.	#54 Mach.	#64 Mach.
1	BASE	1	43-BS-1	53-BS-1	63-BS-1
2	HOUSING-LOWER	1	43-2	53-2	63-2
3	HOUSING-UPPER	1	43-3	53-3	63-3
4	CENTER-GEAR & T.S.	1	43-4	53-4	63-4
5	STAND-OUTBOARD	1	43-BS-5	53-BS-5	63-BS-5
6	SHEAVE-TRACTION	1	43-	53-	63-
7	SHAFT-MAIN	1	43-BS-18	53-BS-18	63-BS-18
8	GEAR	1	43-	53-	63-
9	WORM	1	43-	54-	64-
10	BLOCK-SHAFT SUPPORT	1	43-61	53-61	63-61
11	SHIM-SHAFT SUPPORT BLOCK (SOLID)	4	43-62	53-62	63-62
	SHIM-SHAFT SUPPORT BLOCK (LAM.)	2	43-62-1	53-62-1	63-62-1
12	PLATE-UPPER HOUSING	1	43-63	43-63	74-63
13	PLATE-LOWER HOUSING	1	43-64	43-64	43-64
14	DISC-BRAKE	1	44-186	54-186	64-186
15	RETAINER-T.S. END BEARING	1	43-66	53-66	63-66
16	RETAINER-GEAR END BEARING	1	43-67	53-67	63-67
17	SHIM-RETAINER (GEAR END)		43-68	53-68	63-68
18	COUPLING-MOTOR	1	44-187	44-187	64-187
19	GASKET-HOUSING	2	43-71	53-71	63-71
20	BODY BOLT-GEAR END	6/8	43-72 (6)	53-72 (6)	53-72 (8)
21	BODY BOLT-T.S. END	8	43-73	53-73	53-73
22	WASHER	1	43-74	53-74	63-74
23	WASHER	1	44-199	54-199	64-199
24	NUT-JAM	3	43-075	53-075	63-075
25	COLLAR-THREADED LOCK	1	44-198	54-198	64-198
27	GASKET-LOWER HOUSING PLATE	1	43-77	43-77	43-77
28	GASKET-UPPER HOUSING PLATE	1	43-78	43-78	74-78
29	SEAL-HOUSING	1	43-79	53-79	63-79
30	SEAL-CLIPPER (SPLIT)	1	43-81-1	53-81-1	63-81-1
31	BUSHING-WORM SHAFT	2	43-82	53-82	63-82
32	RETAINER-CLIPPER SEAL	1	43-83	53-83	63-83
33	HOUSING-REAR END BEARING	1	43-84	53-84	63-84
34	CAP-REAR END BEARING HOUSING	1	43-85	53-85	63-85
35	HOUSING-FORWARD END BEARING	1	43-86	53-86	63-86
36	SHIM-BEARING HOUSING	8	43-87	53-87	63-87
37	BEARING-GEAR END	1	43-89	53-89	63-89
38	BEARING-T.S. END	1	43-90	53-90	63-90
39	BEARING-THRUST(ONE MATCHED SET OF 2)	1	43-91	53-91	63-91
40	KLOZURE (GEAR & T.S. END)	2	43-92	53-92	63-92
41	OIL LEVEL TUBE	1	43-101	63-101	53-101
42	PIN-THREADED DOWEL #7 (3" LG.) / #10 (5" LG.)	13	43-102	43-102	74-102
43	KEY-BRAKE DRUM	1	43-104	43-104	63-104
44	TAG-MACHINE DATA	1	43-134	43-134	43-134
45	RETAINER-SHAFT	1	43-BS-135	53-BS-135	63-BS-135
46	HOLD DOWN ROD	2	43-BS-136	53-BS-136	63-BS-136
47	HOLD DOWN BAR	1	43-BS-137	53-BS-137	63-BS-137
48	FOAM SEAL-GEAR HOUSING	1	43-178	53-178	63-178
49	BRAKE - DISC	1	102	102	112