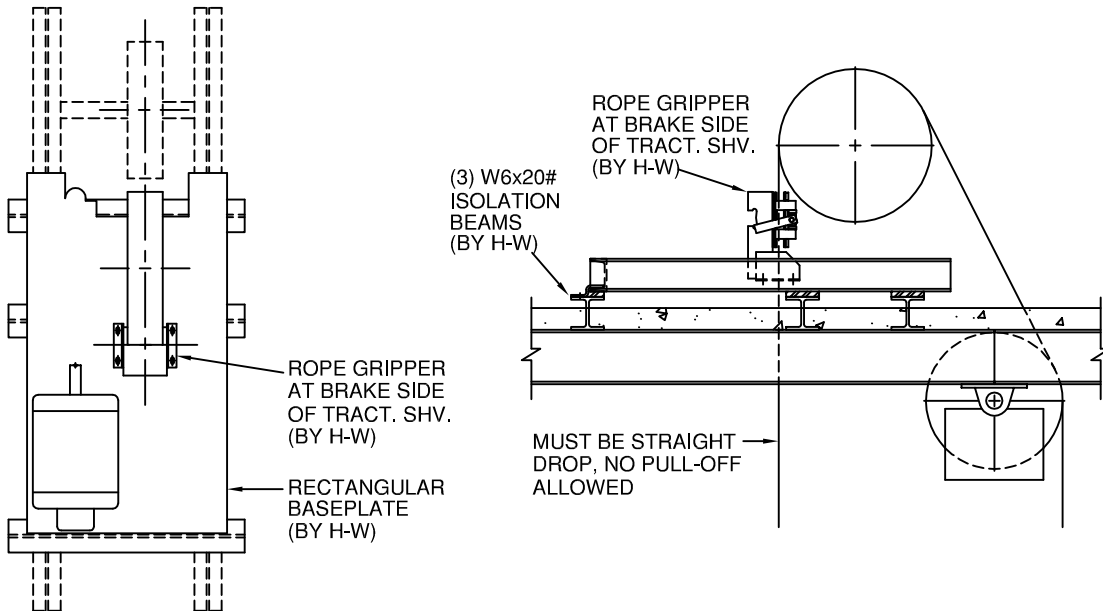


HOLLISTER-WHITNEY ELEVATOR CORPORATION

#1 Hollister-Whitney Parkway
 Quincy, IL 62305
 Phone: 217-222-0466

Fax: 217-222-0493
 email: engineering@hollisterwhitney.com
 www. hollisterwhitney.com

OH MACHINE MOUNTING FOR ROPE GRIPPER LOCATED AT BRAKE SIDE OF TRACTION SHEAVE



OVERHEAD MACHINE MOUNTING FOR ROPE GRIPPER LOCATED AT BRAKE SIDE OF TRACTION SHEAVE IS AVAILABLE FOR THE COMBINATIONS LISTED BELOW			
MACHINE	BRAKE	ROPE GRIPPER	TRACTION SHEAVE DIA.
#34 O.H.	#92 DISC	#620	22", 24", 25"
#44 O.H.	#102 DISC	#620	22", 24", 25", 26", 28"
		#622	22", 24", 25", 26", 28"
#54 O.H.	#102 DISC	#620	22", 25", 26", 28", 30"
		#622	25", 26", 28", 30"
#64 O.H.	#112 DISC	#622	28", 30", 32", 34", 36", 38"
		#624	32", 34", 36", 38"
		#626	32", 34", 36", 38"
#74 O.H.	#120 DRUM	#622	32", 34", 36", 38"
		#624	32", 34", 36", 38"
		#626	32", 34", 36", 38"

38" DIA. TRACTION SHEAVE IS SPECIAL
 ADDITIONAL RESTRICTIONS APPLY
 (CONSULT WITH ENGINEERING STAFF)

NEMA 4 ROPE GRIPPER USED WITH
 32" DIA. TRACTION SHEAVE ONLY