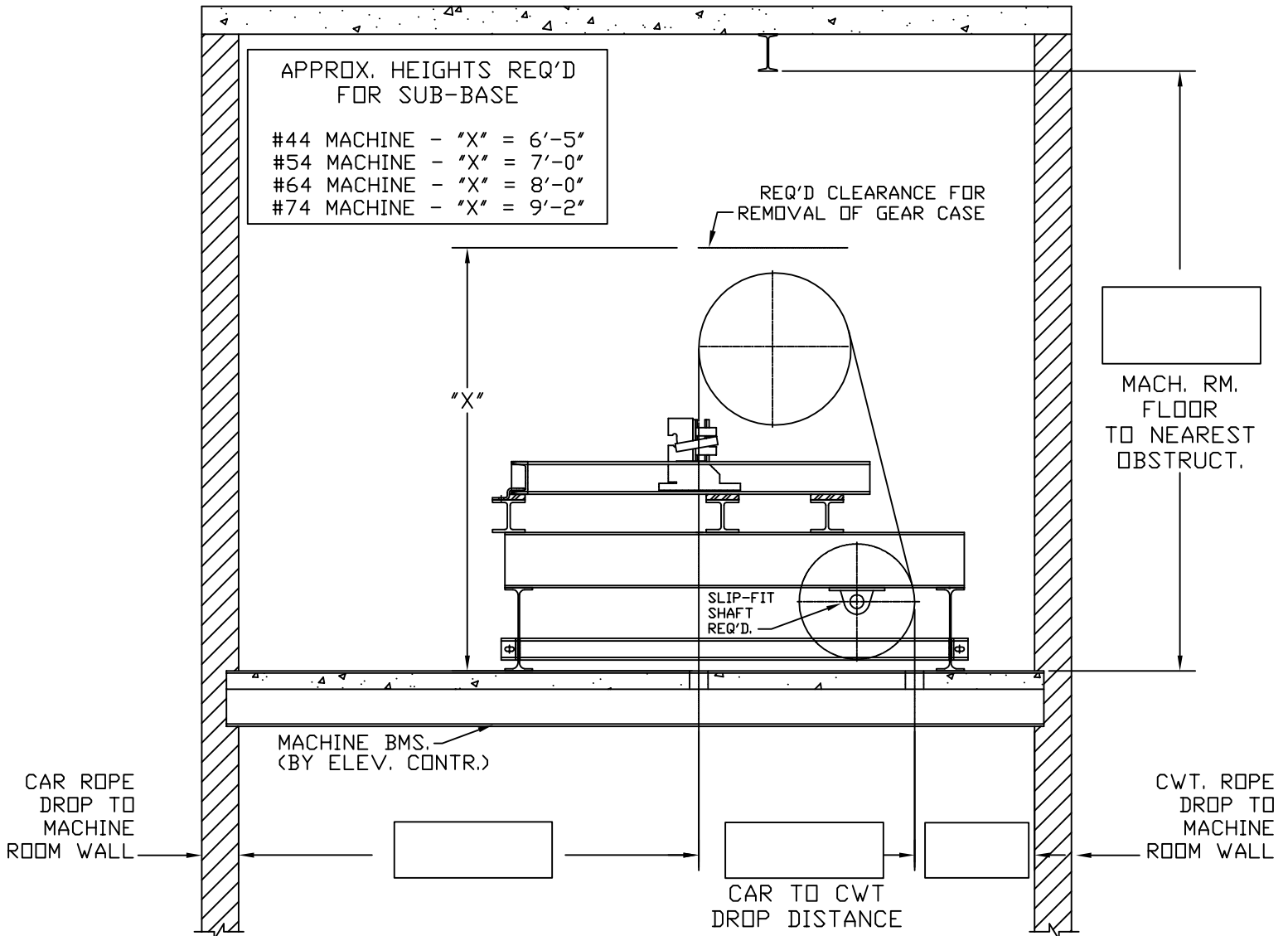


HOLLISTER-WHITNEY ELEVATOR CORPORATION

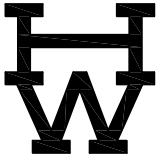
#1 Hollister-Whitney Parkway
Quincy, IL 62305
Phone: 217-222-0466

Fax: 217-222-0493
email: engineering@hollisterwhitney.com
www. hollisterwhitney.com

INFORMATION REQUIRED TO MANUFACTURE H-W GEARED MACHINE SUB-BASE



- 1) FILL IN OPEN DIMENSIONS ABOVE
- 2) CAR WEIGHT
- 3) PROVIDE MACHINE ROOM PLAN SKETCH
 - a) LOCATE CAR AND CWT. RAILS
 - b) PROVIDE MACHINE BEAM SPACING LOCATING CENTERLINE OF SHEAVE TO CENTERLINE OF MACHINE BEAMS
 - c) MACHINE BEAM SIZE _____ H. x _____ W.

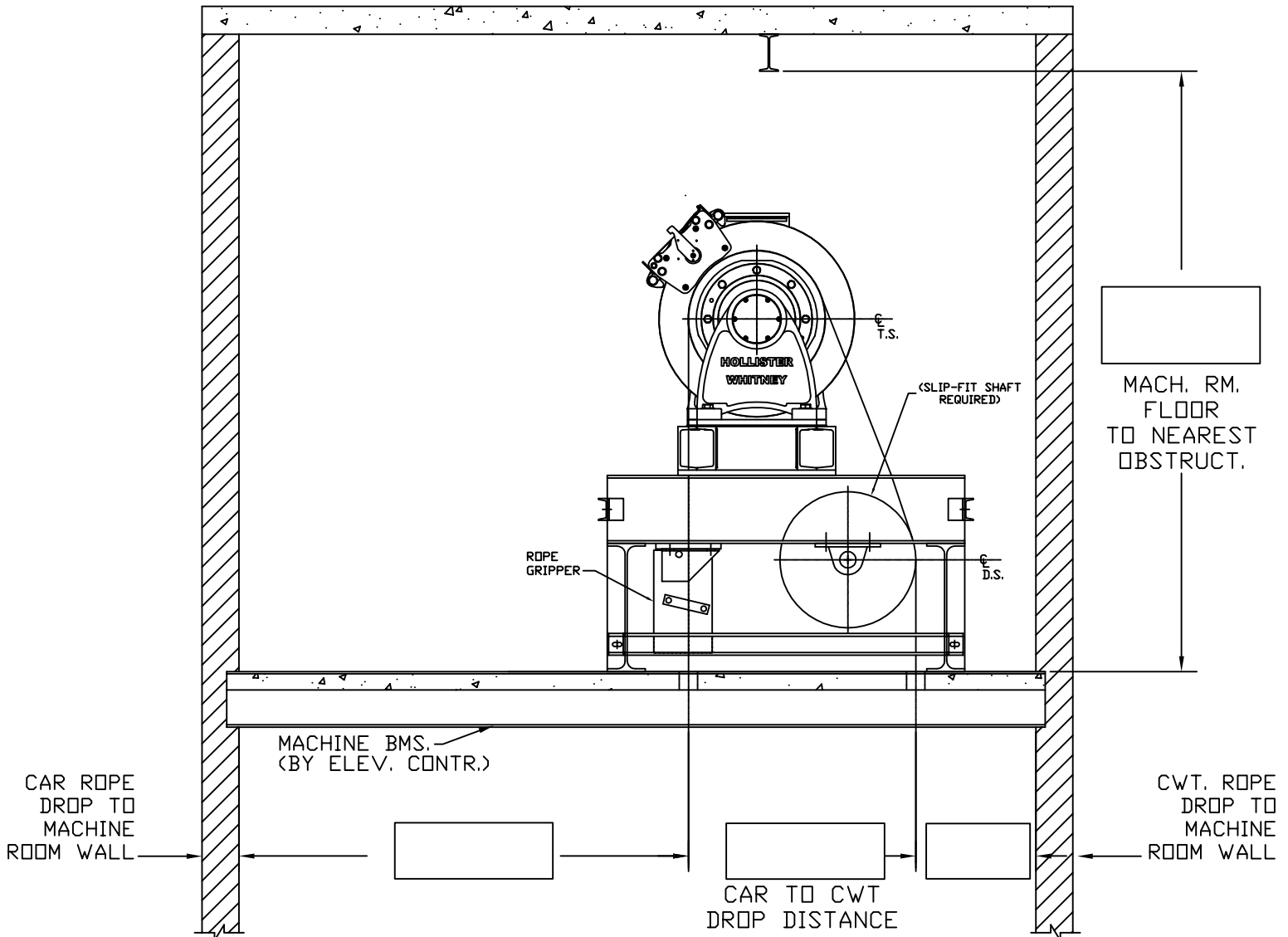


HOLLISTER-WHITNEY ELEVATOR CORPORATION

#1 Hollister-Whitney Parkway
Quincy, IL 62305
Phone: 217-222-0466

Fax: 217-222-0493
email: engineering@hollisterwhitney.com
www. hollisterwhitney.com

INFORMATION REQUIRED TO MANUFACTURE H-W GEARLESS MACHINE SUB-BASE



- 1) FILL IN OPEN DIMENSIONS ABOVE
- 2) CAR WEIGHT
- 3) PROVIDE MACHINE ROOM PLAN SKETCH
 - a) LOCATE CAR AND CWT. RAILS
 - b) PROVIDE MACHINE BEAM SPACING LOCATING CENTERLINE OF SHEAVE TO CENTERLINE OF MACHINE BEAMS
 - c) MACHINE BEAM SIZE _____ H. x _____ W.