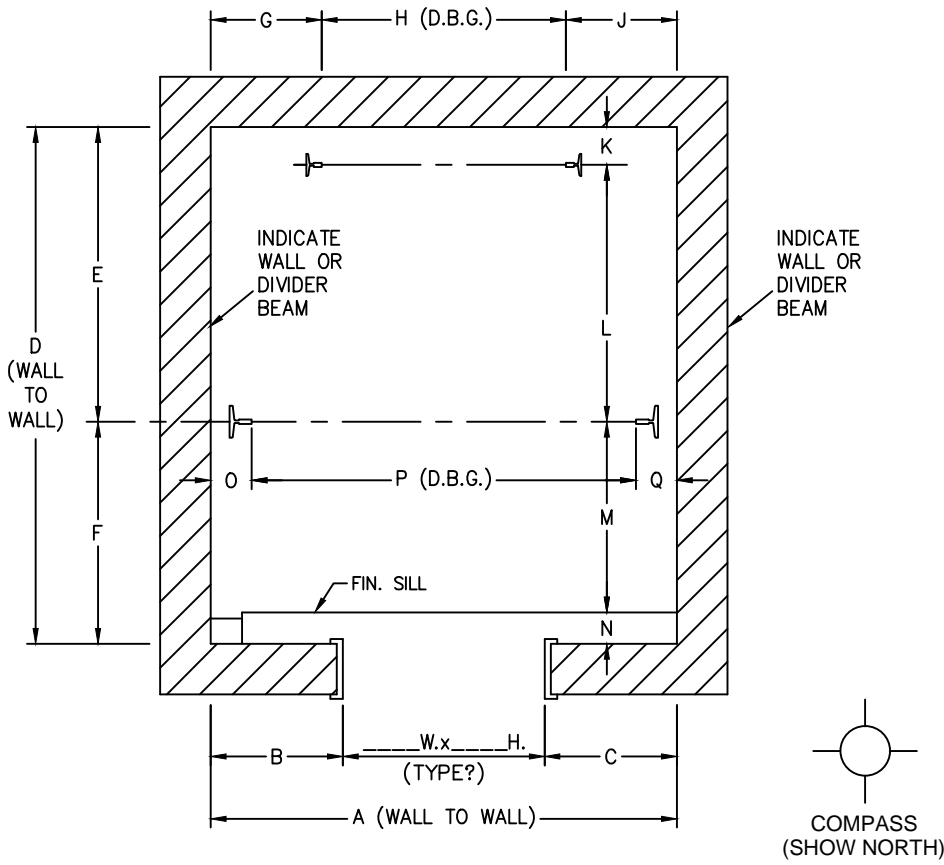


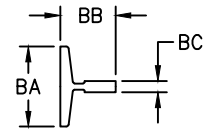
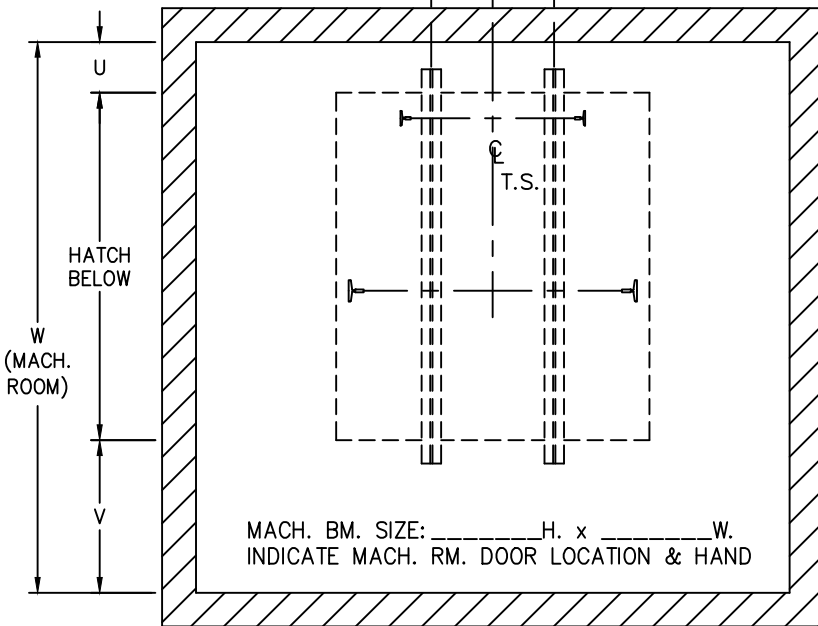
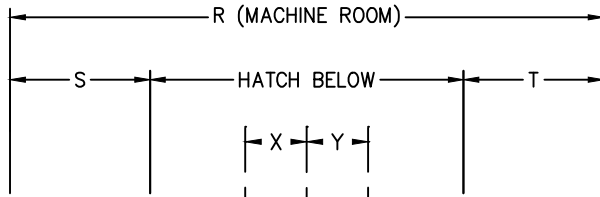


E-172 EXISTING SHAFT SURVEY (SHT. 2)

SINGLE OPENING - CWT. AT REAR



DIMENSIONS AT TIGHTEST POINT	
A	
B	
C	
D	
E	
F	
G	
H	
J	
K	
L	
M	
N	
O	
P	
Q	
R	
S	
T	
U	
V	
W	
X	
Y	



RAIL DIMENSIONS		
	CAR	CWT.
BA		
BB		
BC		
LB./FT.		

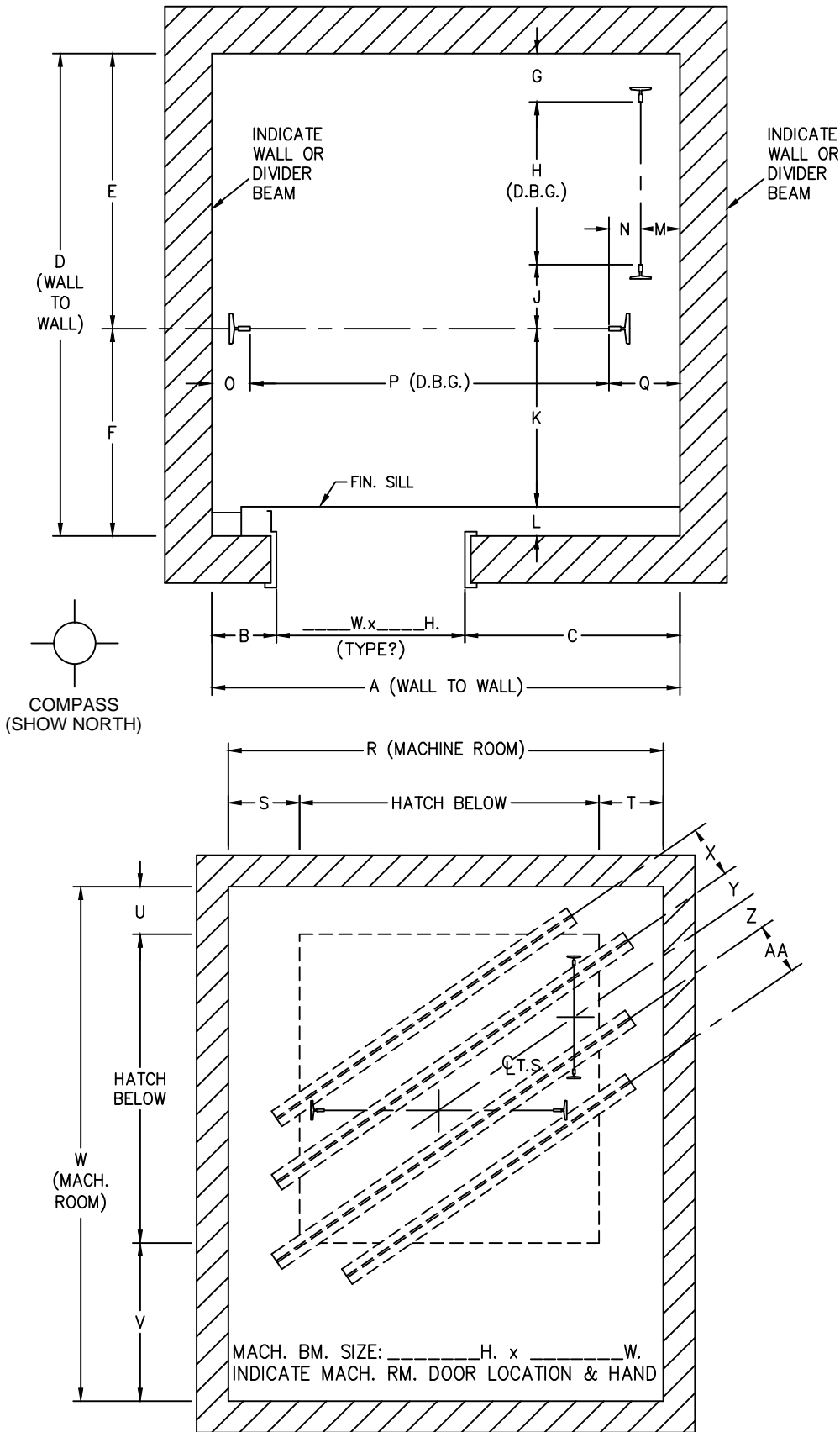
ELEV. CONTR. \_\_\_\_\_  
 JOB NAME \_\_\_\_\_  
 ELEVATOR NO. \_\_\_\_\_  
 H-W JOB NO. \_\_\_\_\_ DATE \_\_\_\_\_



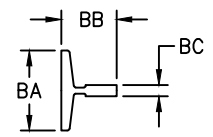
HOLLISTER-WHITNEY ELEVATOR CORP.  
 #1 Hollister-Whitney Parkway  
 Quincy, Illinois 62305  
 Ph. (217)222-0466 Fax (217)222-0493  
 email: engineering@hwec.com

E-172 EXISTING SHAFT SURVEY (SHT. 3)

SINGLE OPENING -  
LEFT HAND DOOR -  
CWT. ON RIGHT

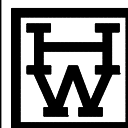


DIMENSIONS AT TIGHTEST POINT	
A	
B	
C	
D	
E	
F	
G	
H	
J	
K	
L	
M	
N	
O	
P	
Q	
R	
S	
T	
U	
V	
W	
X	
Y	
Z	
AA	



RAIL DIMENSIONS		
	CAR	CWT.
BA		
BB		
BC		
LB./FT.		

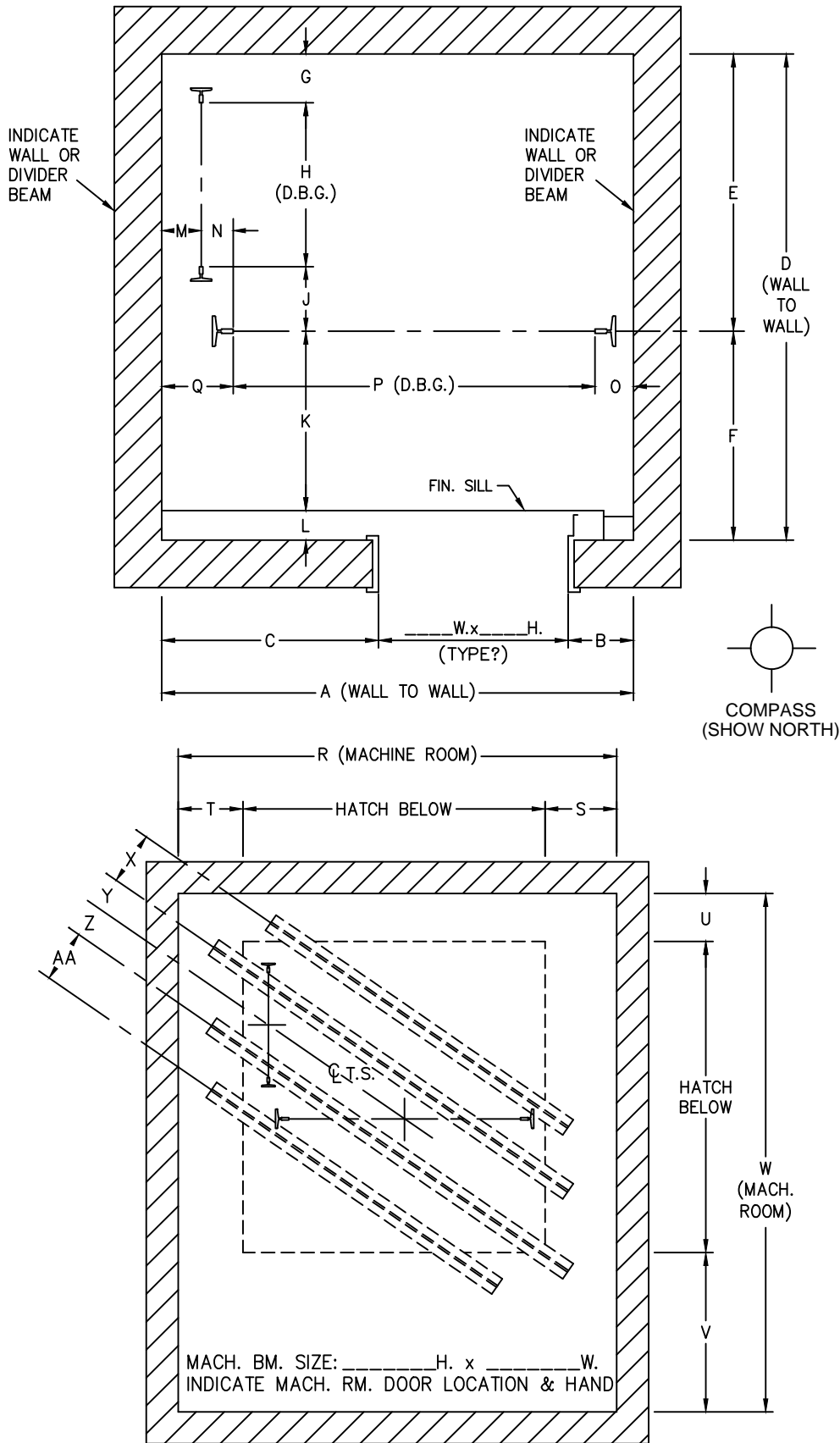
ELEV. CONTR. \_\_\_\_\_  
 JOB NAME \_\_\_\_\_  
 ELEVATOR NO. \_\_\_\_\_  
 H-W JOB NO. \_\_\_\_\_ DATE \_\_\_\_\_



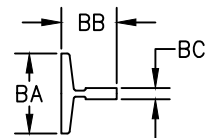
HOLLISTER-WHITNEY ELEVATOR CORP.  
 #1 Hollister-Whitney Parkway  
 Quincy, Illinois 62305  
 Ph. (217)222-0466 Fax (217)222-0493  
 email: engineering@hwec.com

E-172 EXISTING SHAFT SURVEY (SHT. 4)

SINGLE OPENING -  
RIGHT HAND DOOR -  
CWT. ON LEFT

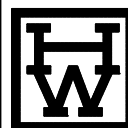


DIMENSIONS AT TIGHTEST POINT	
A	
B	
C	
D	
E	
F	
G	
H	
J	
K	
L	
M	
N	
O	
P	
Q	
R	
S	
T	
U	
V	
W	
X	
Y	
Z	
AA	



RAIL DIMENSIONS		
	CAR	CWT.
BA		
BB		
BC		
LB./FT.		

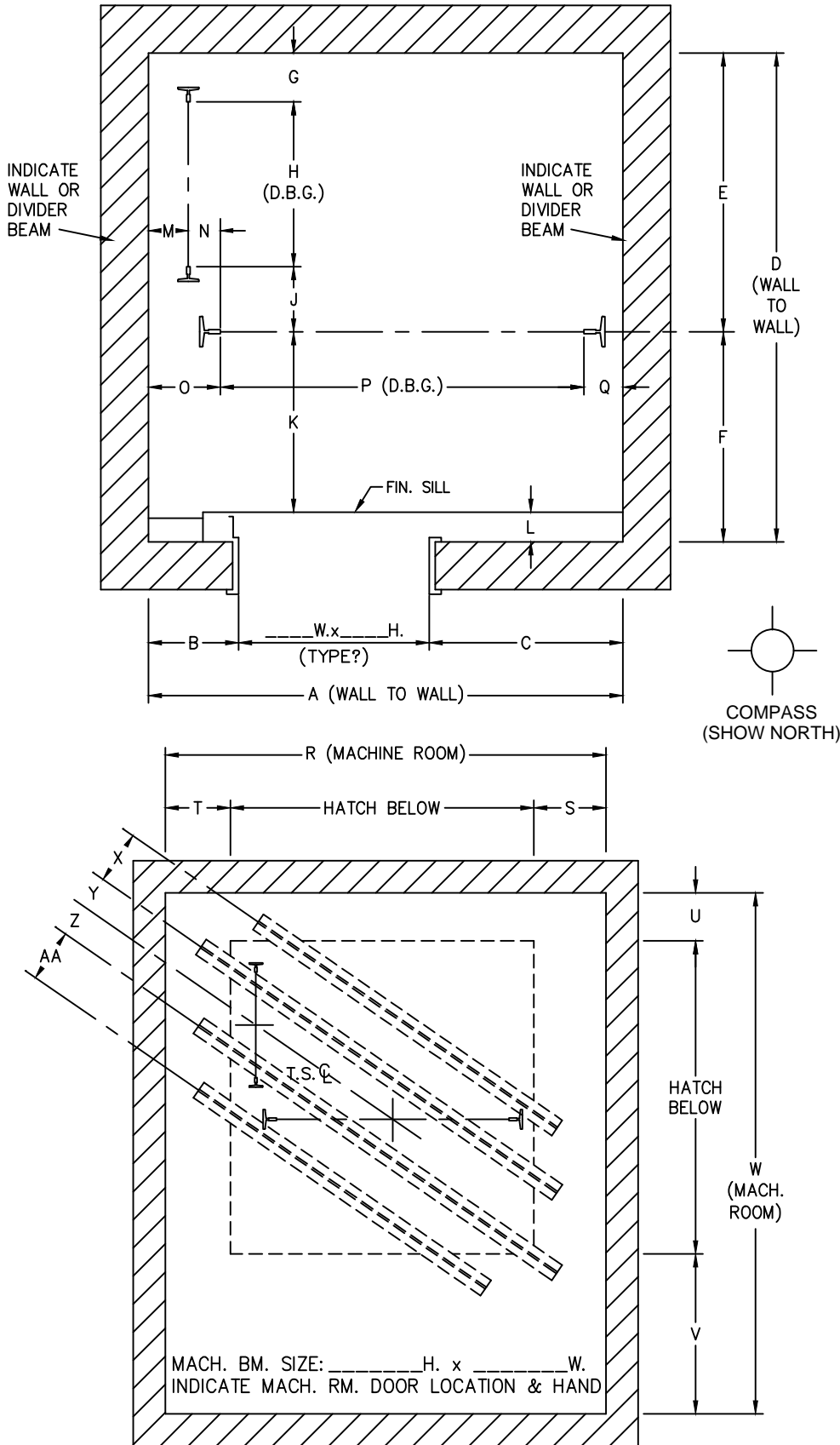
ELEV. CONTR. \_\_\_\_\_  
 JOB NAME \_\_\_\_\_  
 ELEVATOR NO. \_\_\_\_\_  
 H-W JOB NO. \_\_\_\_\_ DATE \_\_\_\_\_



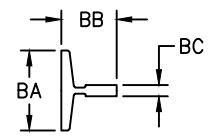
HOLLISTER-WHITNEY ELEVATOR CORP.  
 #1 Hollister-Whitney Parkway  
 Quincy, Illinois 62305  
 Ph. (217)222-0466 Fax (217)222-0493  
 email: engineering@hwec.com

E-172 EXISTING SHAFT SURVEY (SHT. 5)

SINGLE OPENING -  
LEFT HAND DOOR -  
CWT. ON LEFT

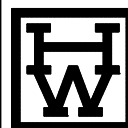


DIMENSIONS AT TIGHTEST POINT	
A	
B	
C	
D	
E	
F	
G	
H	
J	
K	
L	
M	
N	
O	
P	
Q	
R	
S	
T	
U	
V	
W	
X	
Y	
Z	
AA	



RAIL DIMENSIONS		
	CAR	CWT.
BA		
BB		
BC		
LB./FT.		

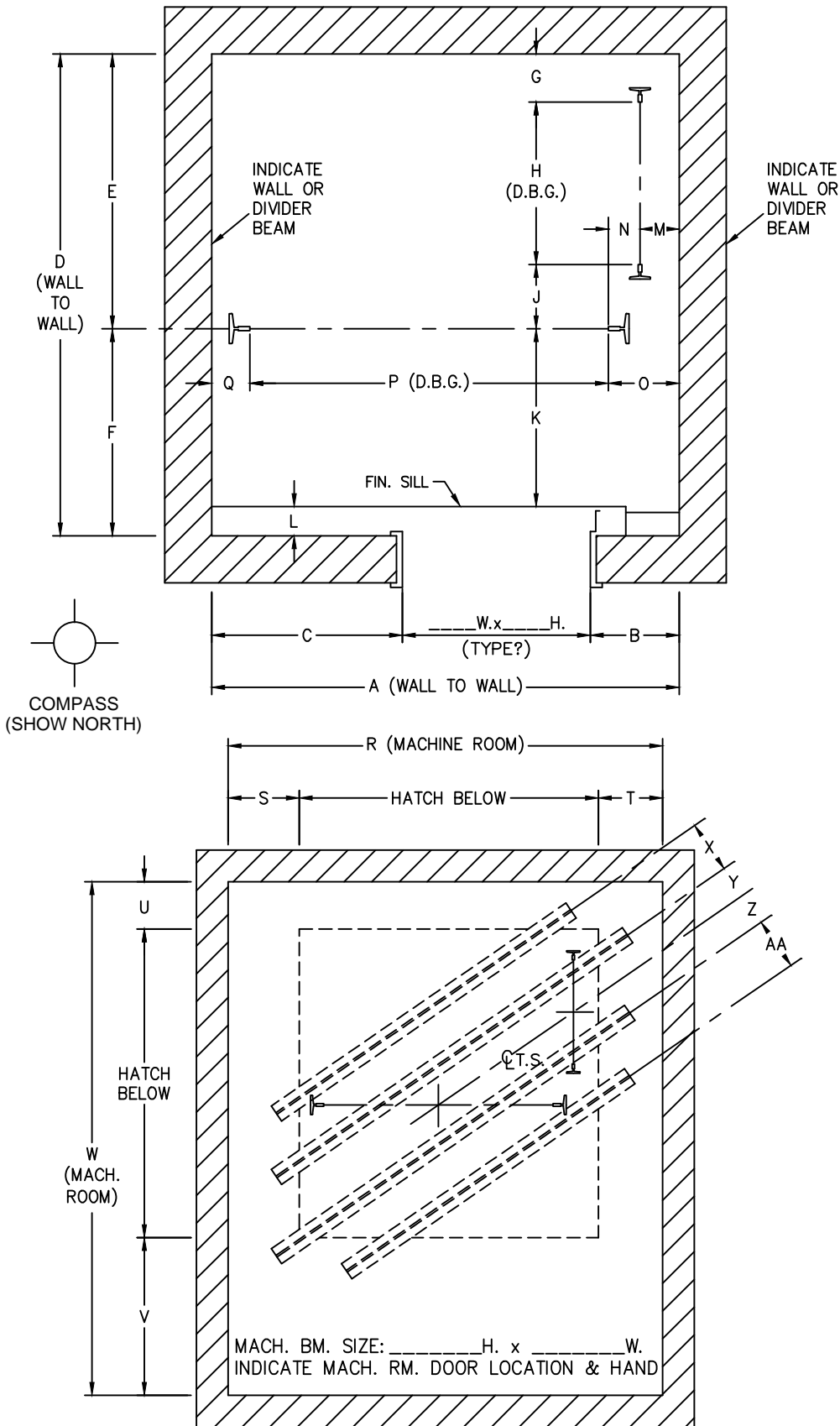
ELEV. CONTR. \_\_\_\_\_  
 JOB NAME \_\_\_\_\_  
 ELEVATOR NO. \_\_\_\_\_  
 H-W JOB NO. \_\_\_\_\_ DATE \_\_\_\_\_



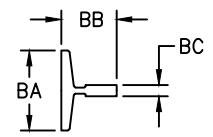
HOLLISTER-WHITNEY ELEVATOR CORP.  
 #1 Hollister-Whitney Parkway  
 Quincy, Illinois 62305  
 Ph. (217)222-0466 Fax (217)222-0493  
 email: engineering@hwec.com

E-172 EXISTING SHAFT SURVEY (SHT. 6)

SINGLE OPENING -  
RIGHT HAND DOOR -  
CWT. ON RIGHT

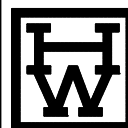


DIMENSIONS AT TIGHTEST POINT	
A	
B	
C	
D	
E	
F	
G	
H	
J	
K	
L	
M	
N	
O	
P	
Q	
R	
S	
T	
U	
V	
W	
X	
Y	
Z	
AA	



RAIL DIMENSIONS		
	CAR	CWT.
BA		
BB		
BC		
LB./FT.		

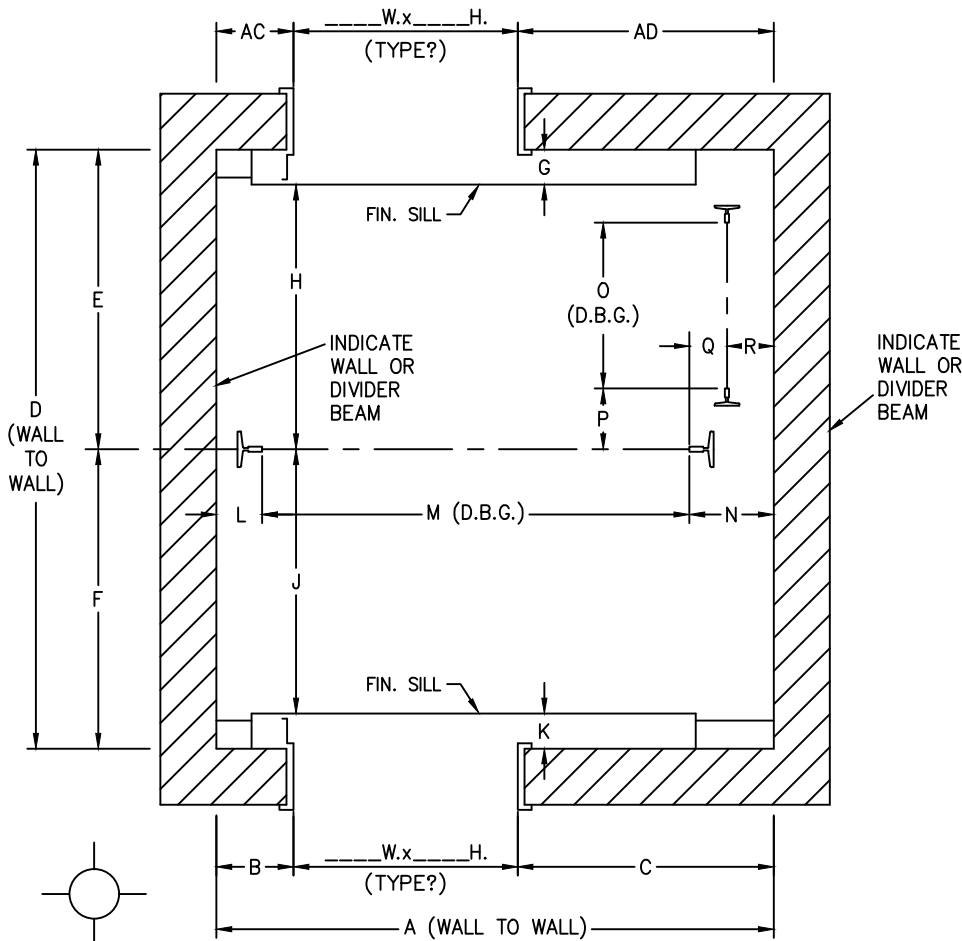
ELEV. CONTR. \_\_\_\_\_  
 JOB NAME \_\_\_\_\_  
 ELEVATOR NO. \_\_\_\_\_  
 H-W JOB NO. \_\_\_\_\_ DATE \_\_\_\_\_



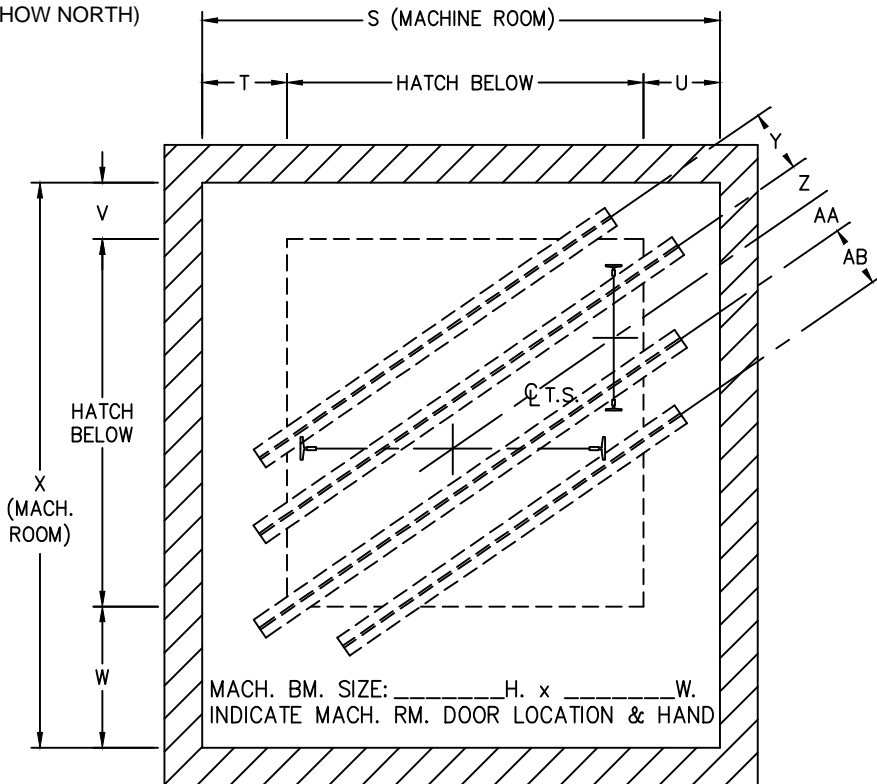
HOLLISTER-WHITNEY ELEVATOR CORP.  
 #1 Hollister-Whitney Parkway  
 Quincy, Illinois 62305  
 Ph. (217)222-0466 Fax (217)222-0493  
 email: engineering@hwec.com

E-172 EXISTING SHAFT SURVEY (SHT. 7)

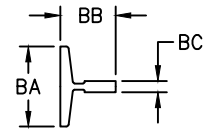
DOUBLE OPENING -  
LEFT HAND DOOR -  
CWT. ON RIGHT



COMPASS  
(SHOW NORTH)

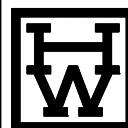


DIMENSIONS AT TIGHTEST POINT	
A	
B	
C	
D	
E	
F	
G	
H	
J	
K	
L	
M	
N	
O	
P	
Q	
R	
S	
T	
U	
V	
W	
X	
Y	
Z	
AA	
AB	
AC	
AD	



RAIL DIMENSIONS		
	CAR	CWT.
BA		
BB		
BC		
LB./FT.		

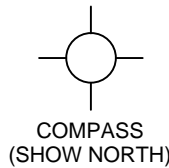
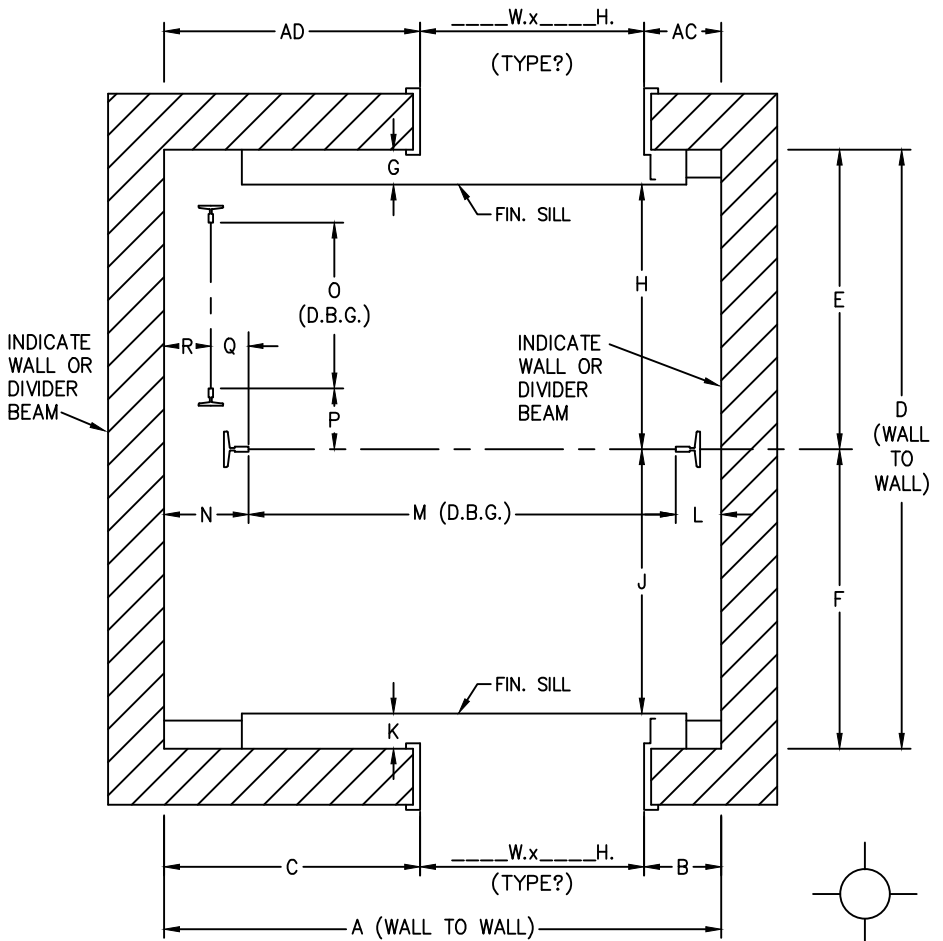
ELEV. CONTR. \_\_\_\_\_  
 JOB NAME \_\_\_\_\_  
 ELEVATOR NO. \_\_\_\_\_  
 H-W JOB NO. \_\_\_\_\_ DATE \_\_\_\_\_



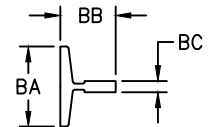
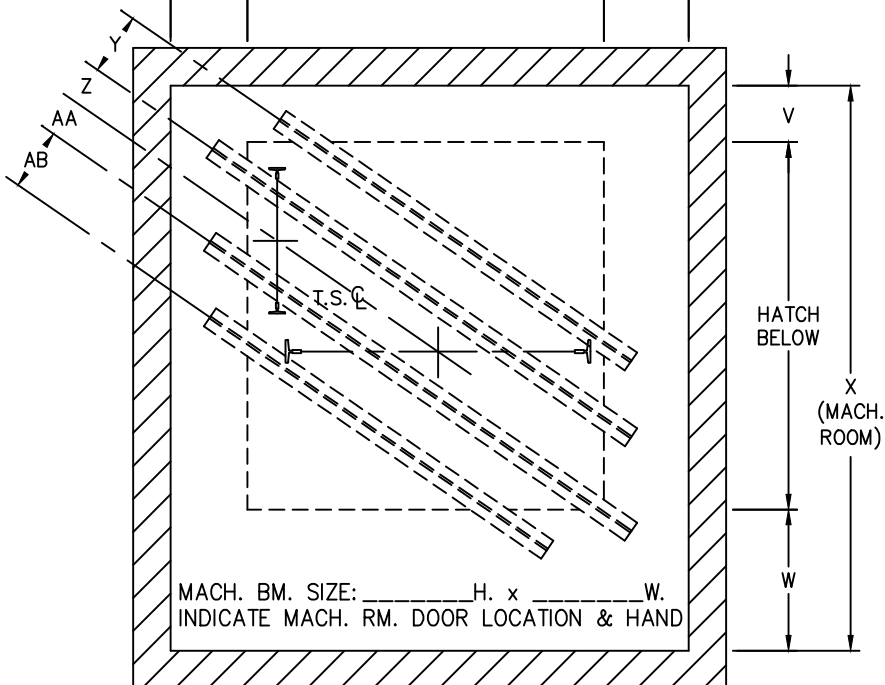
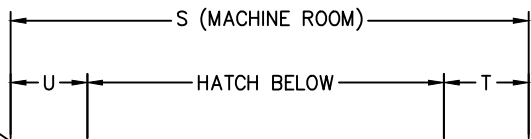
HOLLISTER-WHITNEY ELEVATOR CORP.  
 #1 Hollister-Whitney Parkway  
 Quincy, Illinois 62305  
 Ph. (217)222-0466 Fax (217)222-0493  
 email: engineering@hwec.com

E-172 EXISTING SHAFT SURVEY (SHT. 8)

DOUBLE OPENING -  
RIGHT HAND DOOR -  
CWT. ON LEFT



DIMENSIONS AT TIGHTEST POINT	
A	
B	
C	
D	
E	
F	
G	
H	
J	
K	
L	
M	
N	
O	
P	
Q	
R	
S	
T	
U	
V	
W	
X	
Y	
Z	
AA	
AB	
AC	
AD	



RAIL DIMENSIONS		
	CAR	CWT.
BA		
BB		
BC		
LB./FT.		

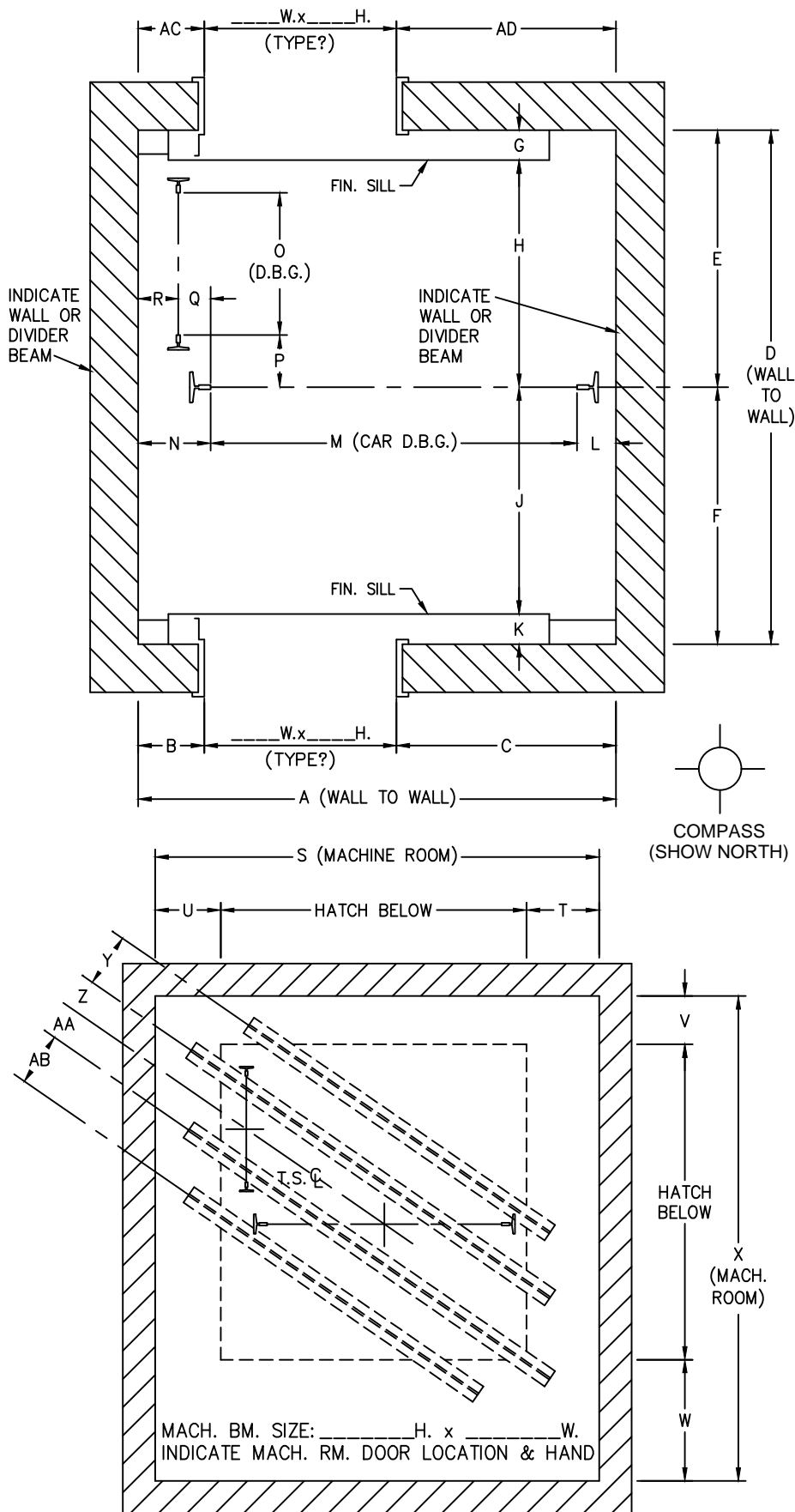
ELEV. CONTR. \_\_\_\_\_  
 JOB NAME \_\_\_\_\_  
 ELEVATOR NO. \_\_\_\_\_  
 H-W JOB NO. \_\_\_\_\_ DATE \_\_\_\_\_



HOLLISTER-WHITNEY ELEVATOR CORP.  
 #1 Hollister-Whitney Parkway  
 Quincy, Illinois 62305  
 Ph. (217)222-0466 Fax (217)222-0493  
 email: engineering@hwec.com

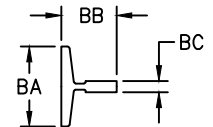


E-172 EXISTING SHAFT SURVEY (SHT. 9)



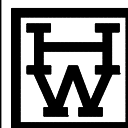
DOUBLE OPENING -  
LEFT HAND DOOR -  
CWT. ON LEFT

DIMENSIONS AT TIGHTEST POINT	
A	
B	
C	
D	
E	
F	
G	
H	
J	
K	
L	
M	
N	
O	
P	
Q	
R	
S	
T	
U	
V	
W	
X	
Y	
Z	
AA	
AB	
AC	
AD	



RAIL DIMENSIONS		
	CAR	CWT.
BA		
BB		
BC		
LB./FT.		

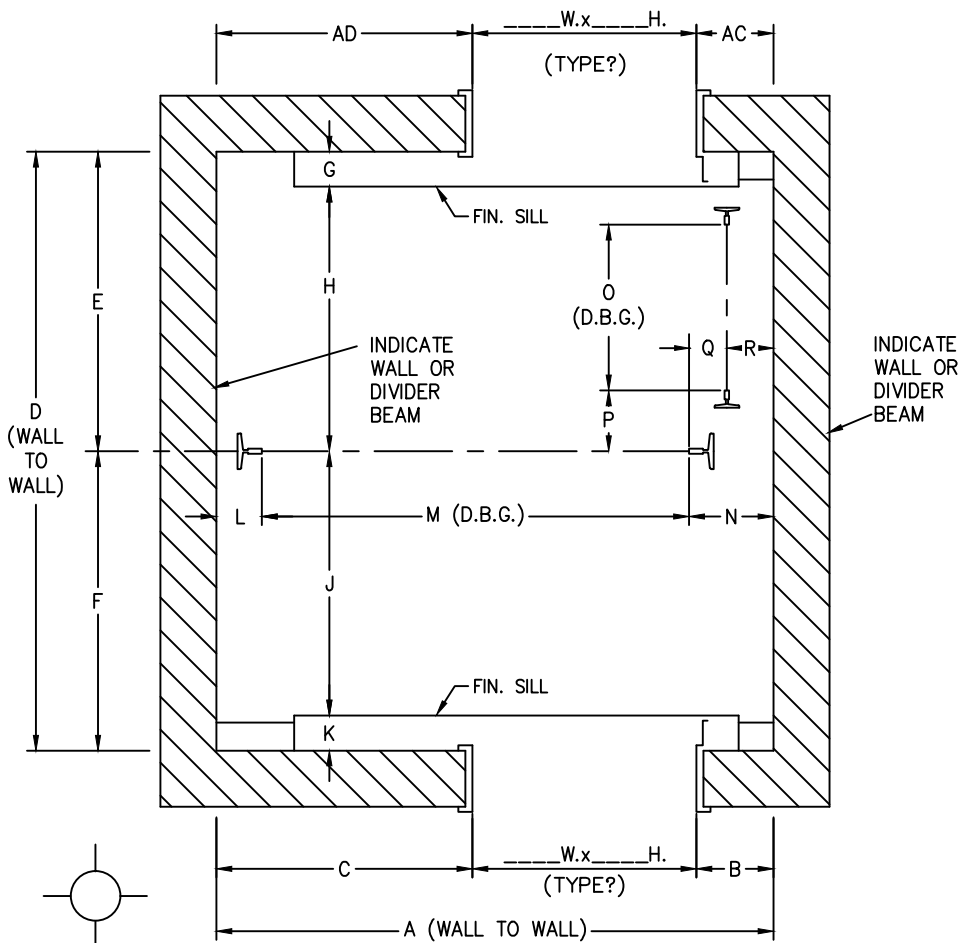
ELEV. CONTR. \_\_\_\_\_  
 JOB NAME \_\_\_\_\_  
 ELEVATOR NO. \_\_\_\_\_  
 H-W JOB NO. \_\_\_\_\_ DATE \_\_\_\_\_



HOLLISTER-WHITNEY ELEVATOR CORP.  
 #1 Hollister-Whitney Parkway  
 Quincy, Illinois 62305  
 Ph. (217)222-0466 Fax (217)222-0493  
 email: engineering@hwec.com

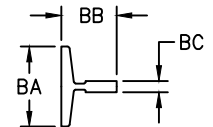
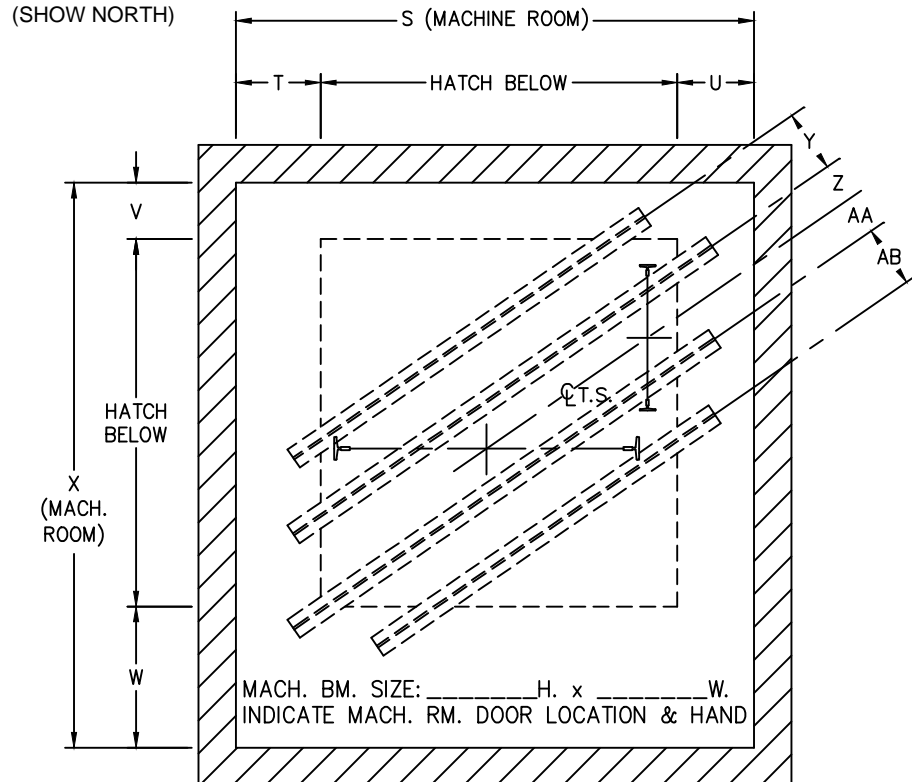
E-172 EXISTING SHAFT SURVEY (SHT. 10)

DOUBLE OPENING -  
RIGHT HAND DOOR -  
CWT. ON RIGHT



DIMENSIONS AT TIGHTEST POINT	
A	
B	
C	
D	
E	
F	
G	
H	
J	
K	
L	
M	
N	
O	
P	
Q	
R	
S	
T	
U	
V	
W	
X	
Y	
Z	
AA	
AB	
AC	
AD	

COMPASS  
(SHOW NORTH)



RAIL DIMENSIONS		
	CAR	CWT.
BA		
BB		
BC		
LB./FT.		

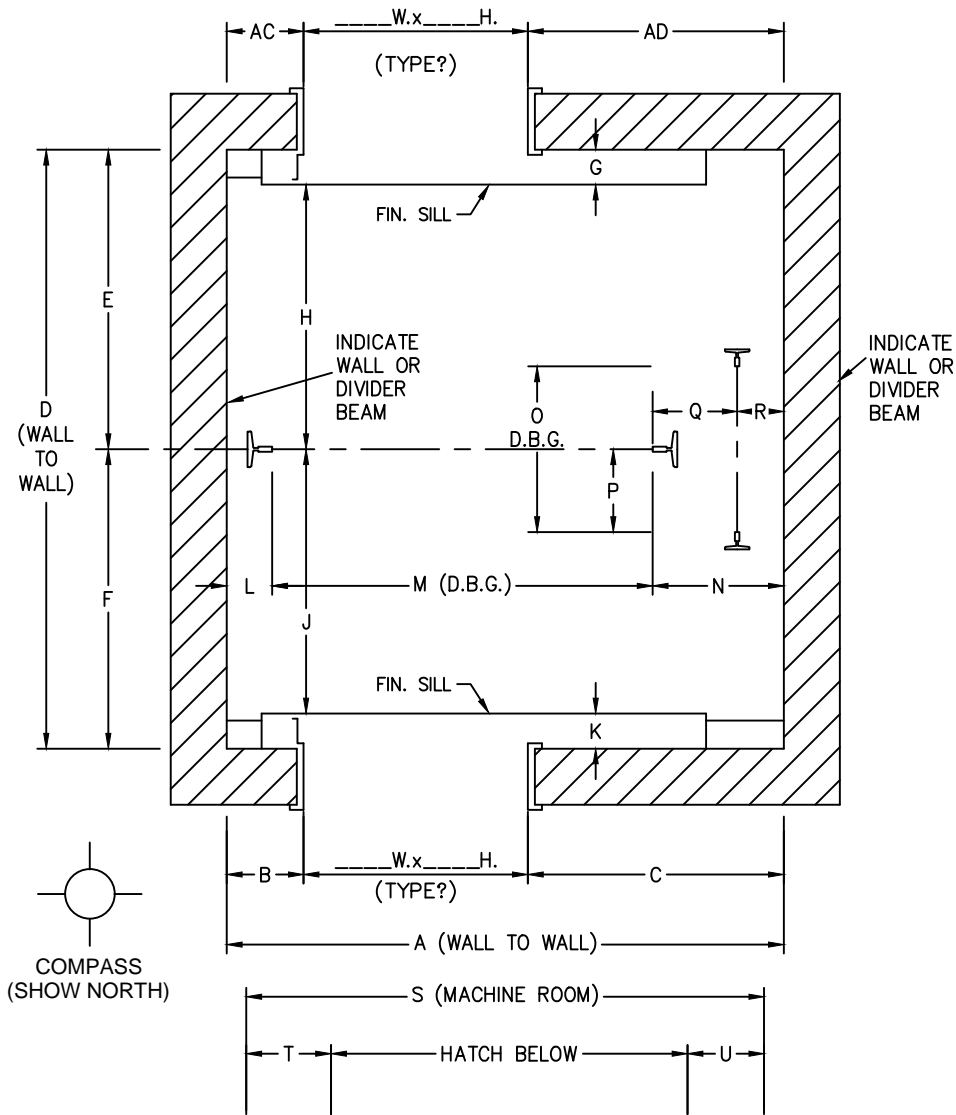
ELEV. CONTR. \_\_\_\_\_  
 JOB NAME \_\_\_\_\_  
 ELEVATOR NO. \_\_\_\_\_  
 H-W JOB NO. \_\_\_\_\_ DATE \_\_\_\_\_



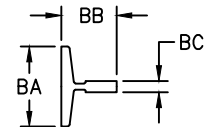
HOLLISTER-WHITNEY ELEVATOR CORP.  
 #1 Hollister-Whitney Parkway  
 Quincy, Illinois 62305  
 Ph. (217)222-0466 Fax (217)222-0493  
 email: engineering@hwec.com

E-172 EXISTING SHAFT SURVEY (SHT. 11)

DOUBLE OPENING -  
LEFT HAND DOOR -  
CWT. ON RIGHT

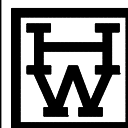


DIMENSIONS AT TIGHTEST POINT	
A	
B	
C	
D	
E	
F	
G	
H	
J	
K	
L	
M	
N	
O	
P	
Q	
R	
S	
T	
U	
V	
W	
X	
Y	
Z	
AA	
AB	
AC	
AD	



RAIL DIMENSIONS		
	CAR	CWT.
BA		
BB		
BC		
LB./FT.		

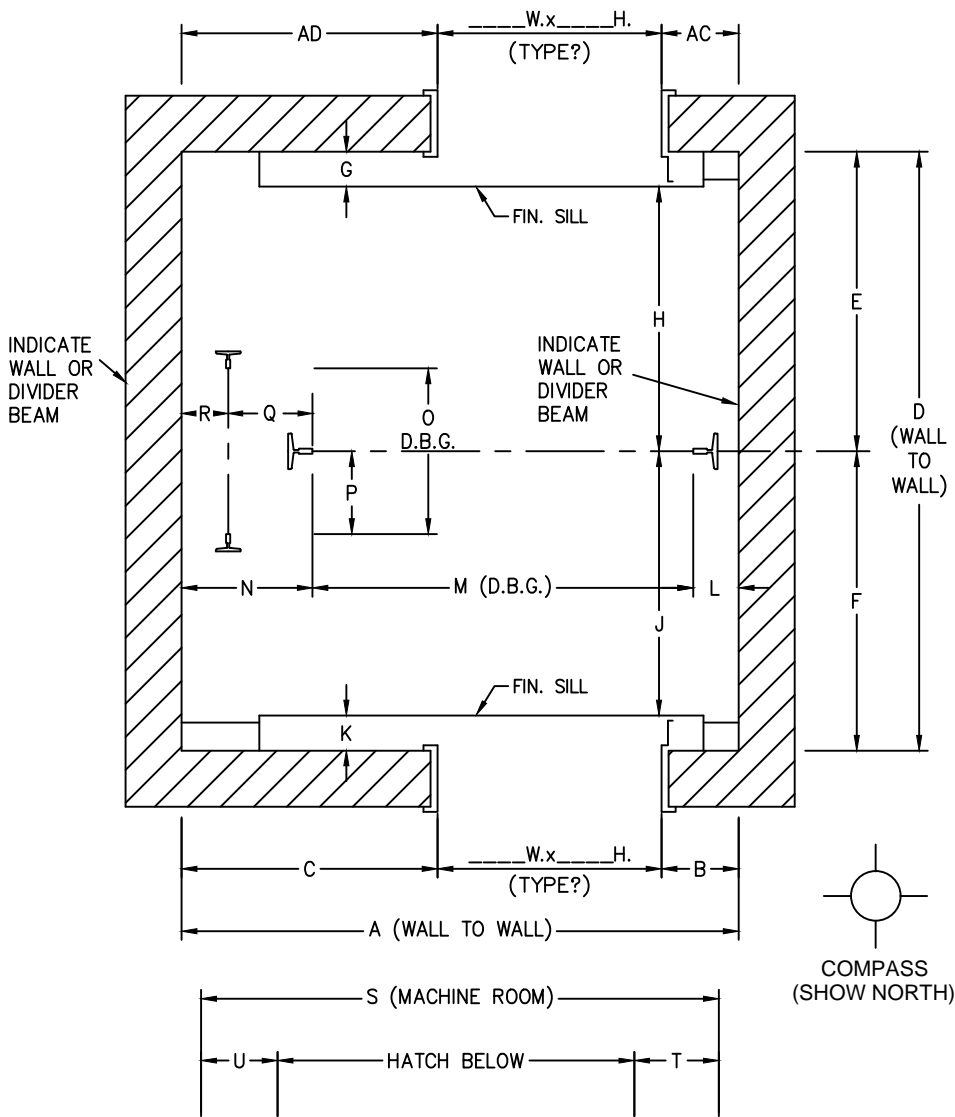
ELEV. CONTR. \_\_\_\_\_  
 JOB NAME \_\_\_\_\_  
 ELEVATOR NO. \_\_\_\_\_  
 H-W JOB NO. \_\_\_\_\_ DATE \_\_\_\_\_



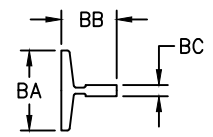
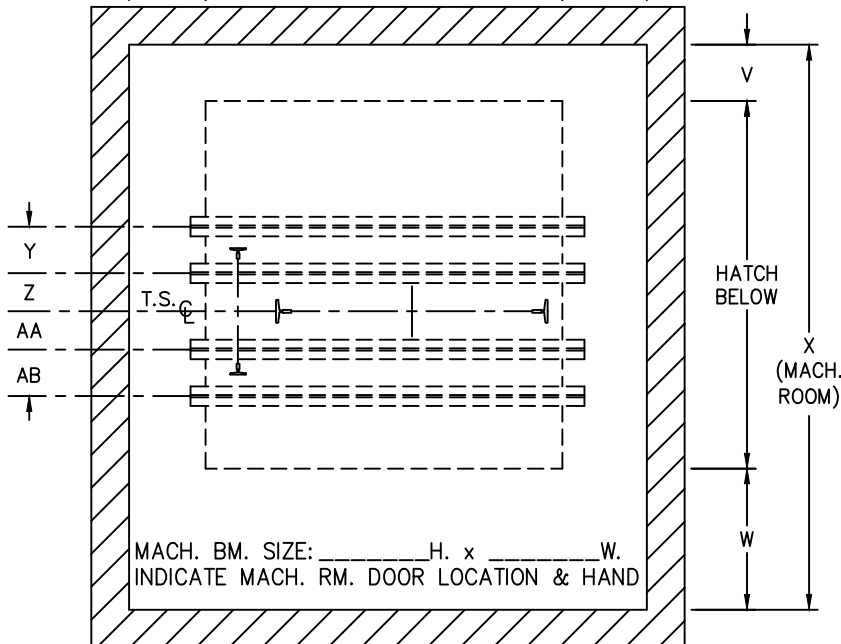
HOLLISTER-WHITNEY ELEVATOR CORP.  
 #1 Hollister-Whitney Parkway  
 Quincy, Illinois 62305  
 Ph. (217)222-0466 Fax (217)222-0493  
 email: engineering@hwec.com

E-172 EXISTING SHAFT SURVEY (SHT. 12)

DOUBLE OPENING -  
RIGHT HAND DOOR -  
CWT. ON LEFT

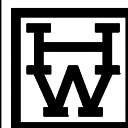


DIMENSIONS AT TIGHTEST POINT	
A	
B	
C	
D	
E	
F	
G	
H	
J	
K	
L	
M	
N	
O	
P	
Q	
R	
S	
T	
U	
V	
W	
X	
Y	
Z	
AA	
AB	
AC	
AD	



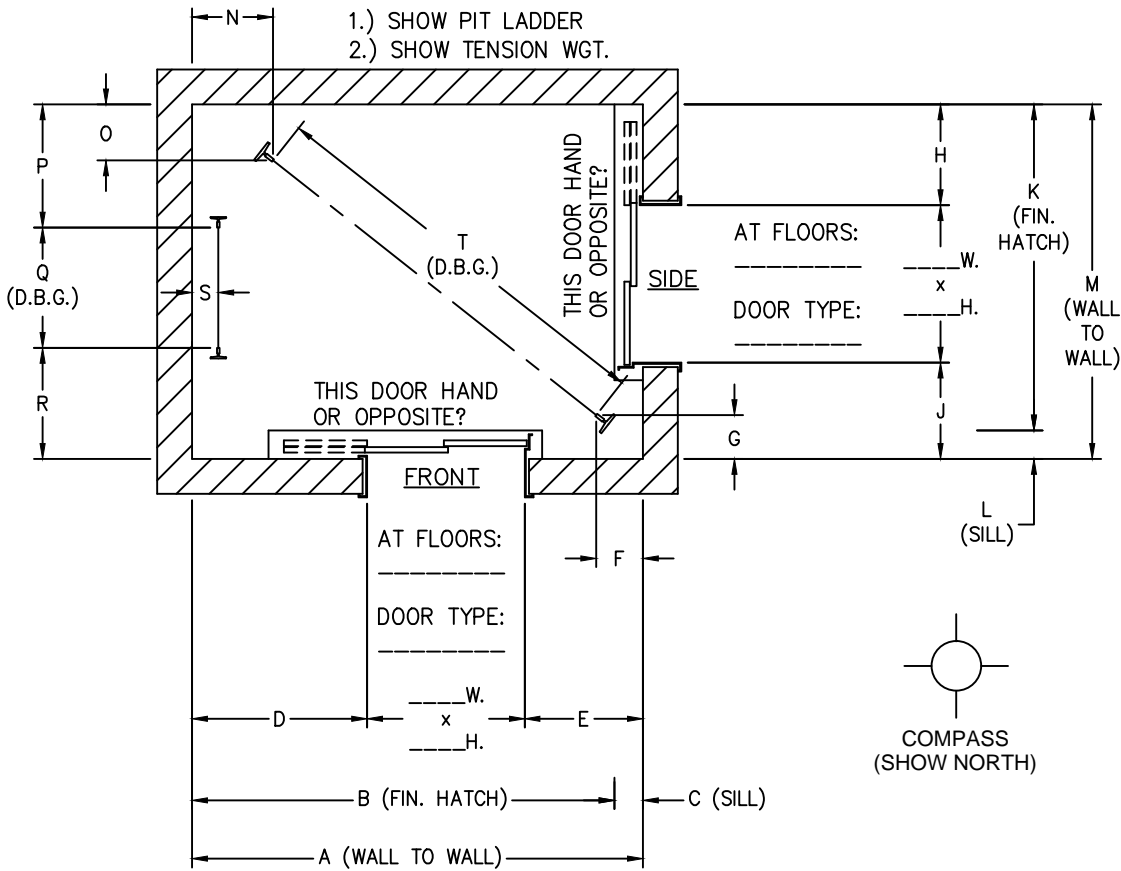
RAIL DIMENSIONS		
	CAR	CWT.
BA		
BB		
BC		
LB./FT.		

ELEV. CONTR. \_\_\_\_\_  
 JOB NAME \_\_\_\_\_  
 ELEVATOR NO. \_\_\_\_\_  
 H-W JOB NO. \_\_\_\_\_ DATE \_\_\_\_\_

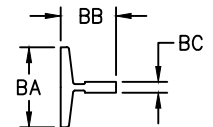
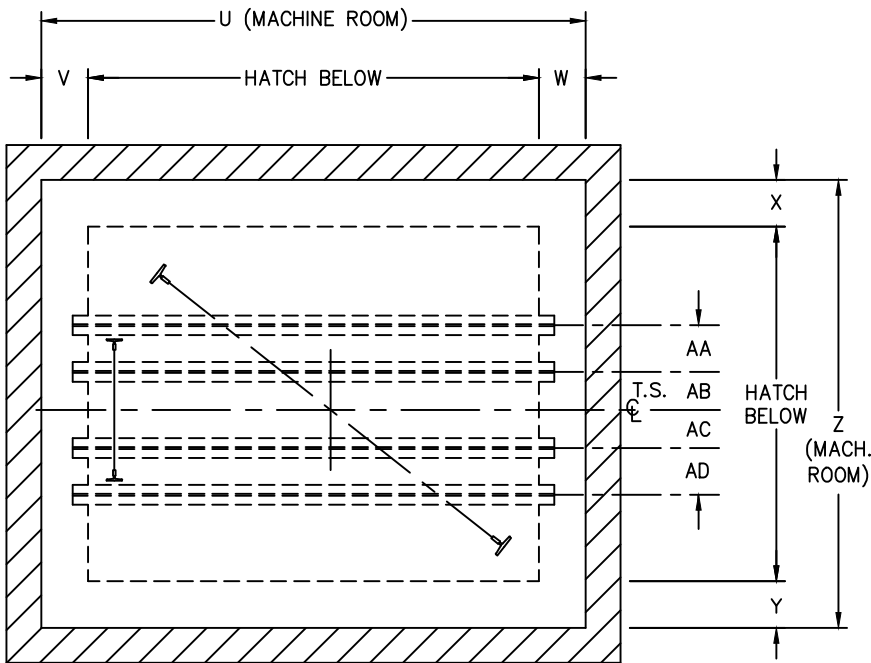


HOLLISTER-WHITNEY ELEVATOR CORP.  
 #1 Hollister-Whitney Parkway  
 Quincy, Illinois 62305  
 Ph. (217)222-0466 Fax (217)222-0493  
 email: engineering@hwec.com

CORNERPOST - FRONT AND RIGHT SIDE OPENINGS - CWT. ON LEFT



DIMENSIONS AT TIGHTEST POINT	
A	
B	
C	
D	
E	
F	
G	
H	
J	
K	
L	
M	
N	
O	
P	
Q	
R	
S	
T	
U	
V	
W	
X	
Y	
Z	
AA	
AB	
AC	
AD	



RAIL DIMENSIONS		
	CAR	CWT.
BA		
BB		
BC		
LB./FT.		

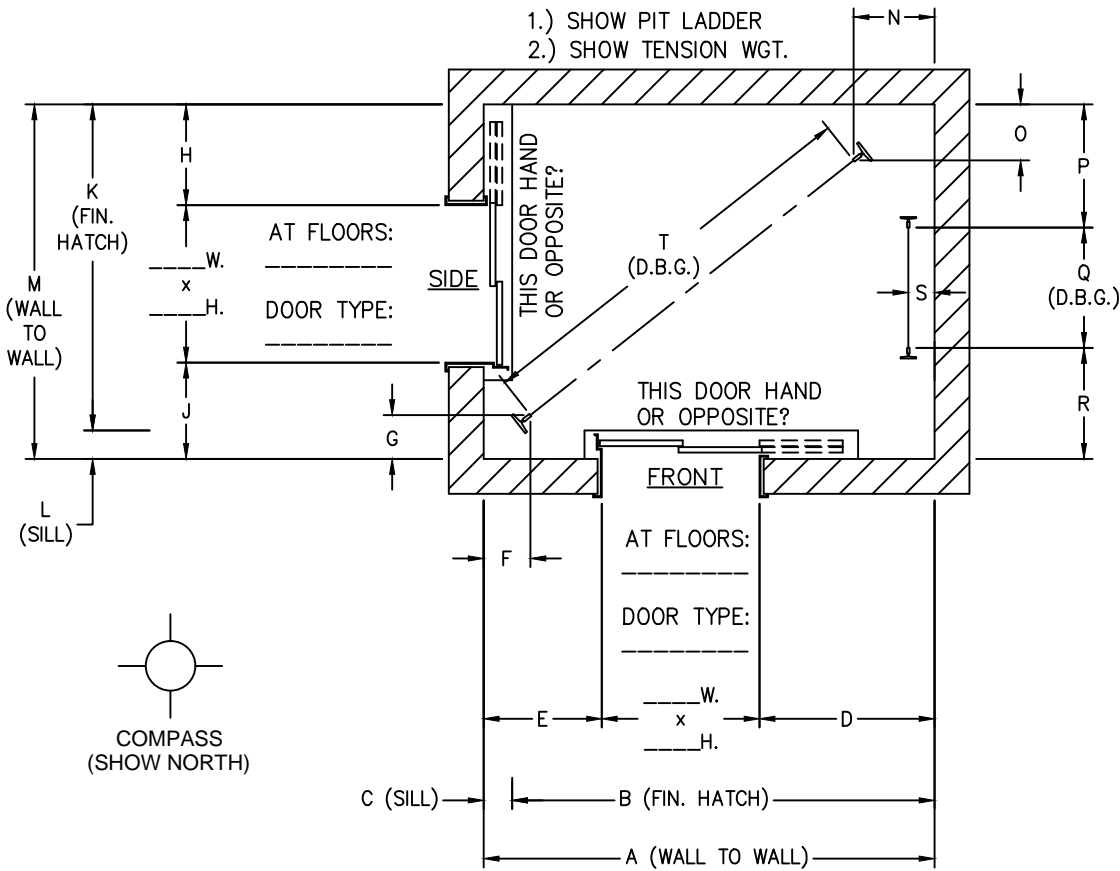
MACH. BM. SIZE: \_\_\_\_\_ H. x \_\_\_\_\_ W.  
INDICATE MACH. RM. DOOR LOCATION & HAND

ELEV. CONTR. \_\_\_\_\_  
 JOB NAME \_\_\_\_\_  
 ELEVATOR NO. \_\_\_\_\_  
 H-W JOB NO. \_\_\_\_\_ DATE \_\_\_\_\_

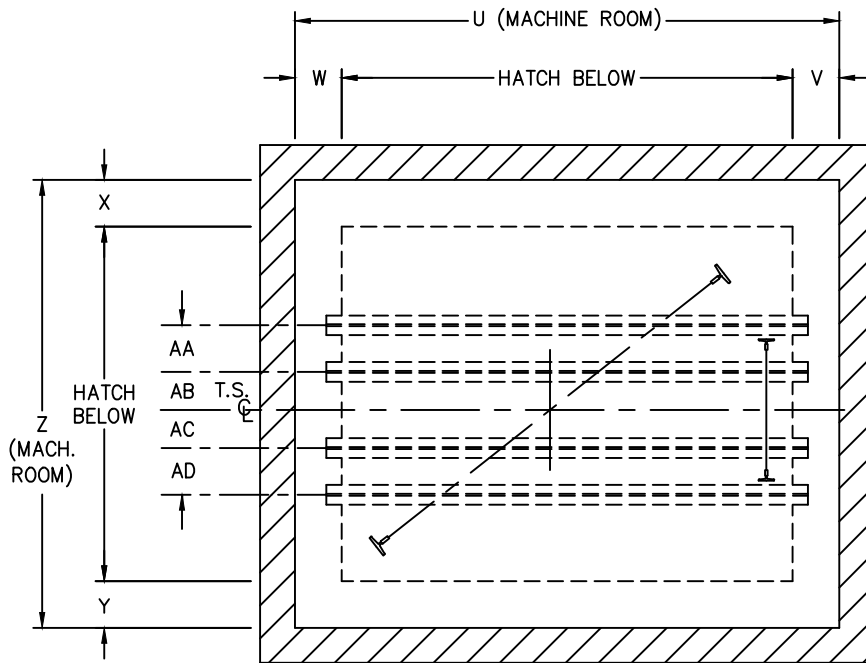


HOLLISTER-WHITNEY ELEVATOR CORP.  
 #1 Hollister-Whitney Parkway  
 Quincy, Illinois 62305  
 Ph. (217)222-0466 Fax (217)222-0493  
 email: engineering@hwec.com

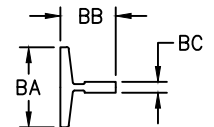
CORNERPOST - FRONT AND LEFT SIDE OPENINGS - CWT. ON RIGHT



DIMENSIONS AT TIGHTEST POINT	
A	
B	
C	
D	
E	
F	
G	
H	
J	
K	
L	
M	
N	
O	
P	
Q	
R	
S	
T	
U	
V	
W	
X	
Y	
Z	
AA	
AB	
AC	
AD	

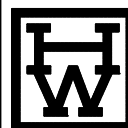


MACH. BM. SIZE: \_\_\_\_\_ H. x \_\_\_\_\_ W.  
INDICATE MACH. RM. DOOR LOCATION & HAND



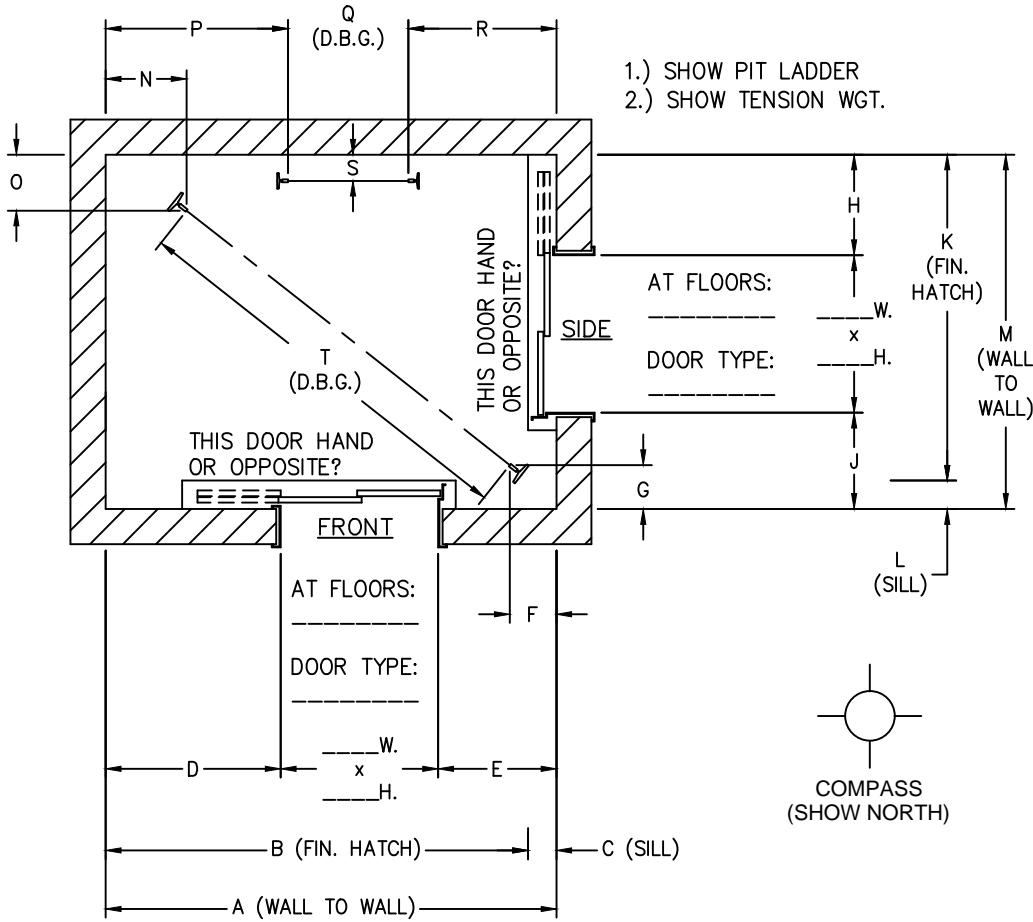
RAIL DIMENSIONS		
	CAR	CWT.
BA		
BB		
BC		
LB./FT.		

ELEV. CONTR. \_\_\_\_\_  
 JOB NAME \_\_\_\_\_  
 ELEVATOR NO. \_\_\_\_\_  
 H-W JOB NO. \_\_\_\_\_ DATE \_\_\_\_\_

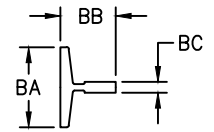
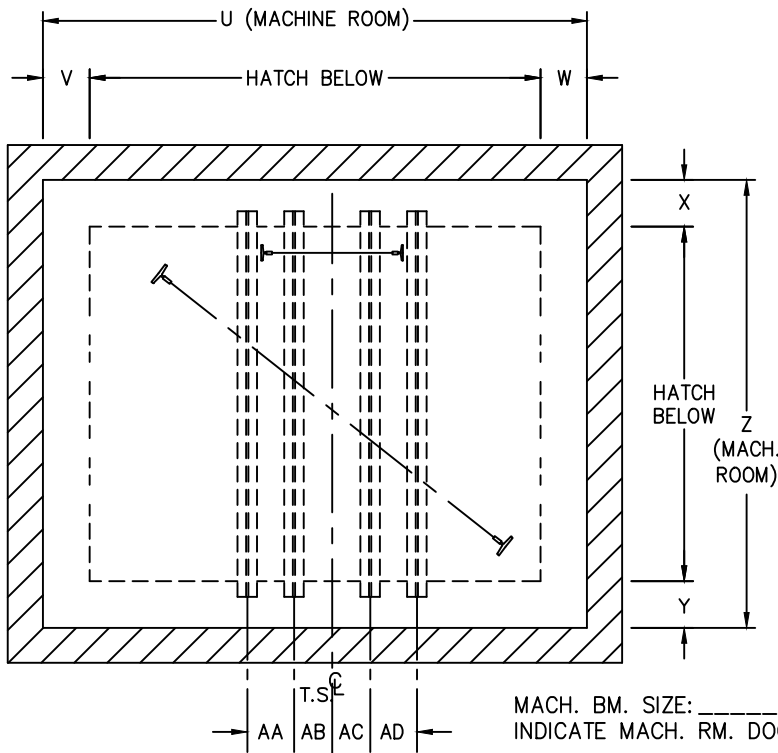


HOLLISTER-WHITNEY ELEVATOR CORP.  
 #1 Hollister-Whitney Parkway  
 Quincy, Illinois 62305  
 Ph. (217)222-0466 Fax (217)222-0493  
 email: engineering@hwec.com

CORNERPOST - FRONT AND RIGHT SIDE OPENINGS - CWT. AT REAR



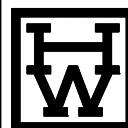
DIMENSIONS AT TIGHTEST POINT	
A	
B	
C	
D	
E	
F	
G	
H	
J	
K	
L	
M	
N	
O	
P	
Q	
R	
S	
T	
U	
V	
W	
X	
Y	
Z	
AA	
AB	
AC	
AD	



RAIL DIMENSIONS		
	CAR	CWT.
BA		
BB		
BC		
LB./FT.		

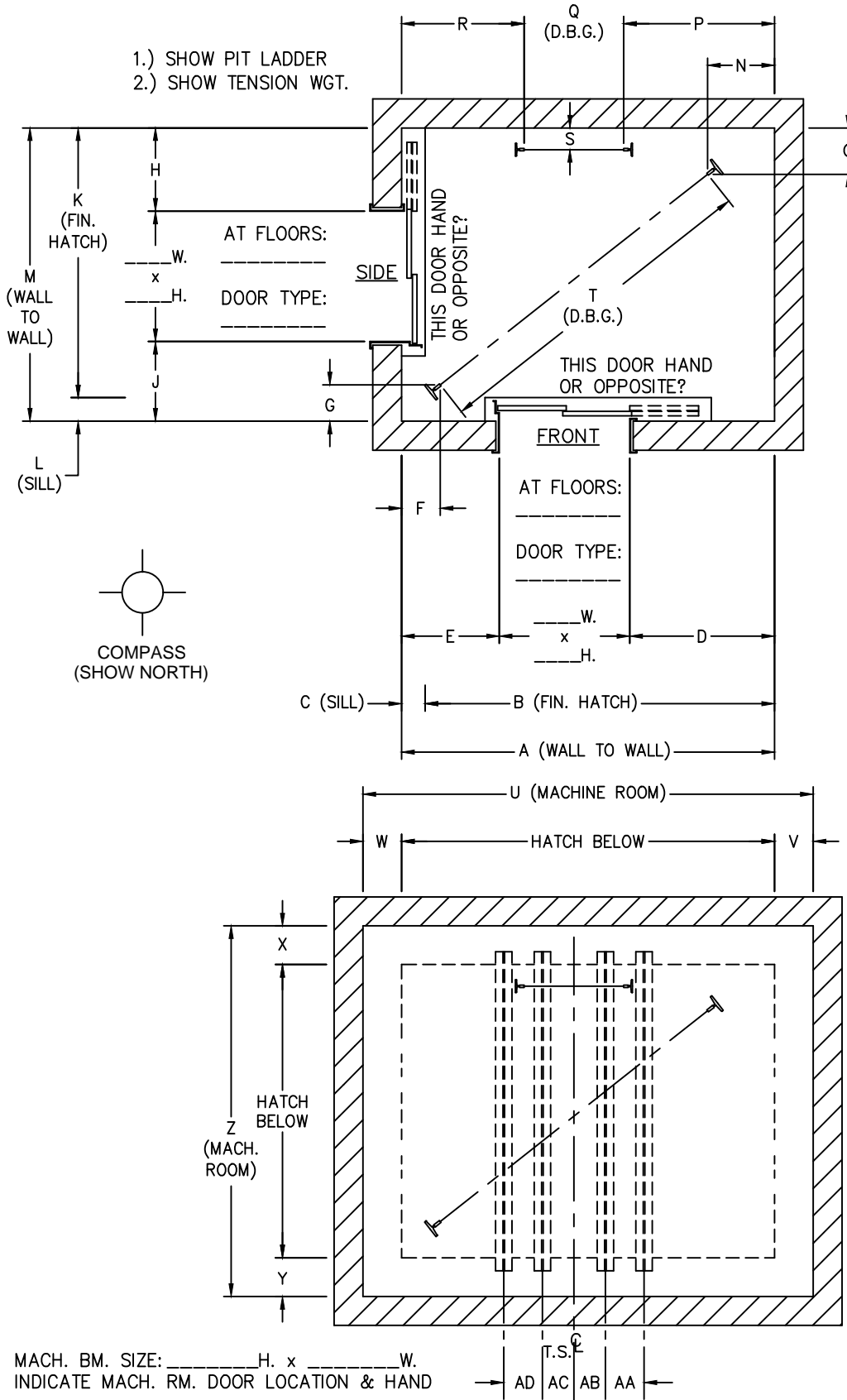
MACH. BM. SIZE: \_\_\_\_\_ H. x \_\_\_\_\_ W.  
INDICATE MACH. RM. DOOR LOCATION & HAND

ELEV. CONTR. \_\_\_\_\_  
 JOB NAME \_\_\_\_\_  
 ELEVATOR NO. \_\_\_\_\_  
 H-W JOB NO. \_\_\_\_\_ DATE \_\_\_\_\_

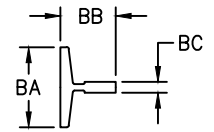


HOLLISTER-WHITNEY ELEVATOR CORP.  
 #1 Hollister-Whitney Parkway  
 Quincy, Illinois 62305  
 Ph. (217)222-0466 Fax (217)222-0493  
 email: engineering@hwec.com

CORNERPOST - FRONT AND LEFT SIDE OPENINGS - CWT. AT REAR

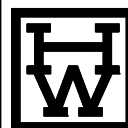


DIMENSIONS AT TIGHTEST POINT	
A	
B	
C	
D	
E	
F	
G	
H	
J	
K	
L	
M	
N	
O	
P	
Q	
R	
S	
T	
U	
V	
W	
X	
Y	
Z	
AA	
AB	
AC	
AD	



RAIL DIMENSIONS		
	CAR	CWT.
BA		
BB		
BC		
LB./FT.		

ELEV. CONTR. \_\_\_\_\_  
 JOB NAME \_\_\_\_\_  
 ELEVATOR NO. \_\_\_\_\_  
 H-W JOB NO. \_\_\_\_\_ DATE \_\_\_\_\_



HOLLISTER-WHITNEY ELEVATOR CORP.  
 #1 Hollister-Whitney Parkway  
 Quincy, Illinois 62305  
 Ph. (217)222-0466 Fax (217)222-0493  
 email: engineering@hwec.com