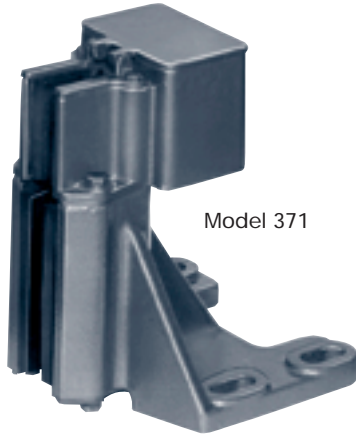


RIGID GUIDE SHOES

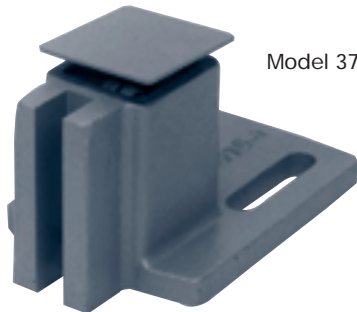
A complete line of heavy-duty rigid guide shoes with cast-iron liners and optional lubricator assemblies is available. Shoe assembly #371 will mount on a car sling with 5" stiles without needing shoe plates. The shoe assemblies #375 and #376 will mount on a standard H-W counterweight frame without needing shoe plates. All other shoes need shoe plates.



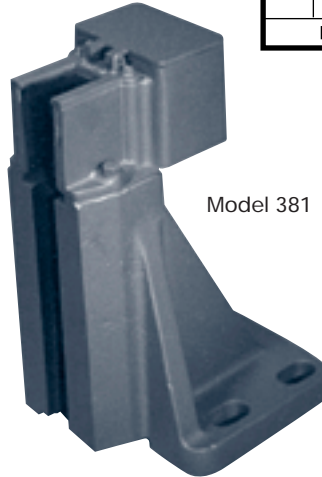
Model 371



Model 375



Model 376

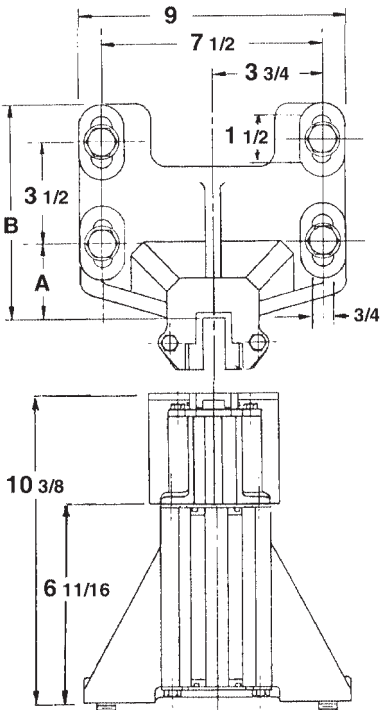


Model 381

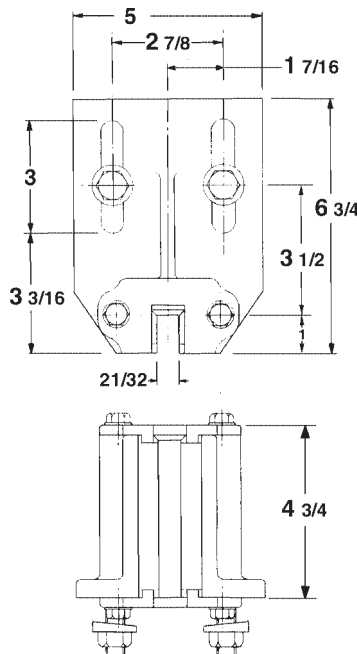
	WHERE USED MAX. CAPACITY	RAIL SIZE	SHOE TYPE	SHOE	LINER MATERIAL	WEIGHT SET OF 4
CAR	Pass or Frt. 6000# Cap.	5/8" Thru 1 1/4"	Rigid C.I.	371	6" Cast Iron	120#
	Freight 12000# Cap.	5/8" Thru 1 1/4"	Rigid C.S.	371	6" Cast Iron	124#
	Freight 20000# Cap.	1 1/8", 1 1/4"	Rigid C.I.	381	10" Cast Iron	250#
CWT.	8000#	5/8"	Rigid	375	4" Nylon or C.I.	40#
	12000#	5/8"	Rigid	376	No Liner	45#
Plates and mounting hardware for above						50#

MODEL 371 ONLY		
RAIL SIZE	"A"	"B"
8#	3 1/8	7 3/4
11# - 30#	2 1/2	7 1/8

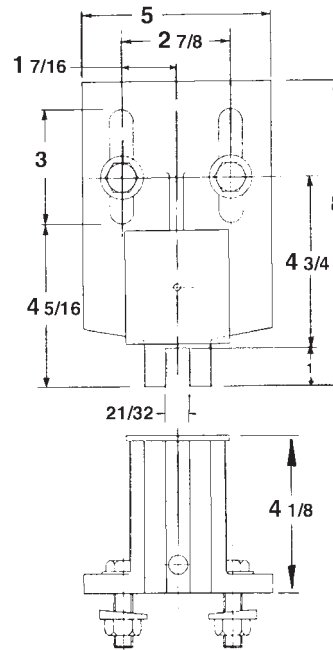
#371



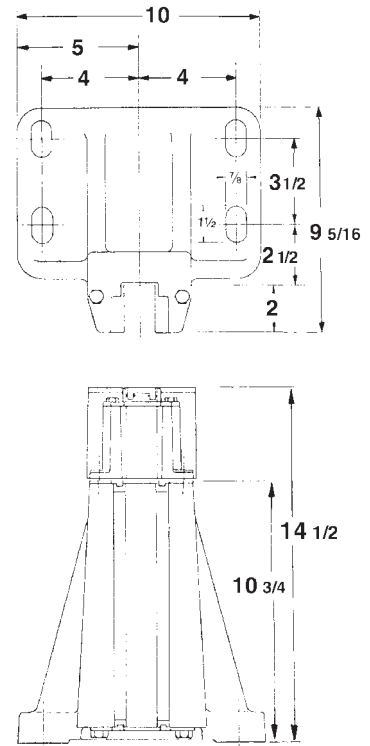
#375



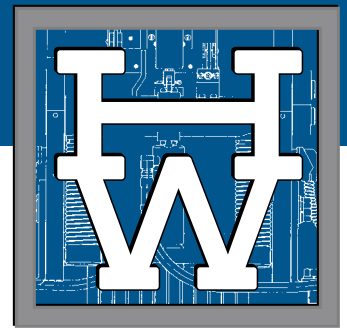
#376



#381

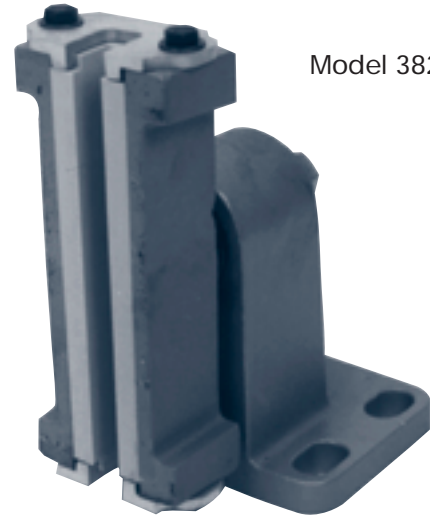


SWIVEL GUIDE SHOES

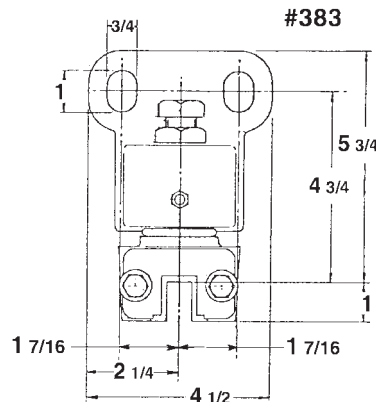
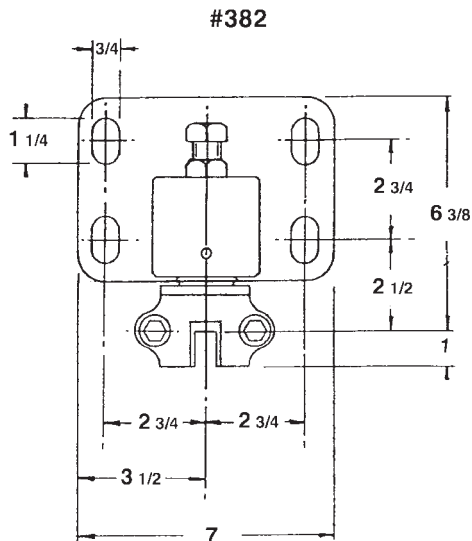


Hollister-Whitney offers lightweight swivel guide shoes with nylon liners that are top quality and very competitively priced. Model #383 will mount on a standard H-W counterweight frame without needing shoe plates. Model #382 shoe assembly requires shoe plates.

	WHERE USED MAX. CAPACITY	RAIL SIZE	SHOE TYPE	SHOE	LINER MATERIAL	WEIGHT SET OF 4
CAR	Pass or Class A 10000# Cap.	5/8"	Swivel	382	8 1/2" Nylon or C.I.	115#
CWT.	10000#	5/8"	Swivel	383	5 1/2" Nylon	40#
Plates and mounting hardware for above						50#



Model 382



Model 383

