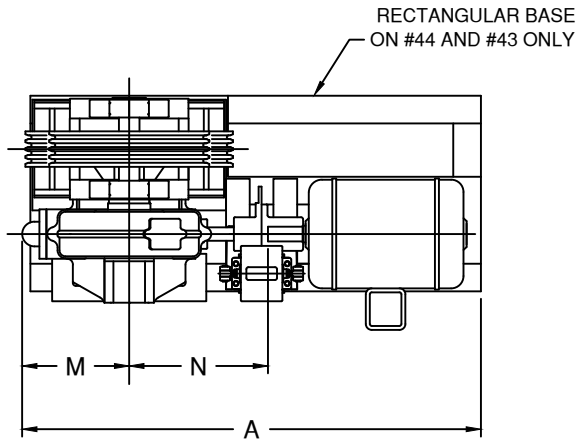
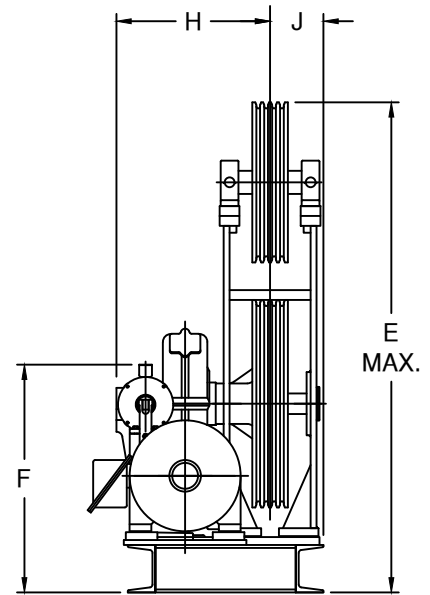
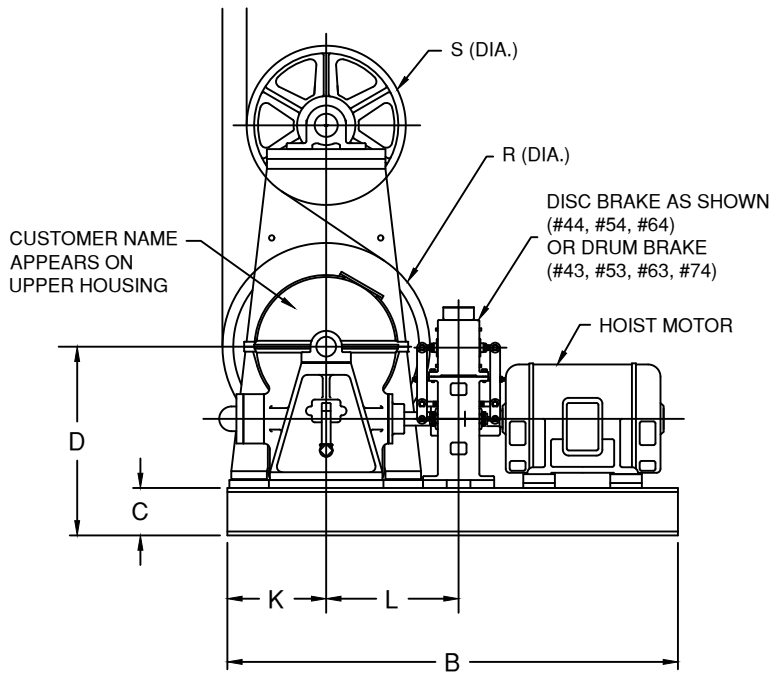


O.D. BASEMENT SET TRACTION MACHINE DIMENSIONS

MACH.	BRAKE	A	B	C	D	E	F	H	J	K	L	M	N	R (DIA.)		S (DIA.)	
														MIN.	MAX.	MIN.	MAX.
#44 O.D.	#102 DISC	58 3/8	57	6	23 7/8	64 1/8	28 7/8	20	6 3/4	12 1/2	15 5/16	13 7/8	17 9/16	20	28	20	25
#43 O.D.	#90 DRUM	58 3/8	57	6	23 7/8	64 1/8	36 3/4	20	6 3/4	12 1/2	16 3/4	13 7/8	17 1/2	20	28	20	25
#54 O.D.	#102 DISC	67 1/4	62	6	26 3/4	70 7/8	30 5/8	23 3/4	7 1/8	9 1/2	15 5/8	14 3/4	17 3/4	20	30	20	25
#53 O.D.	#100 DRUM	67 1/4	62	6	26 3/4	70 7/8	39	23 3/4	7 1/8	9 1/2	19	14 3/4	19 1/2	20	30	20	25
#64 O.D.	#112 DISC	72 3/4	66	8	33 1/4	79 3/8	34 1/2	25 1/2	8 1/8	11 1/2	17 5/8	18 1/4	19 7/8	25	36	20	25
#63 O.D.	#110 DRUM	72 3/4	66	8	33 1/4	79 3/8	45	25 1/2	8 1/8	11 1/2	23 3/8	18 1/4	24 3/8	25	36	20	25
#74 O.D.	#120 DRUM	82 7/8	76	10	41 3/8	90 1/2	48 5/8	31 1/2	10 3/4	12 1/2	23 5/8	19 3/8	24 3/4	32	38	25	26



RIGHT HAND MACHINES SHOWN,  
LEFT HAND MACHINE SYMMETRICALLY  
OPPOSITE ABOUT C OF TRACTION SHEAVE



HOLLISTER-WHITNEY  
ELEVATOR CO. LLC  
QUINCY ILLINOIS

1-11-14

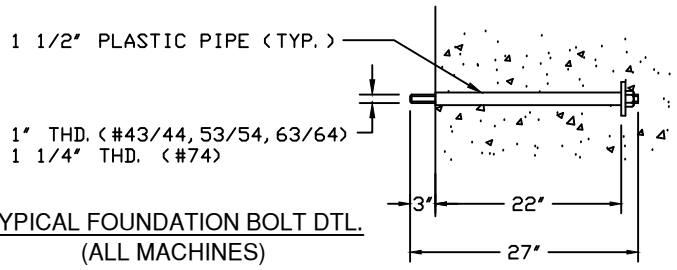
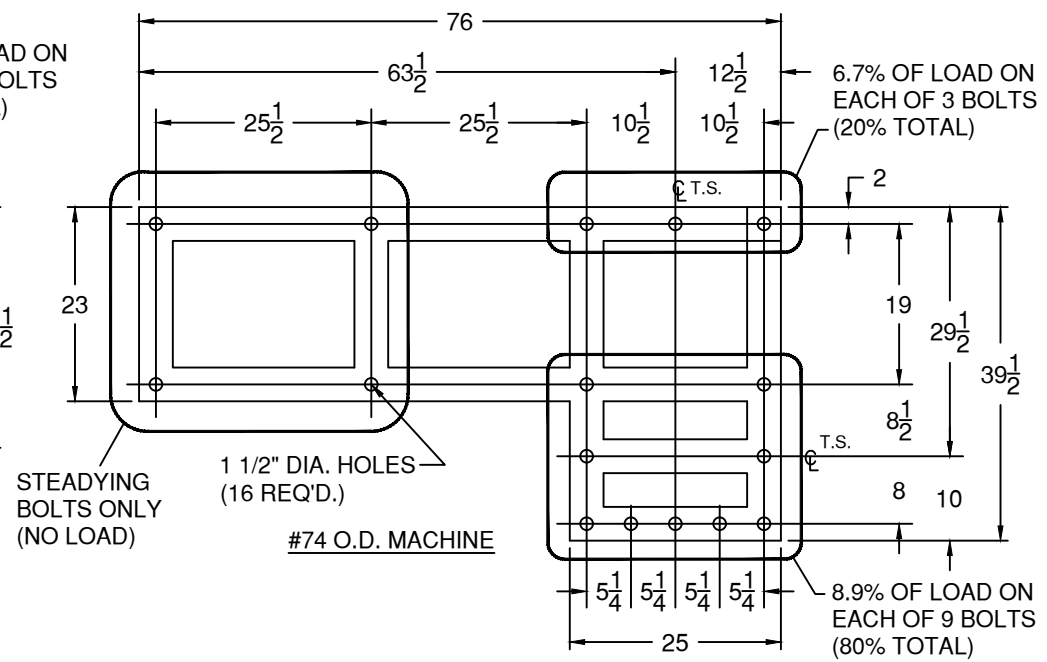
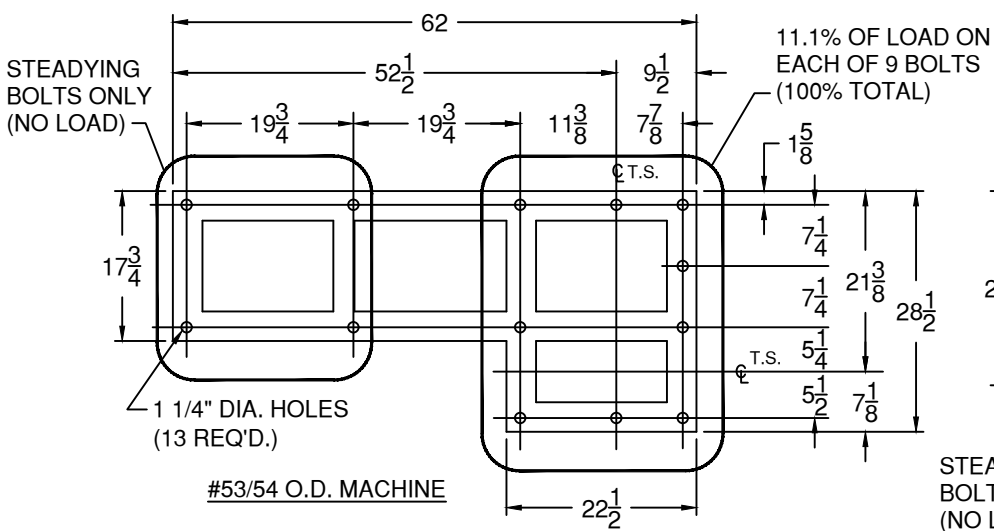
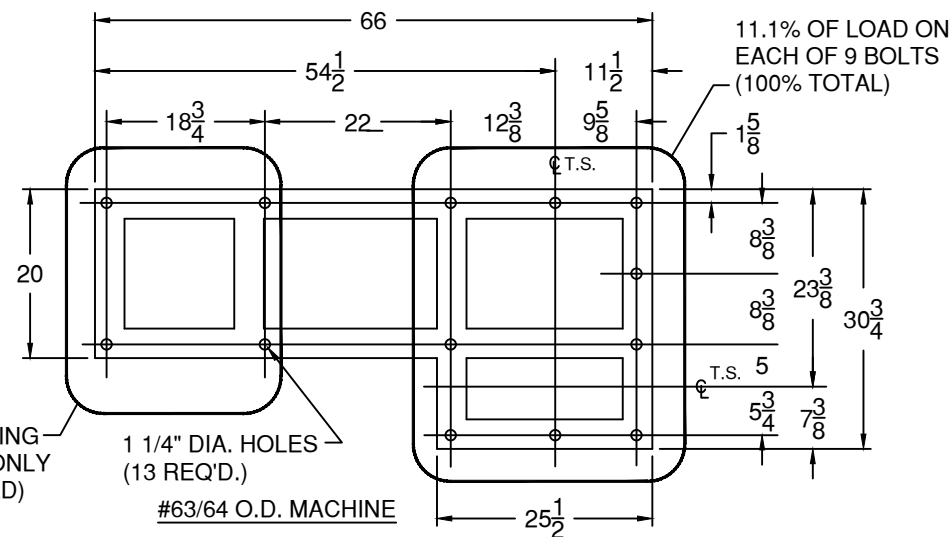
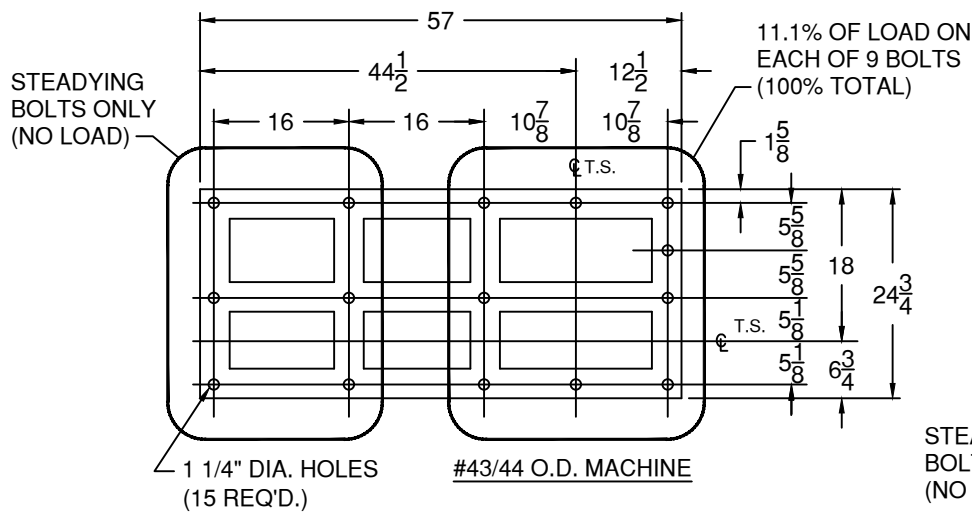
4-25-05

1-30-04

O.D. BASEMENT SET TRACTION  
MACHINES

DIMENSIONAL  
SHEET

1111



RIGHT HAND MACHINES SHOWN,  
LEFT HAND MACHINE SYMMETRICALLY  
OPPOSITE ABOUT  $\phi$  OF TRACTION SHEAVE

	HOLLISTER-WHITNEY ELEVATOR CORPORATION QUINCY ILLINOIS	
	O.D. BASEMENT SET MACHINE FOUNDATION BOLT LOADING DIAGRAM	
4-10-06	BULLETIN	NO. 1111-FB