

ENGINEERING CONTACT: _____
 COMPANY: _____
 EMAIL: _____
 FAX NO: _____

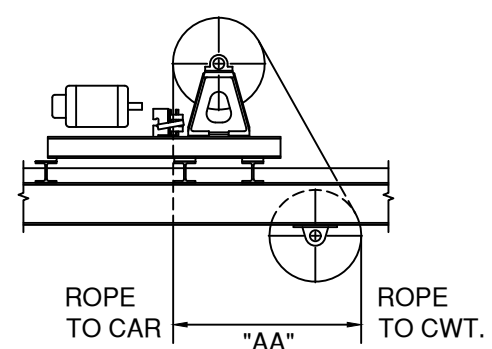
JOB NAME: _____
 ELEV. #: _____ H-W #: _____
 FROM (H-W): _____
 DATE: _____

**INFORMATION REQUIRED TO MANUFACTURE
 GEARED OVERHEAD MACHINES**

**GEARED MACHINES-
 OVERHEAD APPLICATION**

**ENGINEERING INFORMATION:
 WE REQUIRE ALL MARKED ITEMS**

- CAPACITY: _____
- CAR SPEED: _____
- EMPTY CAR WEIGHT: _____
- HAND OF MACHINE: LEFT RIGHT
- ROPING: 1:1 2:1
- TRAVEL: _____
- HOIST ROPES: QUANTITY _____ SIZE _____
- PITCH OF HOIST ROPES (C.L. TO C.L. OF GROOVES ON FACE OF TRACTION SHEAVE): _____
 (H-W STANDARD PITCH IS: ROPE DIAMETER + 1/4")
- CERTIFIED OUTLINE DIMENSION PRINTS OF MOTOR WITH FULL LOAD R.P.M. INCLUDED
- MOTOR POWER SUPPLY: _____ VOLTAGE
- FOR EXISTING MOTORS ONLY, PLEASE FILL IN DIMENSIONS ON ENCLOSED BULLETIN #1109
- ASME A17 CODE COMPLIANCE TO WHICH YEAR REVISION: _____
- PRE 2013 CODE SEISMIC ZONE: 1 2A 2B 3 4
- DO YOU HAVE AN EXISTING DEFLECTOR SHEAVE: YES NO
 IF NOT, WHAT DIAMETER TRACTION SHEAVE IS REQUIRED: _____
- DO THE HOIST ROPES DROP STRAIGHT DOWN TO THE CAR HITCH
 AS SHOWN IN SKETCH "A"? YES NO
- PROVIDE THE CAR TO CWT. ROPE DROP DISTANCE: _____
 (SEE SKETCH "A" - DIM. "AA")

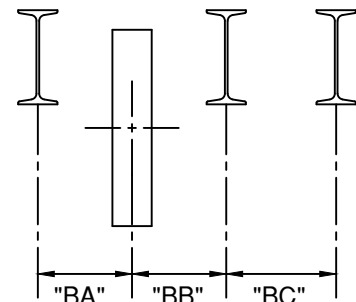


SKETCH "A"

SHEAVES

- HOIST ROPES: QUANTITY _____ SIZE _____
- PITCH OF HOIST ROPES: _____
- BEAM / CHANNEL SIZE: _____" HIGH x _____" WIDE
- BEAM SPACING (SEE SKETCH "B" - DIM. "BA", "BB" & "BC")
- IF DEFLECTOR MOUNTING IN MACHINE ROOM SEE ATTACHED SURVEY E-147

SKETCH "B"



MACHINE ISOLATION

- IS FLOOR SLAB EXISTING? YES NO
- FLOOR SLAB THICKNESS: _____
 ABOVE THE MACHINE BEAMS YES NO
- BEAM / CHANNEL SIZE: _____" HIGH x _____" WIDE
- BEAM SPACING (SEE SKETCH "B" - DIM. "BA", "BB" & "BC")

ENGINEERING CONTACT: _____
 COMPANY: _____
 EMAIL: _____
 FAX NO: _____

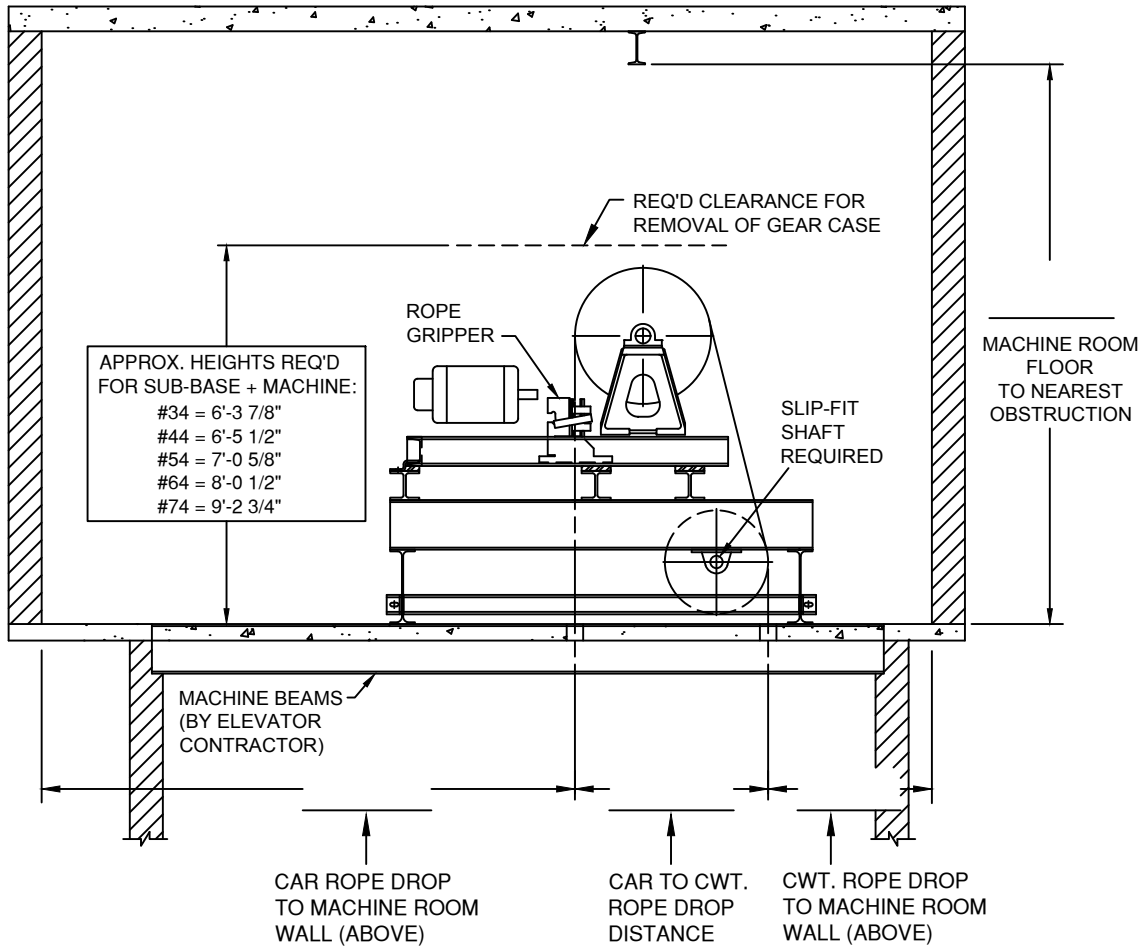
JOB NAME: _____
 ELEV. #: _____ H-W #: _____
 FROM (H-W): _____
 DATE: _____

INFORMATION REQUIRED TO MANUFACTURE GEARED MACHINE BLOCK-UP ASSEMBLY

INSTRUCTIONS:

1. FILL IN OPEN DIMENSIONS IN SKETCH BELOW.
2. EMPTY CAR WEIGHT: _____
3. PROVIDE MACHINE ROOM PLAN SKETCH.
 - a. SHOW LOCATION OF CAR AND CWT. RAILS.
 - b. PROVIDE MACHINE BEAM SPACING LOCATING CENTERLINE SHEAVE TO CENTERLINE OF MACHINE BEAMS.
 - c. MACHINE BEAM SIZE _____ HIGH x _____ WIDE

**ENGINEERING INFORMATION:
 WE REQUIRE ALL MARKED ITEMS**



ENGINEERING CONTACT: _____ JOB NAME: _____
 COMPANY: _____ ELEV. #: _____ H-W #: _____
 EMAIL: _____ FROM (H-W): _____
 FAX NO: _____ DATE: _____

**INFORMATION REQUIRED TO MANUFACTURE
 GEARLESS OVERHEAD MACHINES**

**GEARLESS MACHINES-
 OVERHEAD APPLICATION**

**ENGINEERING INFORMATION:
 WE REQUIRE ALL MARKED ITEMS**

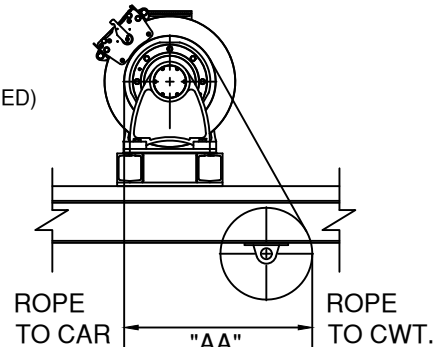
- CAPACITY: _____
- CAR SPEED: _____
- EMPTY CAR WEIGHT: _____
- ROPING: 1:1 2:1
- TRAVEL: _____
- HOIST ROPES: QUANTITY _____ SIZE _____
- PITCH OF HOIST ROPES (C.L. TO C.L. OF GROOVES ON FACE OF TRACTION SHEAVE): _____
- ARE YOU RETAINING AN EXISTING DEFLECTOR SHEAVE: YES DIA. _____ NO
 IF NOT, WHAT DIAMETER TRACTION SHEAVE IS REQUIRED: 15"DIA. 20"DIA. 25"DIA.
- PROVIDE THE CAR TO CWT. ROPE DROP DISTANCE (SEE SKETCH "A" - DIM "AA"): _____
- MACHINE POWER SUPPLY: _____ VOLTAGE
- CONTROLLER MANUFACTURER: _____
- DRIVE MANUFACTURER: KEB MAGNETEK OTHER (CABLE BY CUSTOMER)
- IS MANUAL BRAKE RELEASE CABLE REQUIRED? YES NO
 IF SO, SPECIFY LENGTH (STANDARD IS 8'-0"): _____
 (IF USING G.A.L. CONTROL, CONFIRM WITH THEM IF BRAKE RELEASE CABLE IS REQUIRED)
- ENCODER CABLE LENGTH (STANDARD IS 20 METER [65.6']): _____
- ASME A17 CODE COMPLIANCE TO WHICH YEAR REVISION: _____
- PRE 2013 CODE SEISMIC ZONE: 1 2A 2B 3 4

SHEAVES

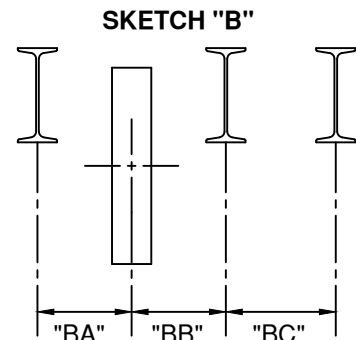
- HOIST ROPES: QUANTITY _____ SIZE _____
- PITCH OF HOIST ROPES: _____
- BEAM SPACING (SEE SKETCH "B" - DIMENSION "BA", "BB" & "BC")
- IF DEFLECTOR MOUNTING IN MACHINE ROOM SEE ATTACHED SURVEY E-147

MACHINE ISOLATION

- IS FLOOR SLAB EXISTING? YES NO
- FLOOR SLAB THICKNESS: _____
 ABOVE THE MACHINE BEAMS YES NO
- BEAM / CHANNEL SIZE: _____ " HIGH x _____ " WIDE
- BEAM SPACING (SEE SKETCH "B" - DIMENSION "BA", "BB" & "BC")



SKETCH "A"



SKETCH "B"

ENGINEERING CONTACT: _____
 COMPANY: _____
 EMAIL: _____
 FAX NO: _____

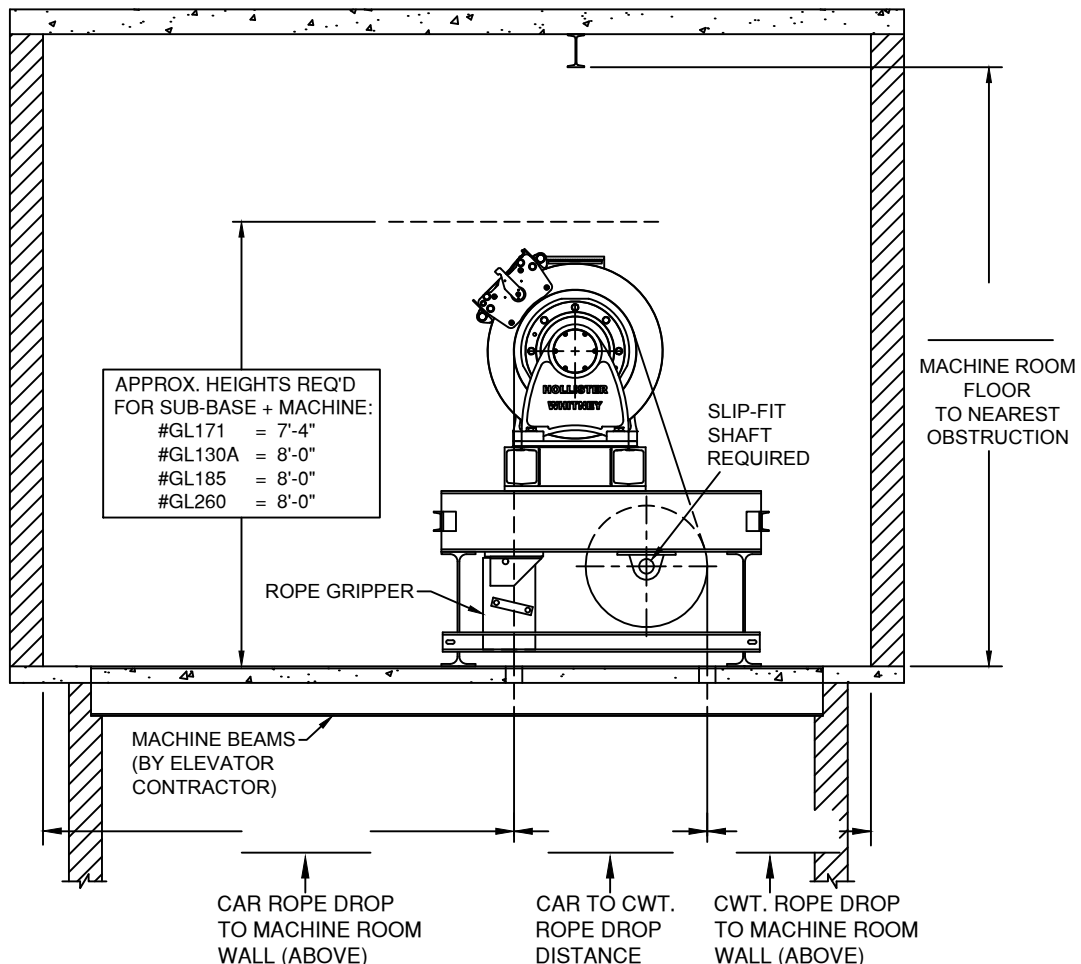
JOB NAME: _____
 ELEV. #: _____ H-W #: _____
 FROM (H-W): _____
 DATE: _____

INFORMATION REQUIRED TO MANUFACTURE GEARLESS MACHINE BLOCK-UP ASSEMBLY

INSTRUCTIONS:

1. FILL IN OPEN DIMENSIONS IN SKETCH BELOW.
2. EMPTY CAR WEIGHT: _____
3. HAND OF BLOCK-UP ASSEMBLY: LEFT RIGHT
 LEFT HAND - DEFLECTOR TO LEFT OF MACHINE WHEN LOOKING AT TRACTION SHEAVE (OPPOSITE OF ABOVE)
 RIGHT HAND - DEFLECTOR TO RIGHT OF MACHINE WHEN LOOKING AT TRACTION SHEAVE (AS SHOWN ABOVE)
4. PROVIDE MACHINE ROOM PLAN SKETCH.
 - a. SHOW LOCATION OF CAR AND CWT. RAILS.
 - b. PROVIDE MACHINE BEAM SPACING LOCATING CENTERLINE SHEAVE TO CENTERLINE OF MACHINE BEAMS.
 - c. MACHINE BEAM SIZE _____ HIGH x _____ WIDE

**ENGINEERING INFORMATION:
 WE REQUIRE ALL MARKED ITEMS**



ENGINEERING CONTACT: _____
 COMPANY: _____
 EMAIL: _____
 FAX NO: _____

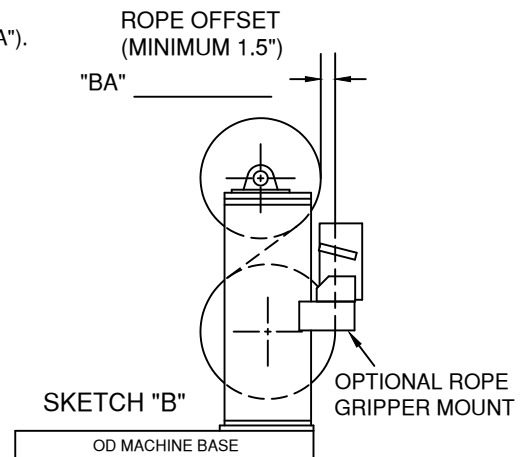
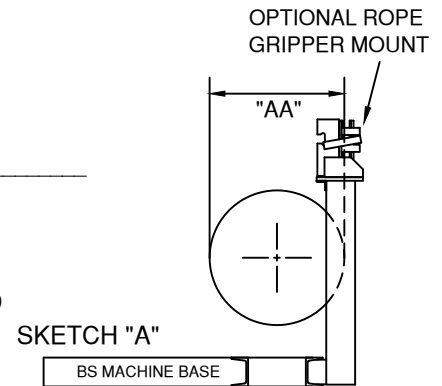
JOB NAME: _____
 ELEV. #: _____ H-W #: _____
 FROM (H-W): _____
 DATE: _____

INFORMATION REQUIRED TO MANUFACTURE GEARED BASEMENT SET MACHINES

GEARED MACHINES- BASEMENT APPLICATION

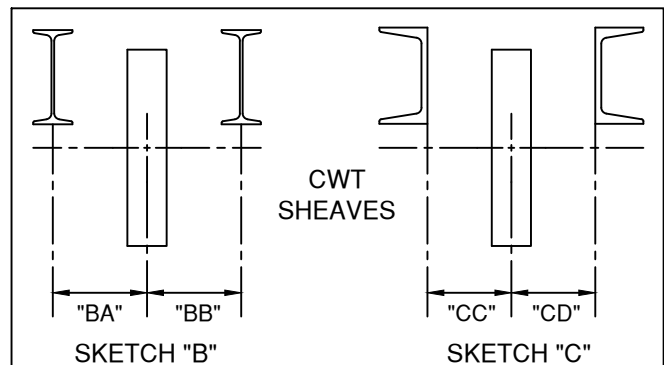
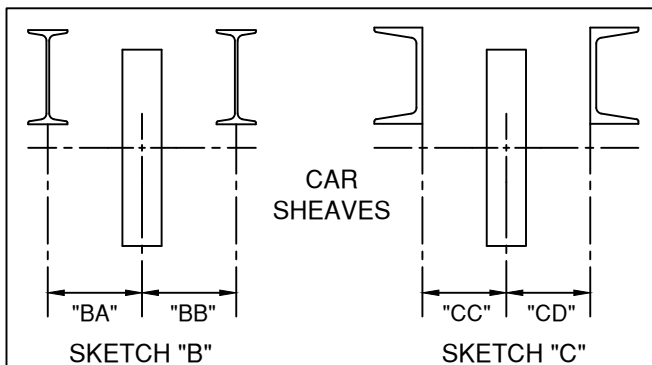
- CAPACITY: _____
- CAR SPEED: _____
- EMPTY CAR WEIGHT: _____
- HAND OF MACHINE: LEFT RIGHT
- ROPING: 1:1 2:1
- TRAVEL: _____
- HOIST ROPES: QUANTITY _____ SIZE _____
- PITCH OF HOIST ROPES (C.L. TO C.L. OF GROOVES ON FACE OF TRACTION SHEAVE): _____
 (H-W STANDARD PITCH IS: ROPE DIAMETER + 1/4")
- CERTIFIED OUTLINE DIMENSION PRINTS OF MOTOR WITH FULL LOAD R.P.M. INCLUDED
- MOTOR POWER SUPPLY: _____ VOLTAGE
- FOR EXISTING MOTORS ONLY, PLEASE FILL IN DIMENSIONS ON ENCLOSED BULLETIN #1109
- ASME A17 CODE COMPLIANCE TO WHICH YEAR REVISION: _____
- PRE 2013 CODE SEISMIC ZONE: 1 2A 2B 3 4
- "BS" BASEMENT MACHINES, WHAT TRACTION SHEAVE DIAMETER IS REQUIRED: _____
 (SEE SKETCH "A" - DIMENSION "AA")
- "OD" BASEMENT MACHINES, PROVIDE ROPE OFFSET (SEE SKETCH "B" - DIMENSION "BA").
- IS ROPE GRIPPER MOUNTING REQUIRED ON THE MACHINE: YES NO

**ENGINEERING INFORMATION:
 WE REQUIRE ALL MARKED ITEMS**



SHEAVES (OVERHEAD/CAR/CWT.)

- QUANTITY: CAR SHEAVES _____ CWT. SHEAVES _____
- DIAMETER: CAR SHEAVES _____ CWT. SHEAVES _____
- HOIST ROPES: QUANTITY _____
- HOIST ROPES: SIZE _____
- PITCH OF HOIST ROPES: _____
- CAR BEAM / CHANNEL SIZE: _____" HIGH x _____" WIDE
- CWT BEAM / CHANNEL SIZE: _____" HIGH x _____" WIDE
- CAR & CWT BEAM / CHANNEL SPACING :
- BEAMS - SKETCH "B" - DIMENSIONS "BA"/ "BB"
- CHANNELS - SKETCH "C" - DIMENSIONS "CC"/ "CD"



ENGINEERING CONTACT: _____
 COMPANY: _____
 EMAIL: _____
 FAX NO: _____

JOB NAME: _____
 ELEV. #: _____ H-W #: _____
 FROM (H-W): _____
 DATE: _____

INFORMATION REQUIRED TO MANUFACTURE GEARLESS BASEMENT MACHINES

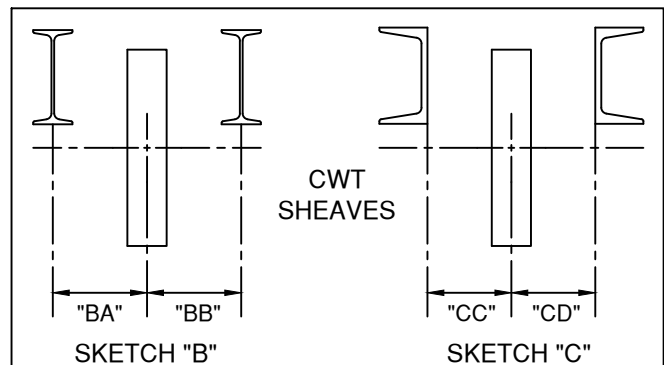
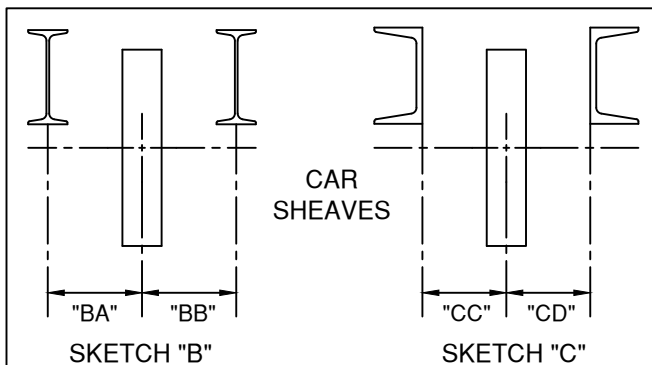
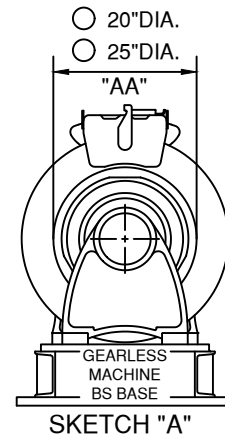
GEARLESS MACHINES- BASEMENT APPLICATION

- CAPACITY: _____
- CAR SPEED: _____
- EMPTY CAR WEIGHT: _____
- ROPING: 1:1 2:1
- TRAVEL: _____
- HOIST ROPES: QUANTITY _____ SIZE _____
- PITCH OF HOIST ROPES (C.L. TO C.L. OF GROOVES ON FACE OF TRACTION SHEAVES): _____
 (H-W STANDARD PITCH IS: ROPE DIAMETER + 1/4")
- MACHINE POWER SUPPLY: _____ VOLTAGE
- CONTROLLER MANUFACTURER: _____
- DRIVE MANUFACTURER: KEB MAGNETEK OTHER (CABLE BY CUSTOMER)
- IS MANUAL BRAKE RELEASE CABLE REQUIRED? YES NO
- IF SO, SPECIFY LENGTH (STANDARD IS 8'-0"): _____
 (IF USING G.A.L. CONTROL, CONFIRM WITH THEM IF BRAKE RELEASE CABLE IS REQUIRED)
- ENCODER CABLE LENGTH (STANDARD IS 20 METER [65.6']): _____
- ASME A17 CODE COMPLIANCE TO WHICH YEAR REVISION: _____
- PRE 2013 CODE SEISMIC ZONE: 1 2A 2B 3 4
- WHAT TRACTION SHEAVE DIAMETER IS REQUIRED (SEE SKETCH "A" - DIM. "AA") :

**ENGINEERING INFORMATION:
 WE REQUIRE ALL MARKED ITEMS**

SHEAVES (OVERHEAD/CAR/CWT.)

- QUANTITY: CAR SHEAVES _____ CWT. SHEAVES _____
 - DIAMETER: CAR SHEAVES _____ CWT. SHEAVES _____
 - HOIST ROPES: QUANTITY _____
 - HOIST ROPES: SIZE _____
 - PITCH OF HOIST ROPES: _____
 - CAR BEAM / CHANNEL SIZE: _____" HIGH x _____" WIDE
 - CWT BEAM / CHANNEL SIZE: _____" HIGH x _____" WIDE
 - CAR & CWT BEAM / CHANNEL SPACING :
- BEAMS - SKETCH "B" - DIMENSIONS "BA"/ "BB"
 CHANNELS - SKETCH "C" - DIMENSIONS "CC"/ "CD"



ENGINEERING CONTACT: _____
 COMPANY: _____
 EMAIL: _____
 FAX NO: _____

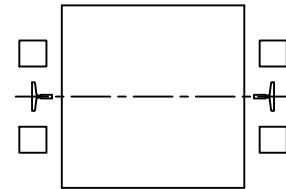
JOB NAME: _____
 ELEV. #: _____ H-W #: _____
 FROM (H-W): _____
 DATE: _____

**INFORMATION REQUIRED TO MANUFACTURE
 SMALL COMPONENTS**

SAFETIES

- EMPTY CAR WEIGHT: _____
- CAPACITY: _____
- COMPENSATION WEIGHT (IF APPLICABLE): _____
- CAR SPEED: _____
- FACE TO FACE OF GUIDE RAILS: _____
- RAIL SIZE (IN LBS.): _____
- GOVERNOR LOCATION (SHOW ON SKETCH "D")
- STILE SIZE: _____

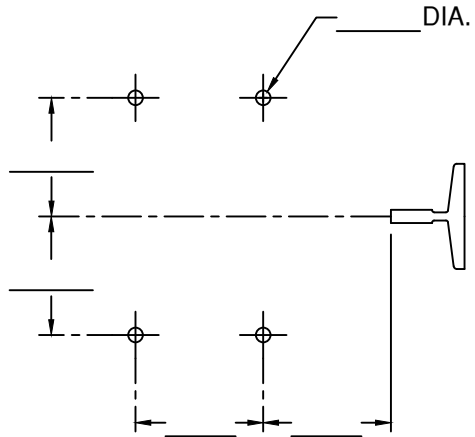
**ENGINEERING INFORMATION:
 WE REQUIRE ALL MARKED ITEMS**



FRONT
SKETCH "D"

GOVERNORS

- CAR SPEED: _____
- TRIPPING SPEED: _____
- SHEAVE DIAMETER: 12"DIA. 16"DIA.
- GOVERNOR ROPE DIAMETER: 3/8"DIA. 1/2"DIA.
- GOVERNOR PULL-THRU (IN LBS.): _____ OR
 TYPE OF EXIST. SAFETY (DRUM, GRADUAL, ETC.): _____
- HAND OR LOCATION (SHOW ON SKETCH "D")
- LIVE SHAFT DIAMETER: 12mm 0.25" 0.75" 1.00"



SKETCH "E"

TENSION WEIGHTS

- RAIL SIZE (IN LBS.): _____
- SHEAVE DIAMETER: 12"DIA. 16"DIA.
- GOVERNOR ROPE DIAMETER: 3/8"DIA. 1/2"DIA.

SHOES AND PLATES

- SHOE TYPE: _____ MANUFACTURER: _____
- RAIL SIZE (IN LBS.): _____
- TEMPLATE (FILL IN ALL DIMENSIONS ON SKETCH "E")

ROPE GRIPPERS

- EMPTY CAR WEIGHT: _____
- CAPACITY: _____
- COMPENSATION WEIGHT (IF APPLICABLE): _____
- CAR SPEED: _____
- ROPING: 1:1 2:1
- HOIST ROPES: QUANTITY _____ SIZE _____
- OUT-TO-OUT OF HOIST ROPES (SEE SKETCH "F" - DIM. "FF"): _____
- LENGTH OF HYDRAULIC HOSE REQUIRED:
 - STANDARD (27")
 - 4'-0" 5'-0" 6'-0" 8'-0"
 - CUSTOM (UP TO 30'-0"): _____



SKETCH "F"

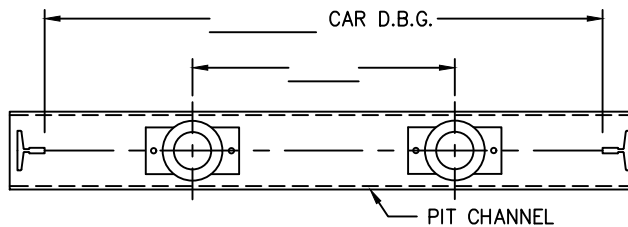
ENGINEERING CONTACT: _____
 COMPANY: _____
 EMAIL: _____
 FAX NO: _____

JOB NAME: _____
 ELEV. #: _____ H-W #: _____
 FROM (H-W): _____
 DATE: _____

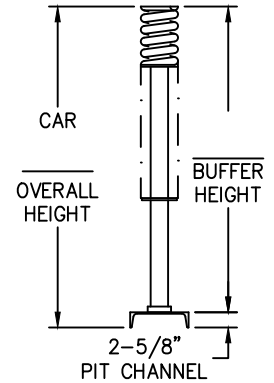
**INFORMATION REQUIRED TO MANUFACTURE
 BUFFERS & PIT CHANNELS**

- DUTY -
 - SPEED: _____
 - CAPACITY: _____
- CAR: PLEASE PROVIDE -
 - D.B.G.: _____
 - RAIL SIZE: _____ (IN LBS.)
 - CAR WEIGHT: _____
 - BUFFER HEIGHT: _____
 - OVERALL HEIGHT: _____
 - DISTANCE BETWEEN BUFFERS: _____

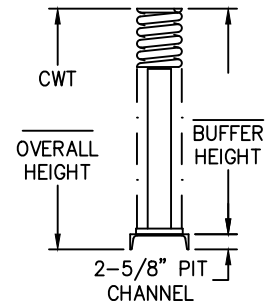
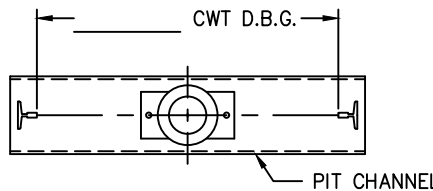
**ENGINEERING INFORMATION:
 WE REQUIRE ALL MARKED ITEMS**



SPRING BUFFERS

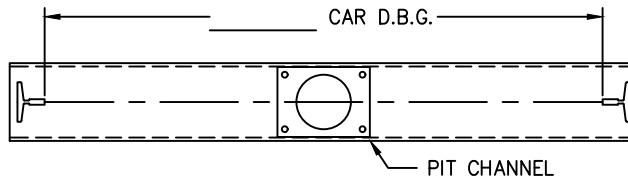


- CWT: PLEASE PROVIDE -
 - D.B.G.: _____
 - RAIL SIZE: _____ (IN LBS.)
 - CWT. WEIGHT: _____
 - BUFFER HEIGHT: _____
 - OVERALL HEIGHT: _____

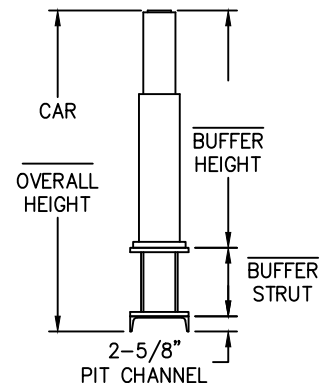


- PIT CHANNELS REQUIRED? CAR CWT
- HW PIT CHANNELS NORMALLY MOUNT UNDER THE THE GUIDE RAILS OR THEY CAN BE CUT SHORT. ADVISE WHICH OPTION -
 - NORMAL UNDER RAIL MOUNTING.
 - CUT SHORT OF GUIDE RAILS

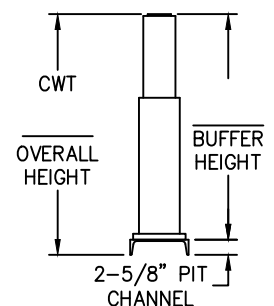
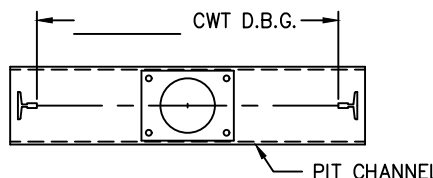
- DUTY -
 - SPEED: _____
 - CAPACITY: _____
- CAR: PLEASE PROVIDE -
 - D.B.G.: _____
 - RAIL SIZE: _____ (IN LBS.)
 - CAR WEIGHT: _____
 - BUFFER HEIGHT: _____
 - OVERALL HEIGHT: _____



OIL BUFFERS



- CWT: PLEASE PROVIDE -
 - D.B.G.: _____
 - RAIL SIZE: _____ (IN LBS.)
 - CWT. WEIGHT: _____
 - BUFFER HEIGHT: _____
 - OVERALL HEIGHT: _____

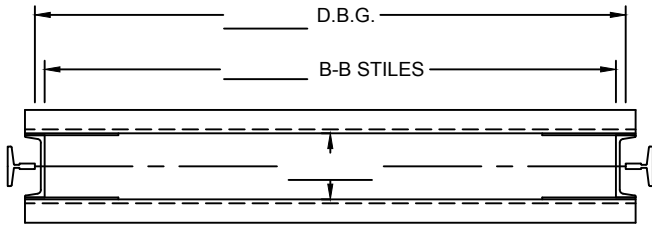


- PIT CHANNELS REQUIRED? CAR CWT
- HW PIT CHANNELS NORMALLY MOUNT UNDER THE THE GUIDE RAILS OR THEY CAN BE CUT SHORT. ADVISE WHICH OPTION -
 - NORMAL UNDER RAIL MOUNTING.
 - CUT SHORT OF GUIDE RAILS

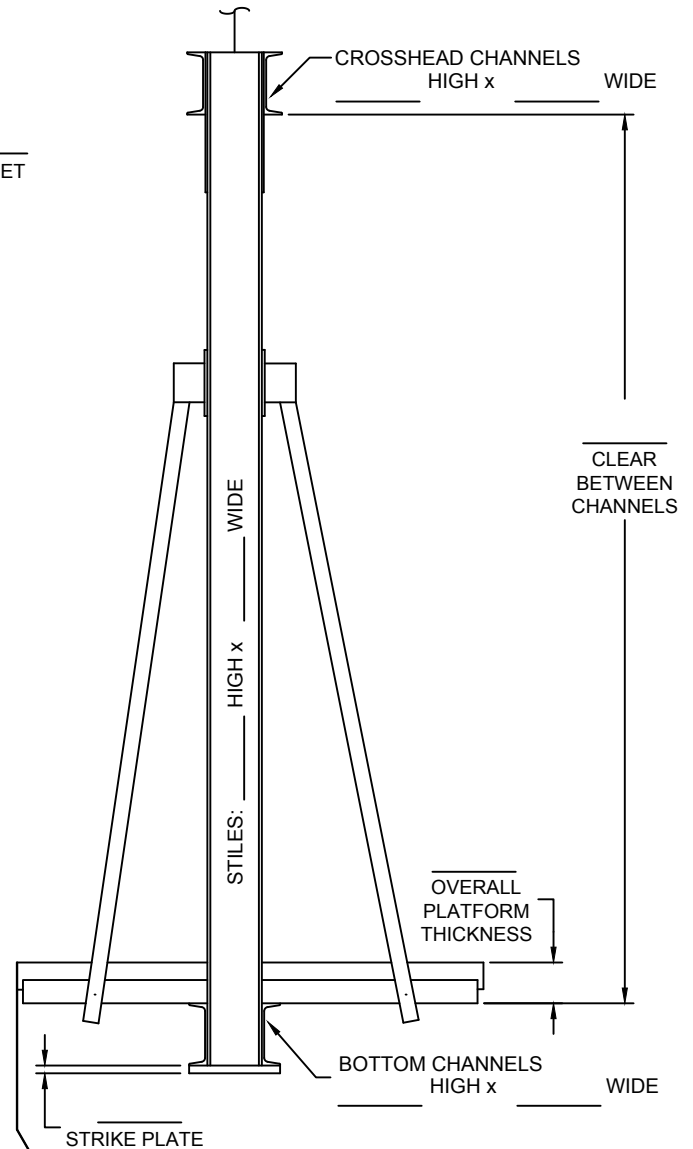
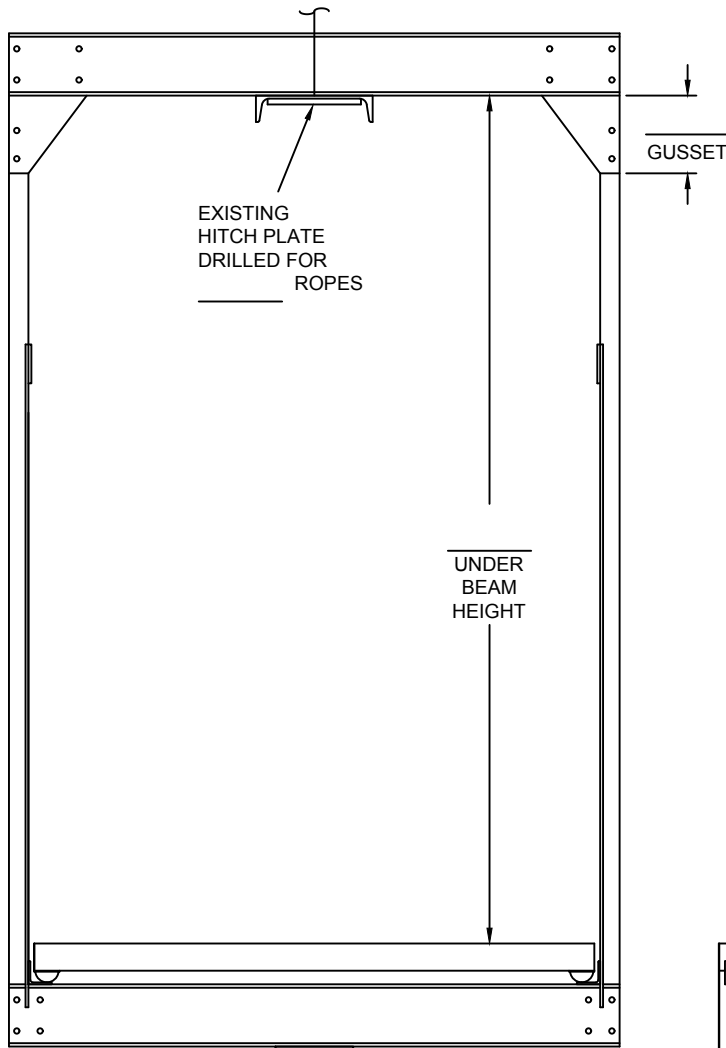
ENGINEERING CONTACT: _____
 COMPANY: _____
 EMAIL: _____
 FAX NO: _____

JOB NAME: _____
 ELEV. #: _____ H-W #: _____
 FROM (H-W): _____
 DATE: _____

**INFORMATION REQUIRED TO MANUFACTURE
 1:1 ROPED CAR SLINGS**



**ENGINEERING INFORMATION:
 WE REQUIRE ALL MARKED ITEMS**



WEIGHTS / DUTY

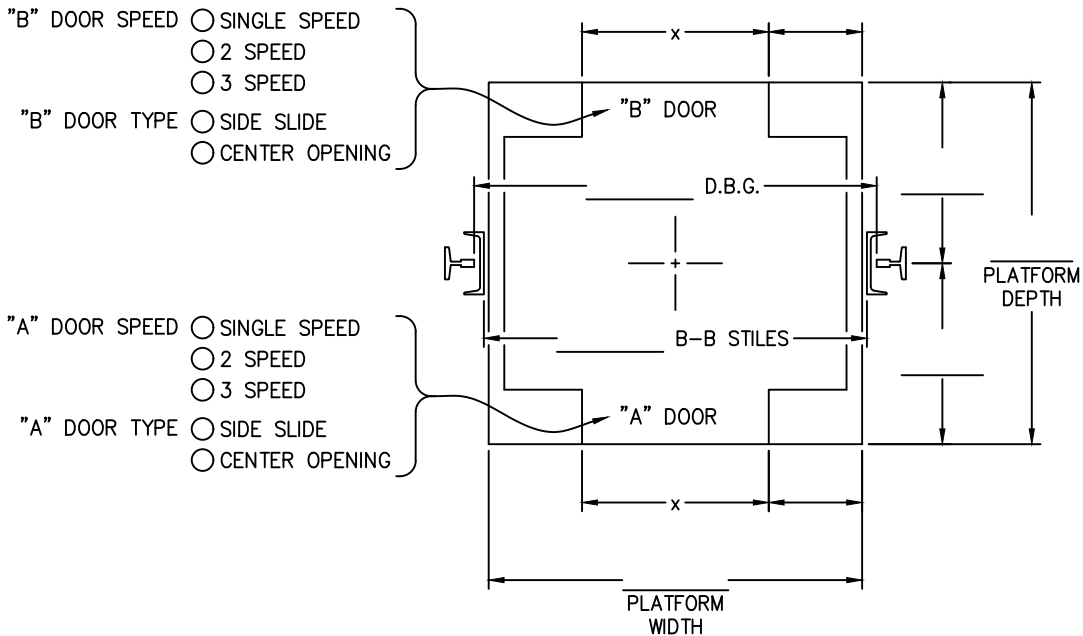
CAR SPEED: _____ CAPACITY RATING: _____ TOTAL EMPTY CAR WEIGHT: _____
 LOAD CLASSIFICATION: PASSENGER -OR- CLASS: A B C1 C2 C3

ENGINEERING CONTACT: _____
 COMPANY: _____
 EMAIL: _____
 FAX NO: _____

JOB NAME: _____
 ELEV. #: _____ H-W #: _____
 FROM (H-W): _____
 DATE: _____

**INFORMATION REQUIRED TO MANUFACTURE
 SIDE-POST PLATFORMS**

PLATFORM



REQUIRE INFORMATION MARKED BELOW:

**ENGINEERING INFORMATION:
 WE REQUIRE ALL MARKED ITEMS**

- TOTAL EMPTY CAR WEIGHT: _____
- CAPACITY RATING: _____
- LOAD CLASSIFICATION: PASSENGER -OR- CLASS: A B C1 C2 C3
- DISTANCE BETWEEN GUIDES (D.B.G.): _____
- BACK TO BACK OF CAR SLING STILES: _____
- NUMBER OF DOOR OPENINGS: _____
- SPEED OF DOOR(S) -
 - "A" DOOR; SINGLE, 2-SPEED, 3-SPEED
 - "B" DOOR; SINGLE, 2-SPEED, 3-SPEED
- TYPE OF DOOR(S) -
 - "A" DOOR; SIDE SLIDE CENTER OPENING
 - "B" DOOR; SIDE SLIDE CENTER OPENING
- SIZE OF THE DOOR(S) -
 - "A" DOOR; WIDTH: _____ BY HEIGHT: _____
 - "B" DOOR; WIDTH: _____ BY HEIGHT: _____
- LOCATION OF THE DOOR(S) BY FILLING IN THE DIMENSIONS ON ABOVE SKETCH.
- IF ALL STEEL PLATFORM, CAR SILL DETAIL IS REQUIRED: _____

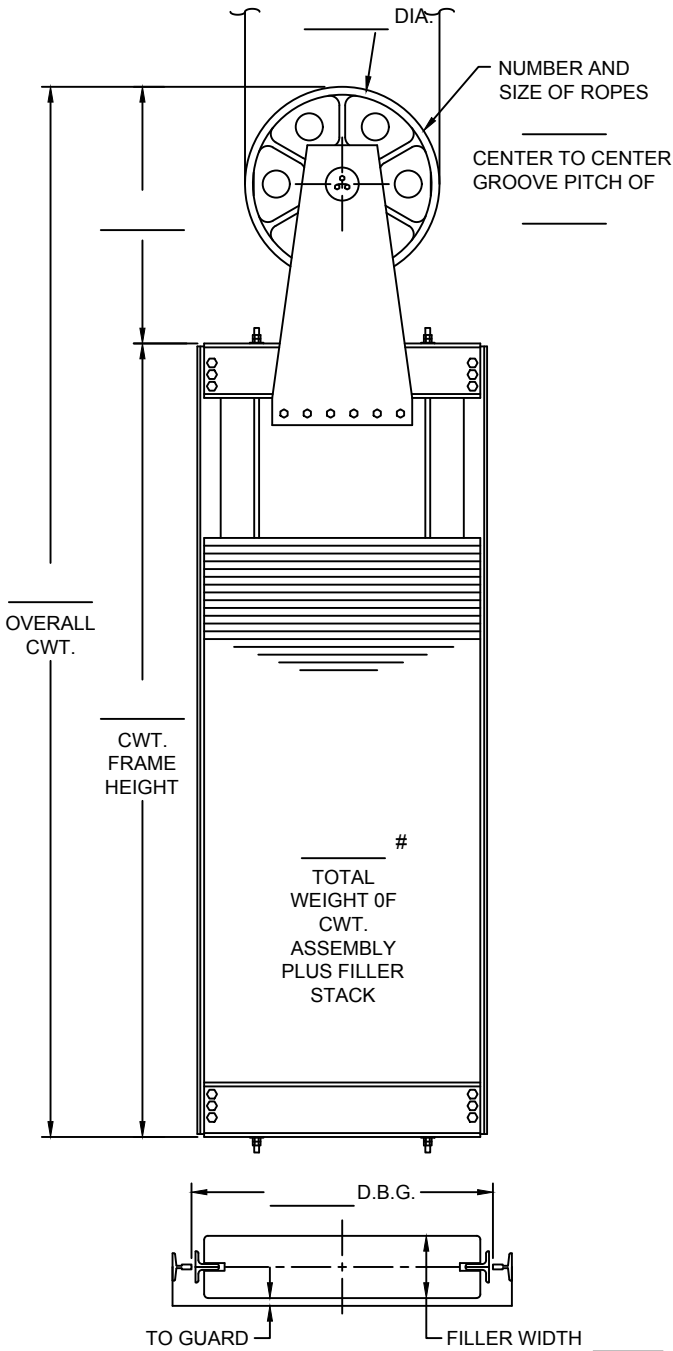
ENGINEERING CONTACT: _____
 COMPANY: _____
 EMAIL: _____
 FAX NO: _____

JOB NAME: _____
 ELEV. #: _____ H-W #: _____
 FROM (H-W): _____
 DATE: _____

**INFORMATION REQUIRED TO MANUFACTURE
 COUNTERWEIGHT FRAMES**

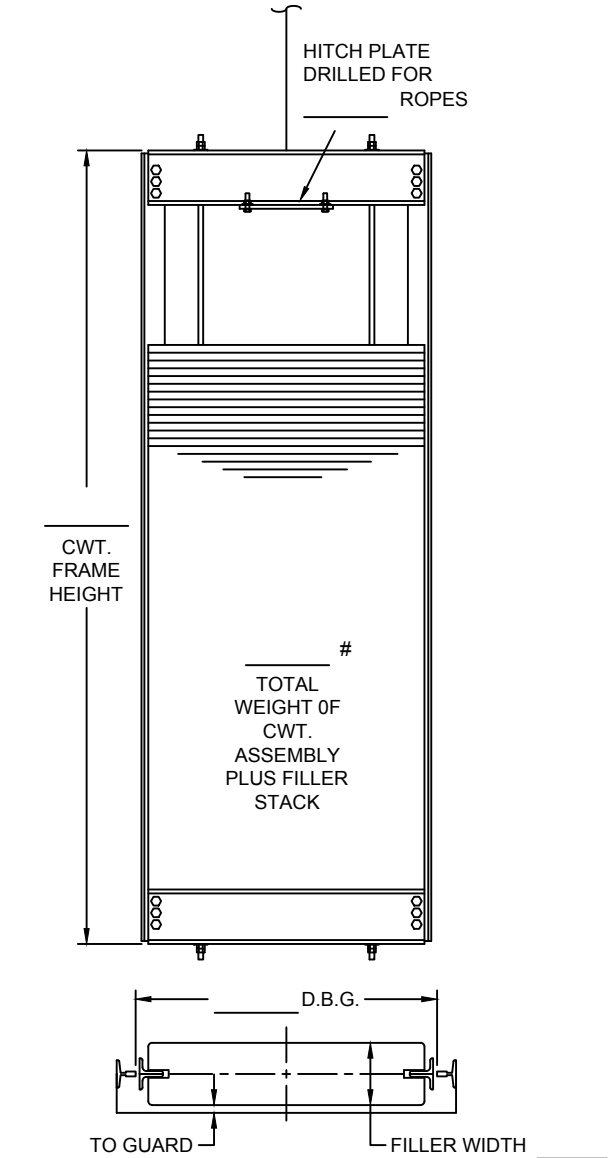
- CWT. RAIL SIZE (IN LBS) _____
- CWT. SHOE MANUFACTURER _____

COUNTERWEIGHT WITH SHEAVE



**ENGINEERING INFORMATION:
 WE REQUIRE ALL MARKED ITEMS**

COUNTERWEIGHT WITHOUT SHEAVE

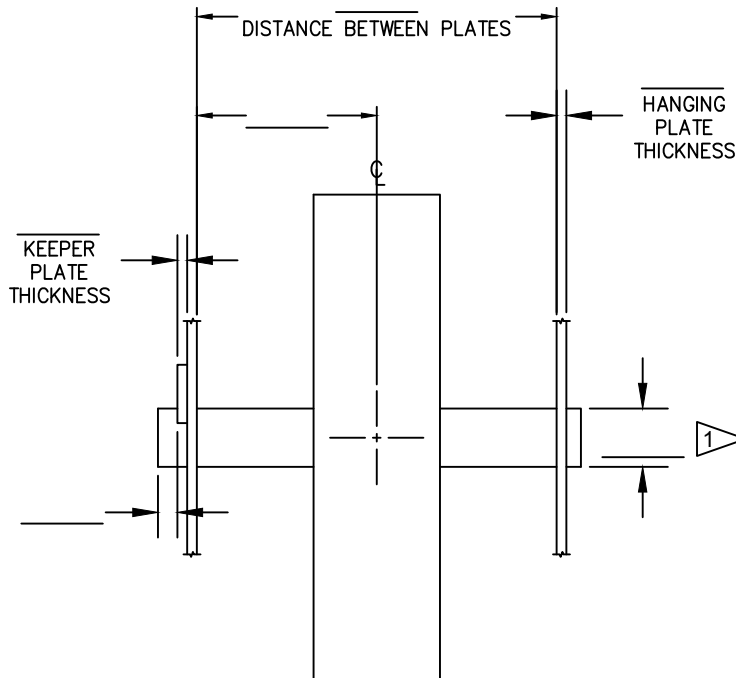


ENGINEERING CONTACT: _____
COMPANY: _____
EMAIL: _____
FAX NO: _____

JOB NAME: _____
ELEV. #: _____ H-W #: _____
FROM (H-W): _____
DATE: _____

INFORMATION REQUIRED TO MANUFACTURE HANGING SHEAVES

**ENGINEERING INFORMATION:
WE REQUIRE ALL MARKED ITEMS**



PROVIDE OPEN DIMENSIONS ABOVE

1 HW TYPICAL SHAFT DIAMETER FOR HEAVY DUTY DEFLECTOR, CAR, CWT, AND OVERHEAD SHEAVES IS 3.438" - 3.440. IF YOU REQUIRE A SMALLER DIAMETER FOR YOUR EXISTING CONDITIONS, PROVIDE YOUR SHAFT DIAMETER IN NEAREST THOUSANDTHS.