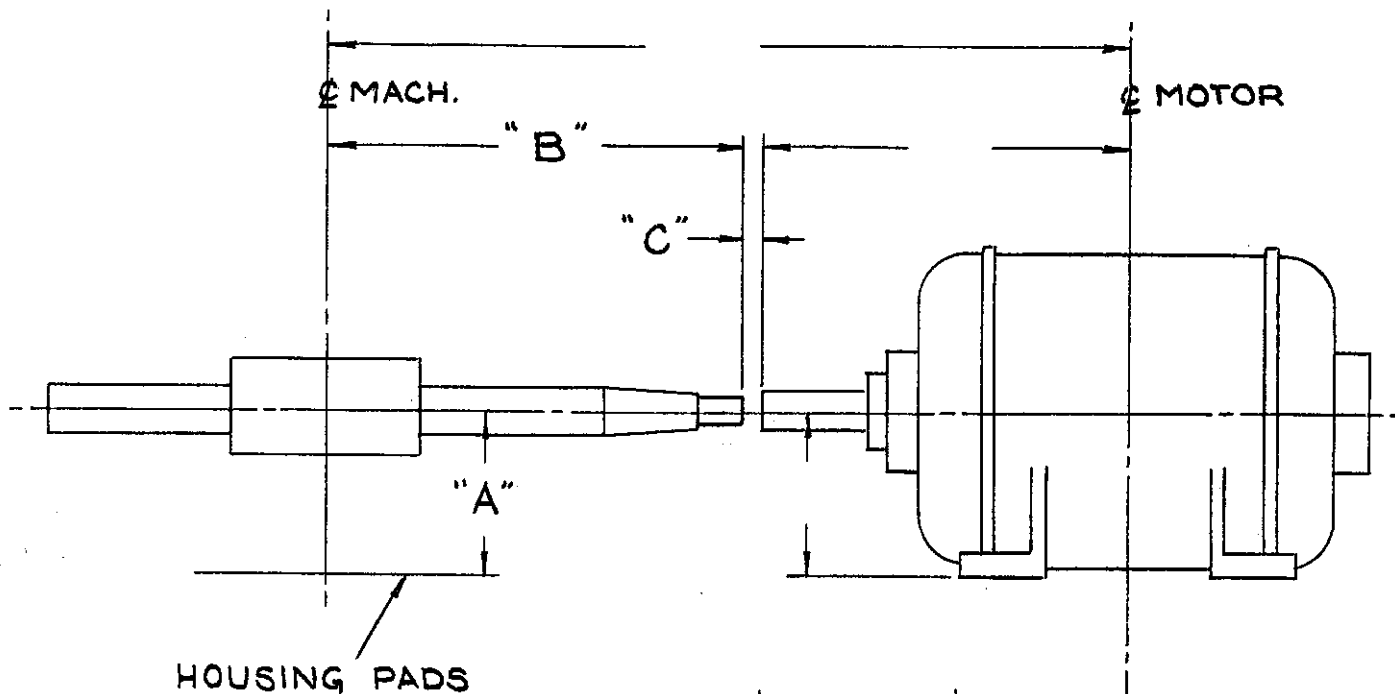
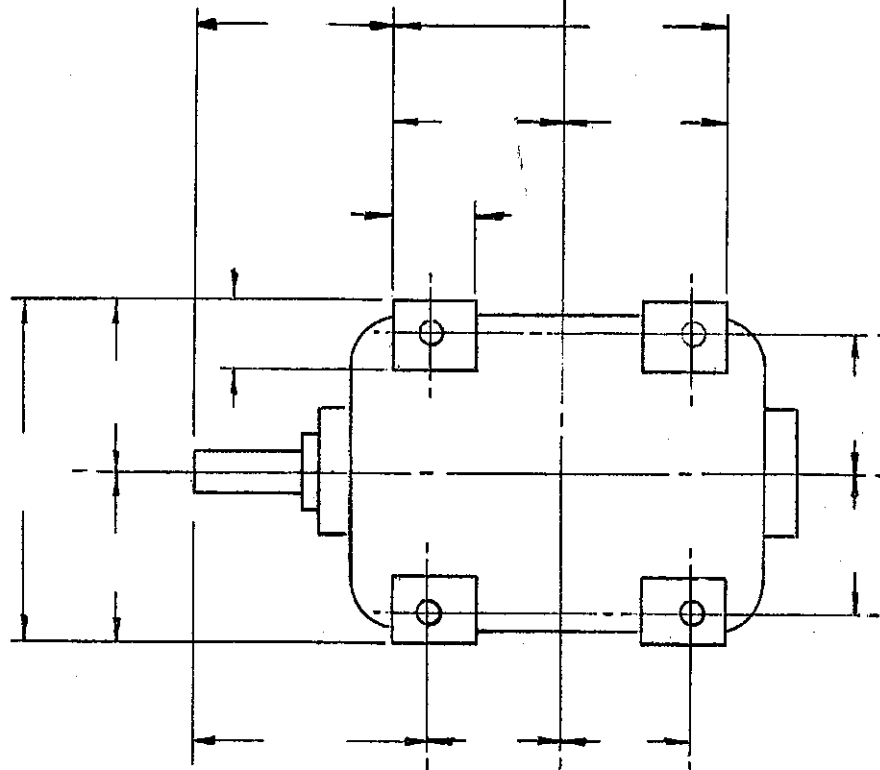


MOTOR INFORMATION



MACH.	A	B	C
33	7	14 $\frac{3}{4}$	$\frac{1}{2}$
43	7 $\frac{3}{4}$	17 $\frac{1}{8}$	$\frac{1}{4}$
53	9 $\frac{1}{2}$	19 $\frac{5}{16}$	$\frac{1}{4}$
63	11 $\frac{3}{8}$	24 $\frac{1}{8}$	$\frac{1}{4}$



MACHINE NO. _____

MOTOR FRAME _____

MOTOR SHAFT DIA. _____ *to nearest thousandth*

MOTOR SHAFT KEYWAY _____