



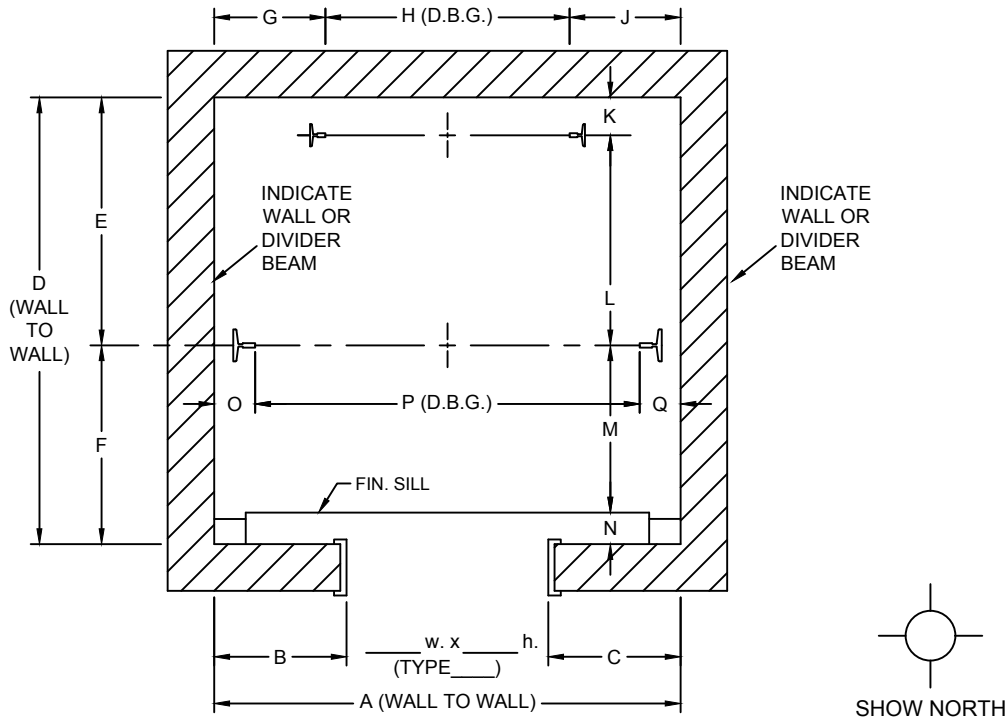
#1 Hollister-Whitney Parkway
 Quincy, IL 62305
 Phone: 217-222-0466
 Fax: 217-222-0493

Hollister-Whitney
 ELEVATOR CO. LLC

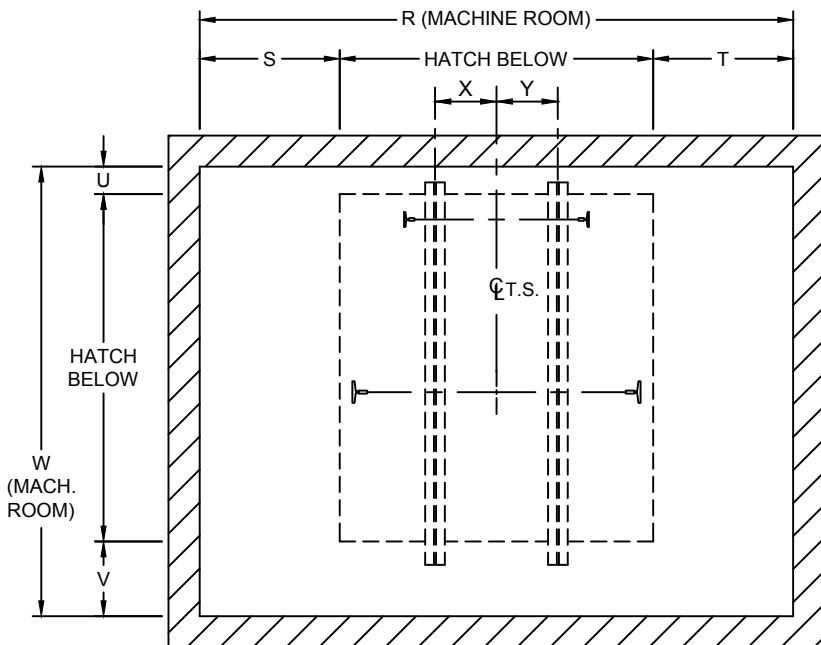
www.hollisterwhitney.com
 sales@hollisterwhitney.com
 layouts@hollisterwhitney.com
 engineering@hollisterwhitney.com

ENGINEERING CONTACT: _____ JOB NAME: _____
 COMPANY: _____ ELEV. #: _____ H-W #: _____ DATE: _____
 EMAIL: _____ FROM (H-W): _____
 FAX NO: _____ FILL OUT SURVEY FORM AS COMPLETE AS POSSIBLE.

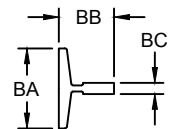
SINGLE OPENING - CWT. AT REAR



DIMENSIONS AT TIGHTEST POINT	
A	
B	
C	
D	
E	
F	
G	
H	
J	
K	
L	
M	
N	
O	
P	
Q	
R	
S	
T	
U	
V	
W	
X	
Y	



MACHINE BEAM SIZE: _____ H. x _____ W.
 INDICATE MACHINE ROOM DOOR LOCATION & HAND



RAIL DIMENSIONS		
	CAR	CWT.
BA		
BB		
BC		
LB./FT.		



#1 Hollister-Whitney Parkway
 Quincy, IL 62305
 Phone: 217-222-0466
 Fax: 217-222-0493

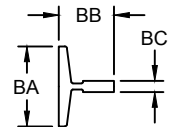
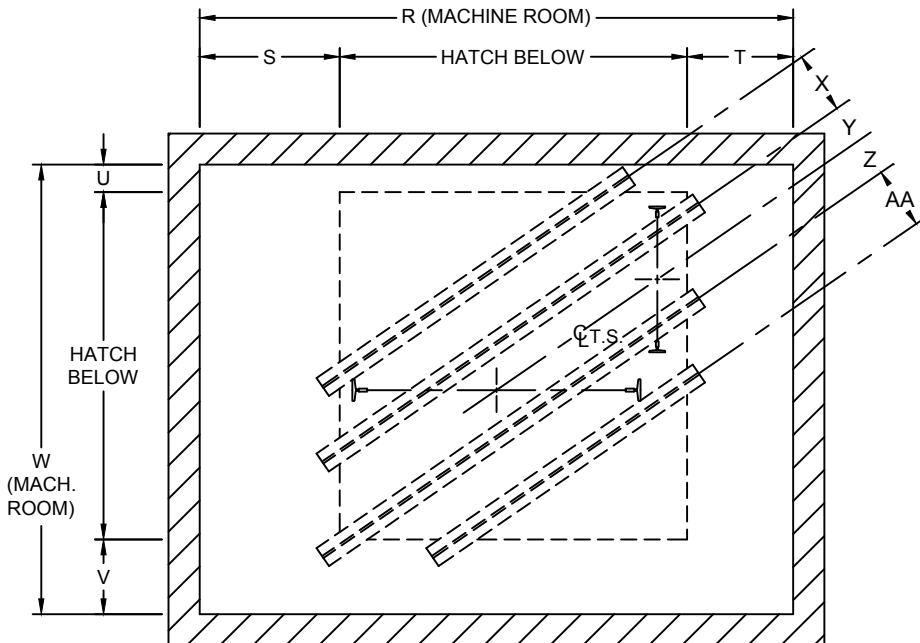
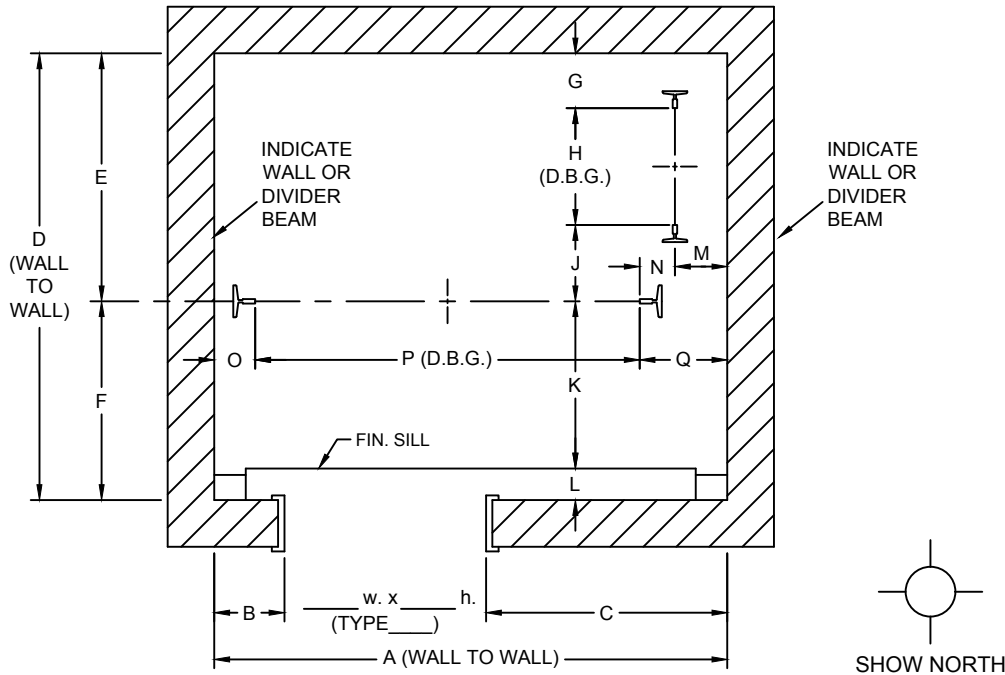
Hollister-Whitney
 ELEVATOR CO. LLC

www.hollisterwhitney.com
 sales@hollisterwhitney.com
 layouts@hollisterwhitney.com
 engineering@hollisterwhitney.com

ENGINEERING CONTACT: _____ JOB NAME: _____
 COMPANY: _____ ELEV. #: _____ H-W #: _____ DATE: _____
 EMAIL: _____ FROM (H-W): _____
 FAX NO: _____ FILL OUT SURVEY FORM AS COMPLETE AS POSSIBLE.

SINGLE OPENING - LEFT HAND DOOR - CWT. ON RIGHT

DIMENSIONS AT TIGHTEST POINT	
A	
B	
C	
D	
E	
F	
G	
H	
J	
K	
L	
M	
N	
O	
P	
Q	
R	
S	
T	
U	
V	
W	
X	
Y	
Z	
AA	



RAIL DIMENSIONS		
	CAR	CWT.
BA		
BB		
BC		
LB./FT.		

MACHINE BEAM SIZE: _____ H. x _____ W.
 INDICATE MACHINE ROOM DOOR LOCATION & HAND



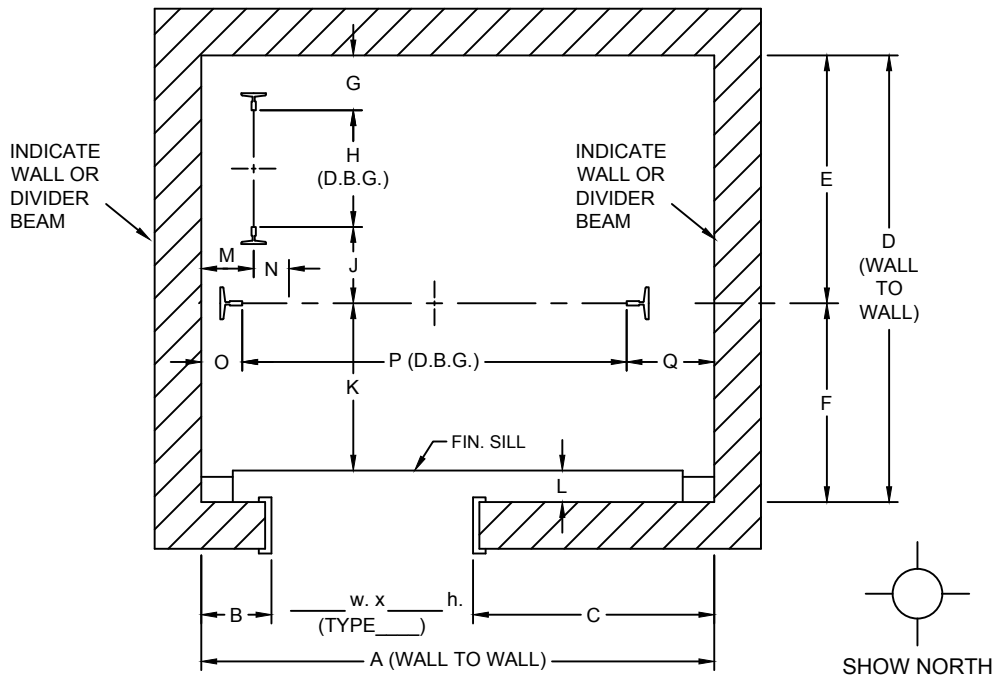
#1 Hollister-Whitney Parkway
 Quincy, IL 62305
 Phone: 217-222-0466
 Fax: 217-222-0493

Hollister-Whitney
 ELEVATOR CO. LLC

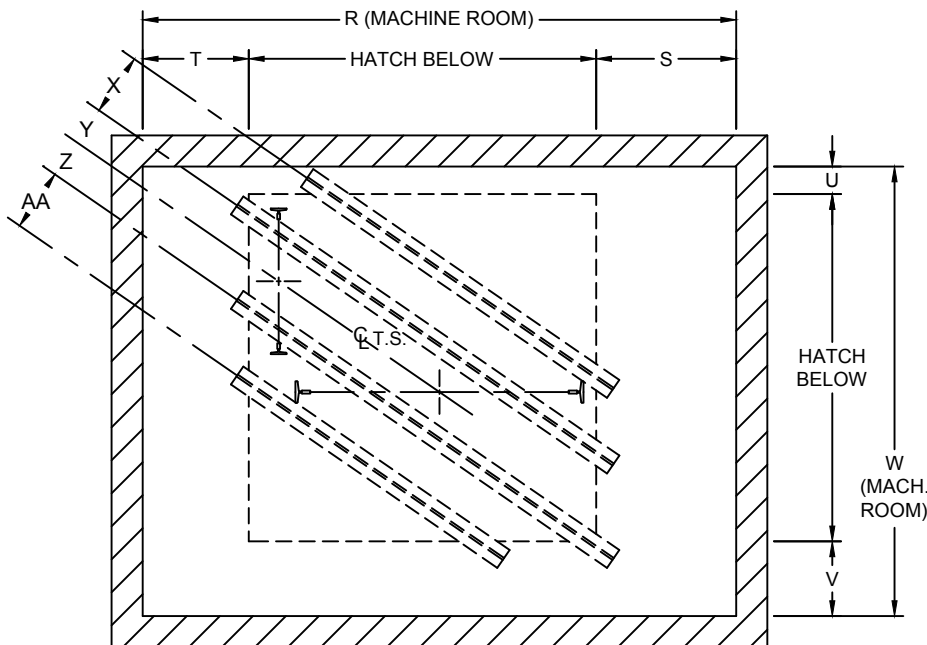
www.hollisterwhitney.com
 sales@hollisterwhitney.com
 layouts@hollisterwhitney.com
 engineering@hollisterwhitney.com

ENGINEERING CONTACT: _____ JOB NAME: _____
 COMPANY: _____ ELEV. #: _____ H-W #: _____ DATE: _____
 EMAIL: _____ FROM (H-W): _____
 FAX NO: _____ FILL OUT SURVEY FORM AS COMPLETE AS POSSIBLE.

SINGLE OPENING - LEFT HAND DOOR - CWT. ON LEFT



DIMENSIONS AT TIGHTEST POINT	
A	
B	
C	
D	
E	
F	
G	
H	
J	
K	
L	
M	
N	
O	
P	
Q	
R	
S	
T	
U	
V	
W	
X	
Y	
Z	
AA	



MACHINE BEAM SIZE: _____ H. x _____ W.
 INDICATE MACHINE ROOM DOOR LOCATION & HAND

RAIL DIMENSIONS		
	CAR	CWT.
BA		
BB		
BC		
LB./FT.		



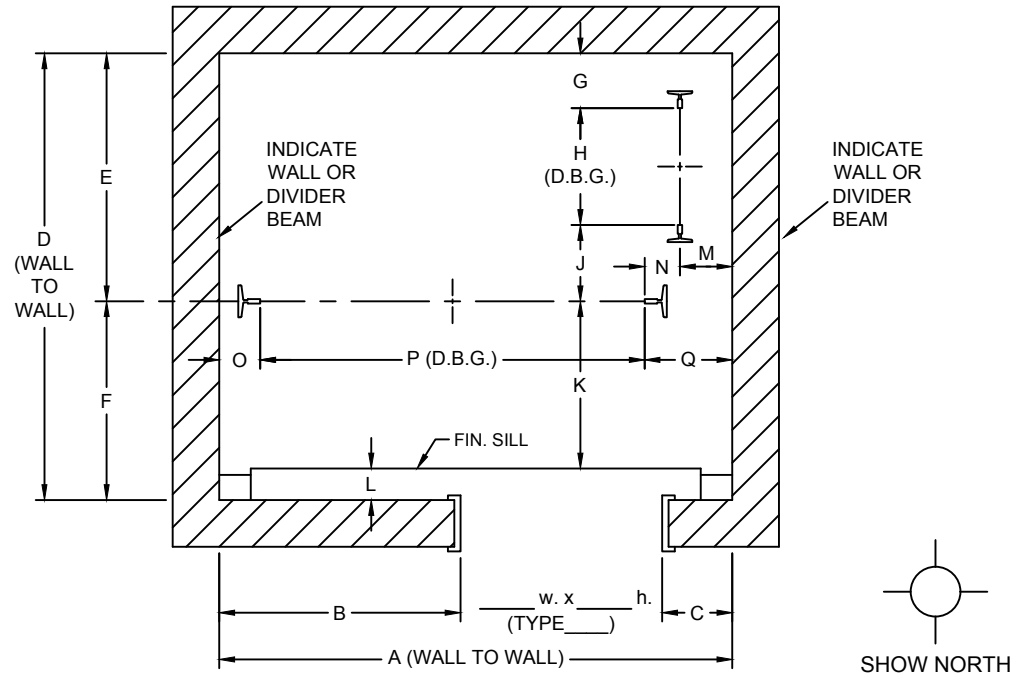
#1 Hollister-Whitney Parkway
 Quincy, IL 62305
 Phone: 217-222-0466
 Fax: 217-222-0493

Hollister-Whitney
 ELEVATOR CO. LLC

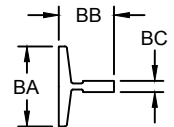
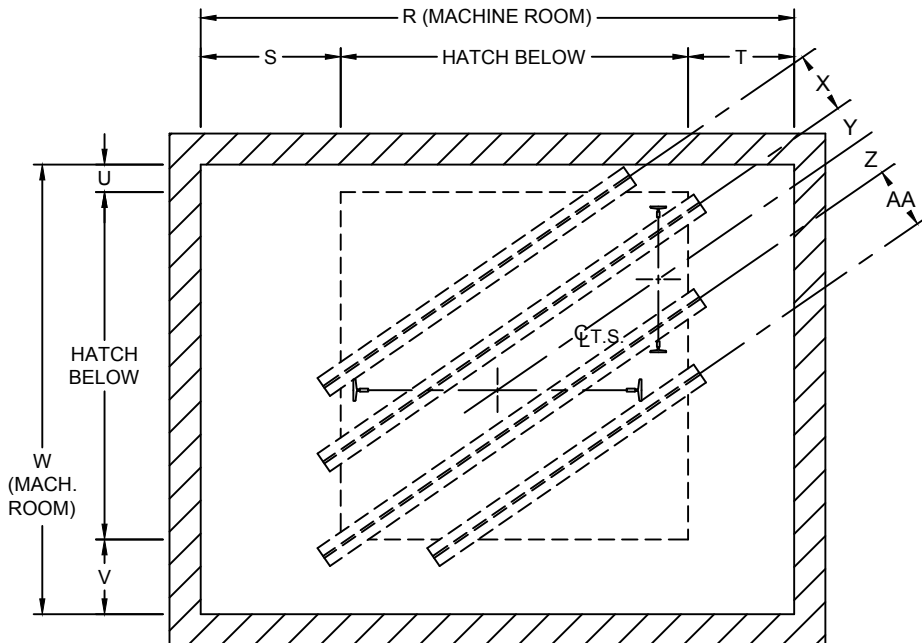
www.hollisterwhitney.com
 sales@hollisterwhitney.com
 layouts@hollisterwhitney.com
 engineering@hollisterwhitney.com

ENGINEERING CONTACT: _____ JOB NAME: _____
 COMPANY: _____ ELEV. #: _____ H-W #: _____ DATE: _____
 EMAIL: _____ FROM (H-W): _____
 FAX NO: _____ FILL OUT SURVEY FORM AS COMPLETE AS POSSIBLE.

SINGLE OPENING - RIGHT HAND DOOR - CWT. ON RIGHT



DIMENSIONS AT TIGHTEST POINT	
A	
B	
C	
D	
E	
F	
G	
H	
J	
K	
L	
M	
N	
O	
P	
Q	
R	
S	
T	
U	
V	
W	
X	
Y	
Z	
AA	



RAIL DIMENSIONS		
	CAR	CWT.
BA		
BB		
BC		
LB./FT.		

MACHINE BEAM SIZE: _____ H. x _____ W.
 INDICATE MACHINE ROOM DOOR LOCATION & HAND



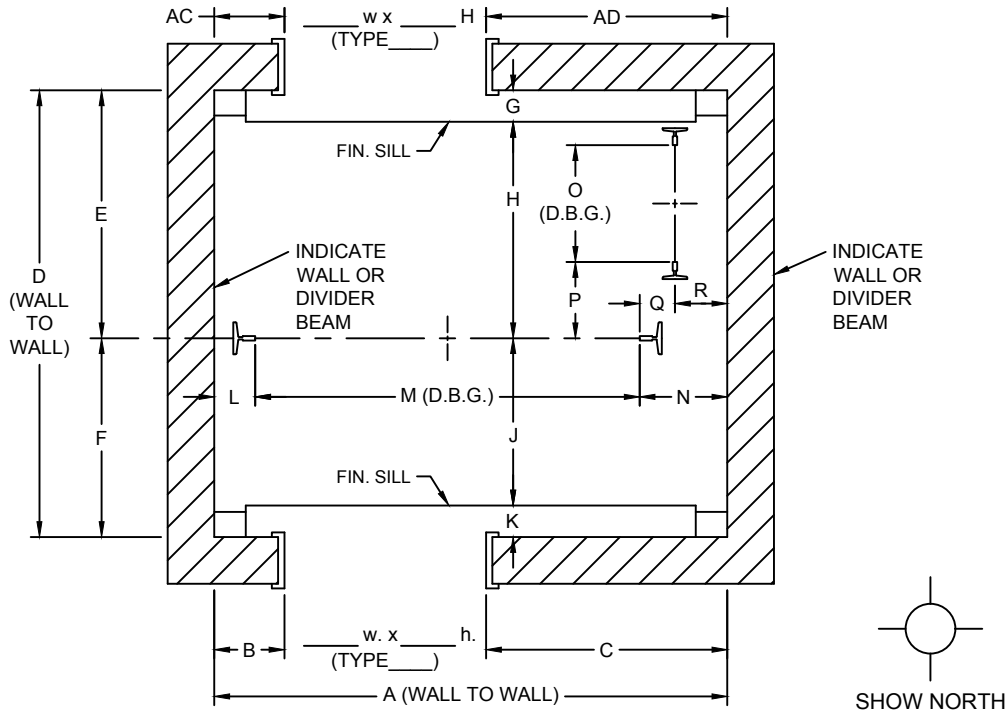
#1 Hollister-Whitney Parkway
 Quincy, IL 62305
 Phone: 217-222-0466
 Fax: 217-222-0493

Hollister-Whitney
 ELEVATOR CO. LLC

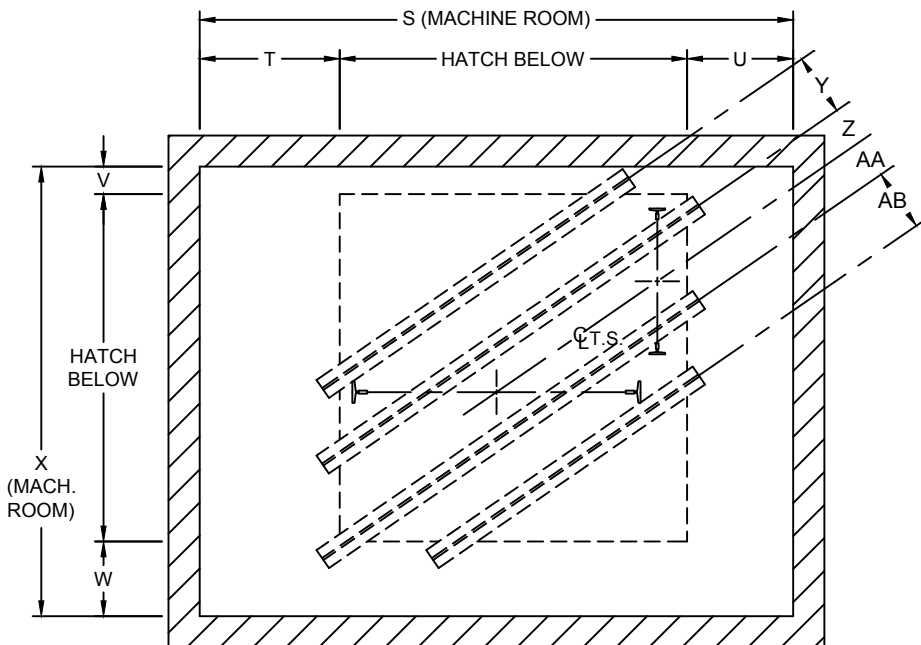
www.hollisterwhitney.com
 sales@hollisterwhitney.com
 layouts@hollisterwhitney.com
 engineering@hollisterwhitney.com

ENGINEERING CONTACT: _____ JOB NAME: _____
 COMPANY: _____ ELEV. #: _____ H-W #: _____ DATE: _____
 EMAIL: _____ FROM (H-W): _____
 FAX NO: _____ FILL OUT SURVEY FORM AS COMPLETE AS POSSIBLE.

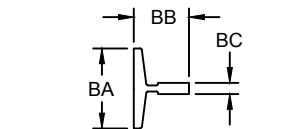
DOUBLE OPENING - LEFT HAND DOOR - CWT. ON RIGHT



DIMENSIONS AT TIGHTEST POINT	
A	
B	
C	
D	
E	
F	
G	
H	
J	
K	
L	
M	
N	
O	
P	
Q	
R	
S	
T	
U	
V	
W	
X	
Y	
Z	
AA	
AB	
AC	
AD	



MACHINE BEAM SIZE: _____ H. x _____ W.
 INDICATE MACHINE ROOM DOOR LOCATION & HAND



RAIL DIMENSIONS		
	CAR	CWT.
BA		
BB		
BC		
LB./FT.		



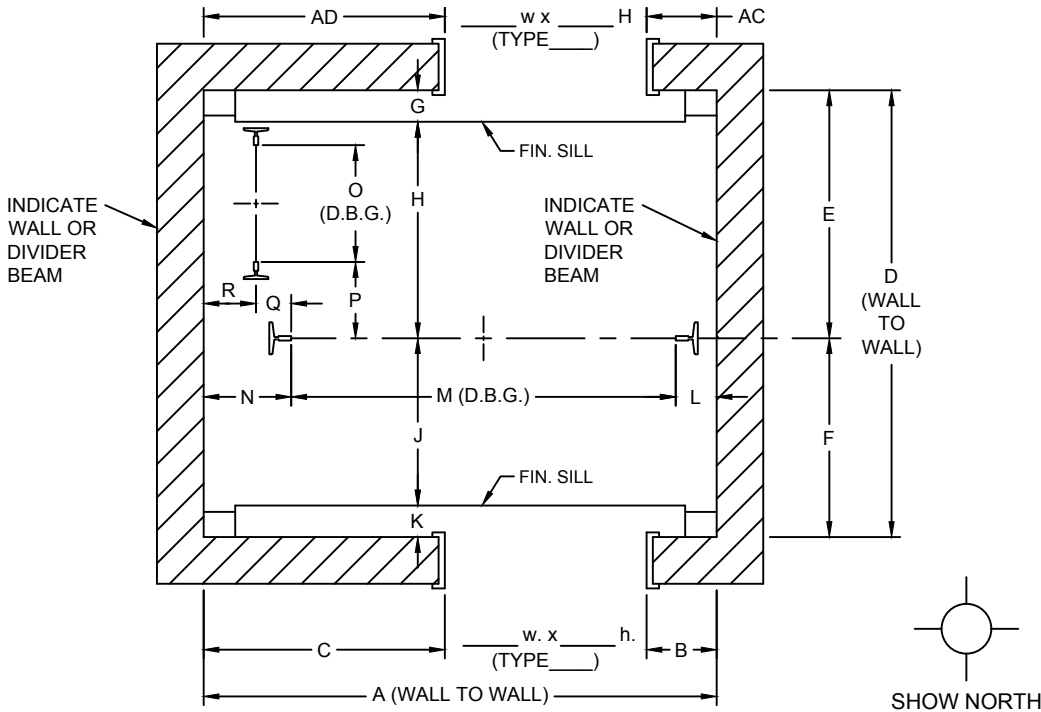
#1 Hollister-Whitney Parkway
 Quincy, IL 62305
 Phone: 217-222-0466
 Fax: 217-222-0493

Hollister-Whitney
 ELEVATOR CO. LLC

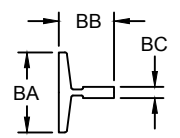
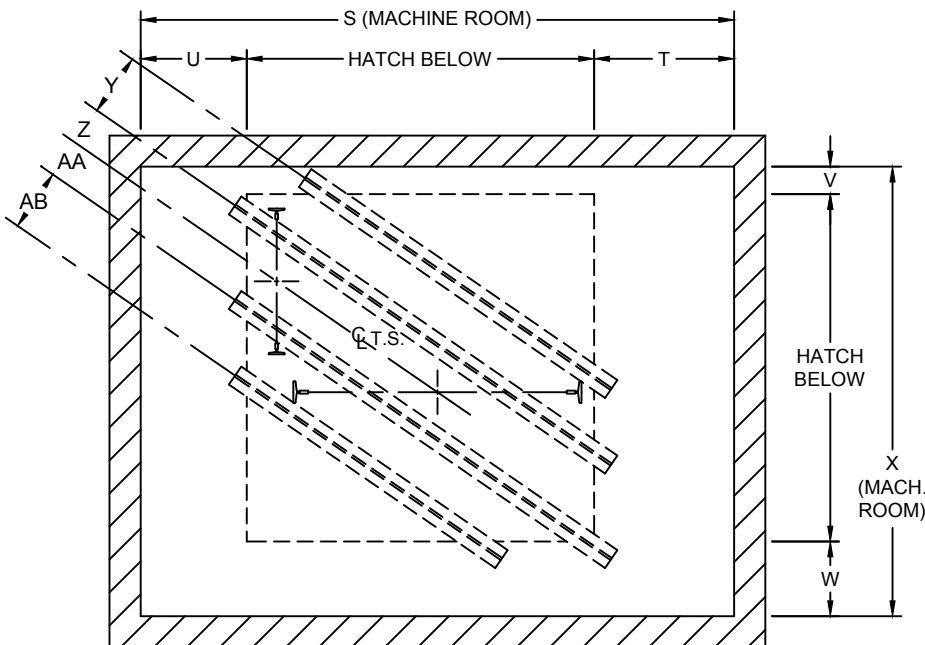
www.hollisterwhitney.com
 sales@hollisterwhitney.com
 layouts@hollisterwhitney.com
 engineering@hollisterwhitney.com

ENGINEERING CONTACT: _____ JOB NAME: _____
 COMPANY: _____ ELEV. #: _____ H-W #: _____ DATE: _____
 EMAIL: _____ FROM (H-W): _____
 FAX NO: _____ FILL OUT SURVEY FORM AS COMPLETE AS POSSIBLE.

DOUBLE OPENING - RIGHT HAND DOOR - CWT. ON LEFT



DIMENSIONS AT TIGHTEST POINT	
A	
B	
C	
D	
E	
F	
G	
H	
J	
K	
L	
M	
N	
O	
P	
Q	
R	
S	
T	
U	
V	
W	
X	
Y	
Z	
AA	
AB	
AC	
AD	



RAIL DIMENSIONS		
	CAR	CWT.
BA		
BB		
BC		
LB./FT.		

MACHINE BEAM SIZE: _____ H. x _____ W.
 INDICATE MACHINE ROOM DOOR LOCATION & HAND



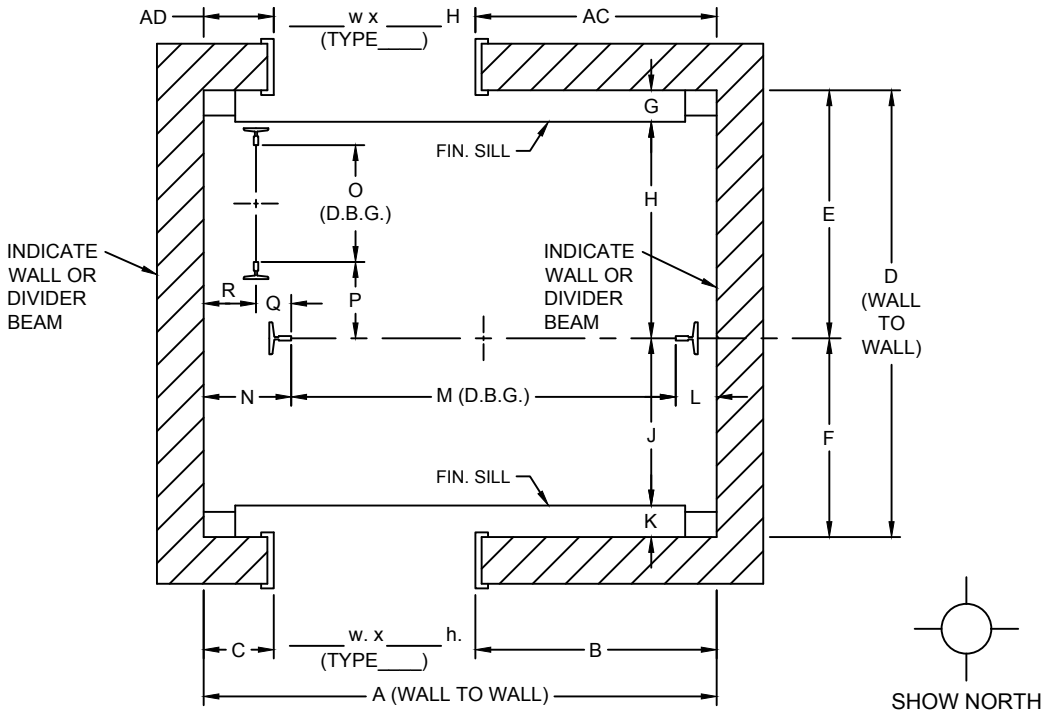
#1 Hollister-Whitney Parkway
 Quincy, IL 62305
 Phone: 217-222-0466
 Fax: 217-222-0493

Hollister-Whitney
 ELEVATOR CO. LLC

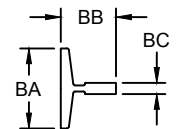
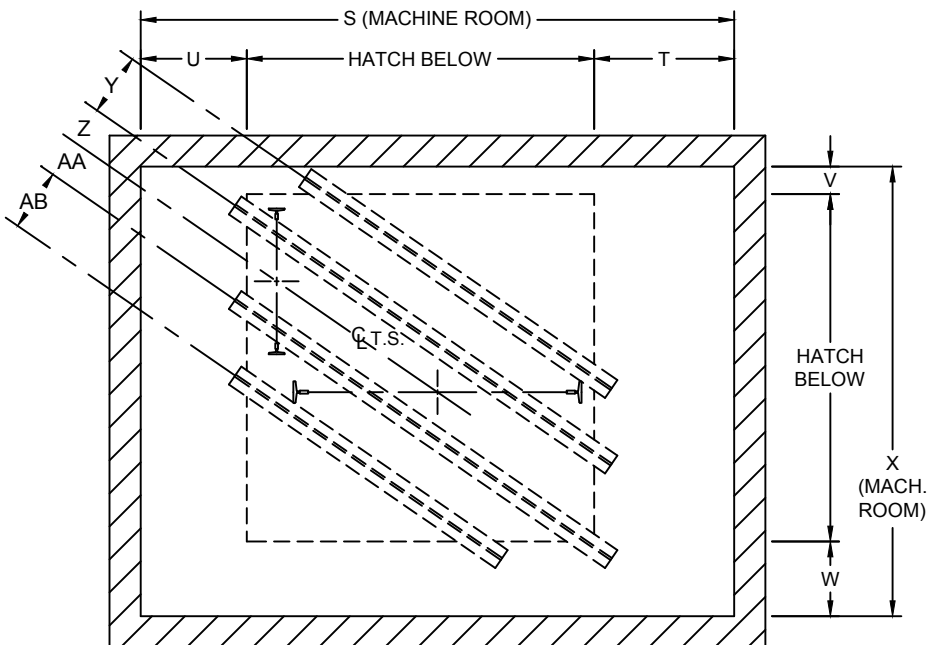
www.hollisterwhitney.com
 sales@hollisterwhitney.com
 layouts@hollisterwhitney.com
 engineering@hollisterwhitney.com

ENGINEERING CONTACT: _____ JOB NAME: _____
 COMPANY: _____ ELEV. #: _____ H-W #: _____ DATE: _____
 EMAIL: _____ FROM (H-W): _____
 FAX NO: _____ FILL OUT SURVEY FORM AS COMPLETE AS POSSIBLE.

DOUBLE OPENING - LEFT HAND DOOR - CWT. ON LEFT



DIMENSIONS AT TIGHTEST POINT	
A	
B	
C	
D	
E	
F	
G	
H	
J	
K	
L	
M	
N	
O	
P	
Q	
R	
S	
T	
U	
V	
W	
X	
Y	
Z	
AA	
AB	
AC	
AD	



MACHINE BEAM SIZE: _____ H. x _____ W.
 INDICATE MACHINE ROOM DOOR LOCATION & HAND

RAIL DIMENSIONS		
	CAR	CWT.
BA		
BB		
BC		
LB./FT.		



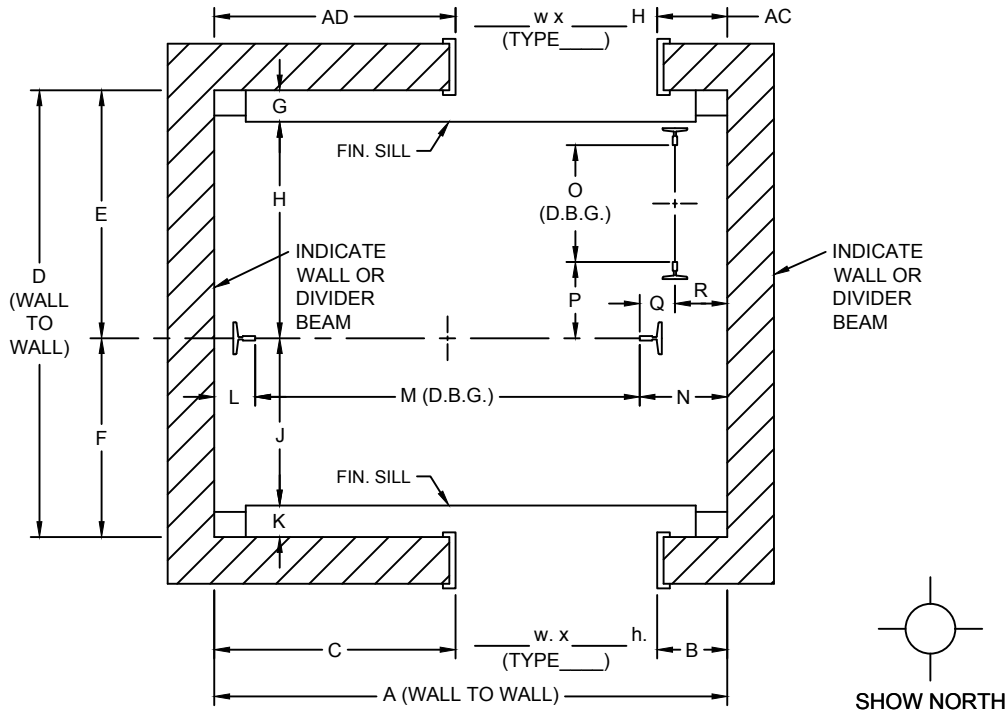
#1 Hollister-Whitney Parkway
 Quincy, IL 62305
 Phone: 217-222-0466
 Fax: 217-222-0493

Hollister-Whitney
 ELEVATOR CO. LLC

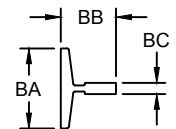
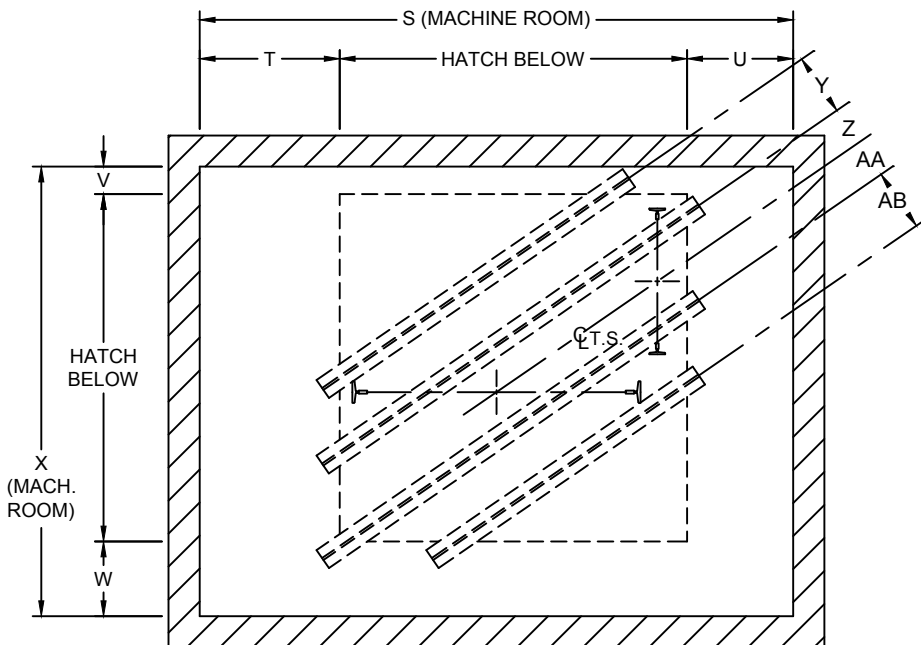
www.hollisterwhitney.com
 sales@hollisterwhitney.com
 layouts@hollisterwhitney.com
 engineering@hollisterwhitney.com

ENGINEERING CONTACT: _____ JOB NAME: _____
 COMPANY: _____ ELEV. #: _____ H-W #: _____ DATE: _____
 EMAIL: _____ FROM (H-W): _____
 FAX NO: _____ FILL OUT SURVEY FORM AS COMPLETE AS POSSIBLE.

DOUBLE OPENING - RIGHT HAND DOOR - CWT. ON RIGHT



DIMENSIONS AT TIGHTEST POINT	
A	
B	
C	
D	
E	
F	
G	
H	
J	
K	
L	
M	
N	
O	
P	
Q	
R	
S	
T	
U	
V	
W	
X	
Y	
Z	
AA	
AB	
AC	
AD	



RAIL DIMENSIONS		
	CAR	CWT.
BA		
BB		
BC		
LB./FT.		

MACHINE BEAM SIZE: _____ H. x _____ W.
 INDICATE MACHINE ROOM DOOR LOCATION & HAND



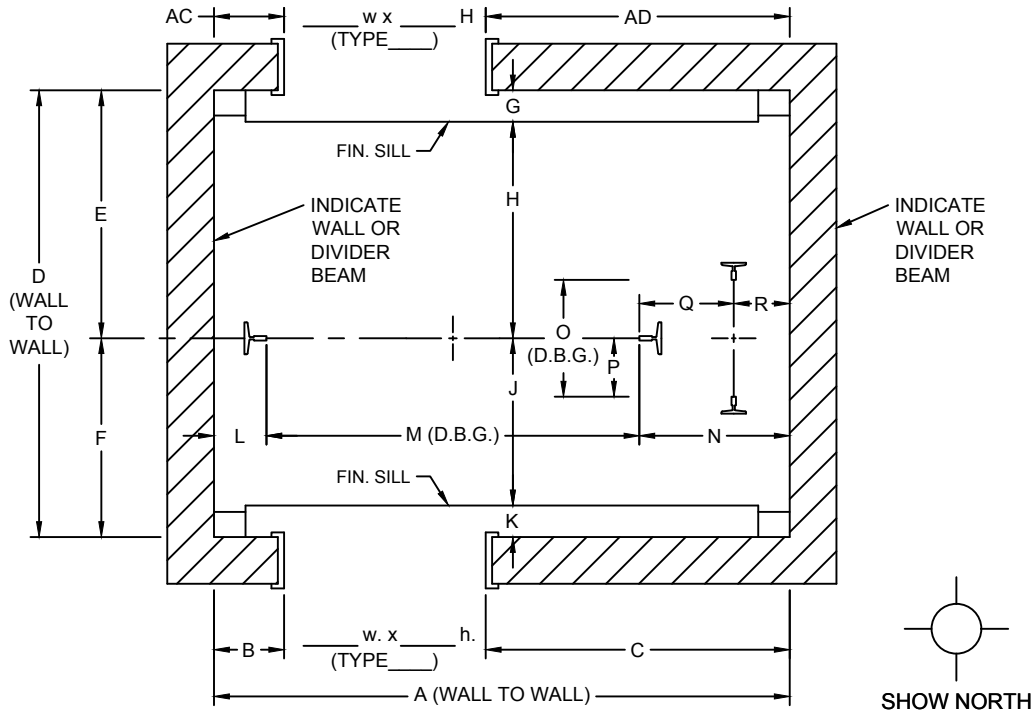
#1 Hollister-Whitney Parkway
 Quincy, IL 62305
 Phone: 217-222-0466
 Fax: 217-222-0493

Hollister-Whitney
 ELEVATOR CO. LLC

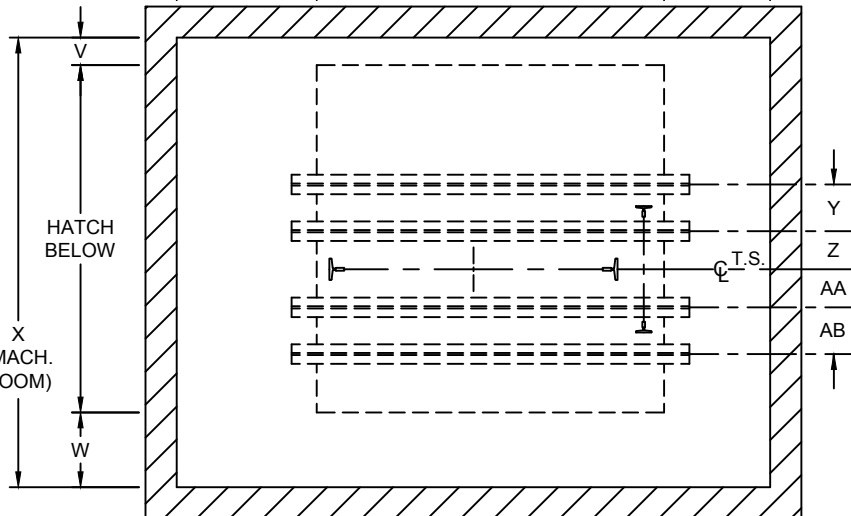
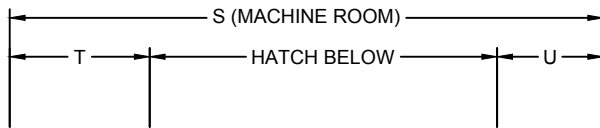
www.hollisterwhitney.com
 sales@hollisterwhitney.com
 layouts@hollisterwhitney.com
 engineering@hollisterwhitney.com

ENGINEERING CONTACT: _____ JOB NAME: _____
 COMPANY: _____ ELEV. #: _____ H-W #: _____ DATE: _____
 EMAIL: _____ FROM (H-W): _____
 FAX NO: _____ FILL OUT SURVEY FORM AS COMPLETE AS POSSIBLE.

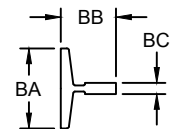
DOUBLE OPENING - LEFT HAND DOOR - CWT. ON RIGHT



DIMENSIONS AT TIGHTEST POINT	
A	
B	
C	
D	
E	
F	
G	
H	
J	
K	
L	
M	
N	
O	
P	
Q	
R	
S	
T	
U	
V	
W	
X	
Y	
Z	
AA	
AB	
AC	
AD	



MACHINE BEAM SIZE: _____ H. x _____ W.
 INDICATE MACHINE ROOM DOOR LOCATION & HAND



RAIL DIMENSIONS		
	CAR	CWT.
BA		
BB		
BC		
LB./FT.		



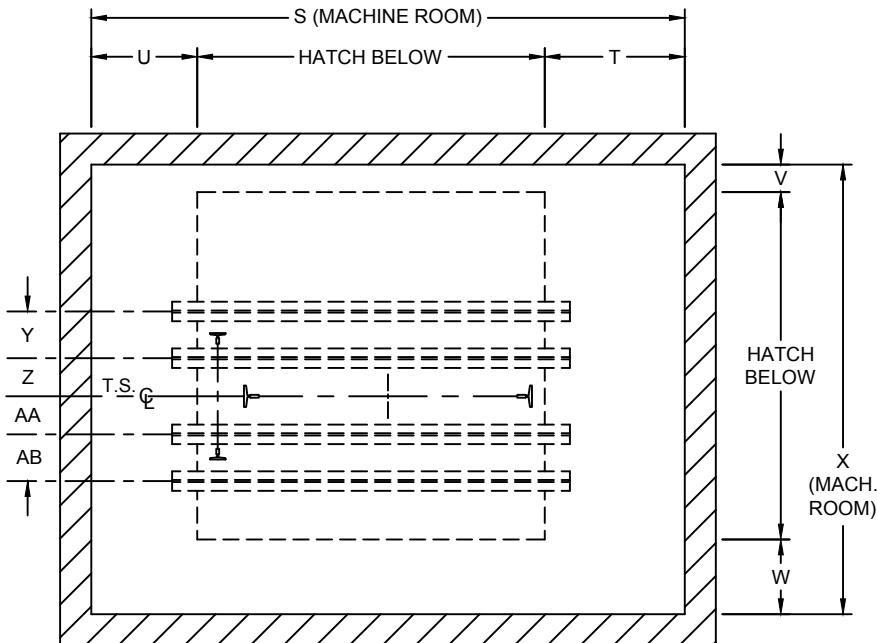
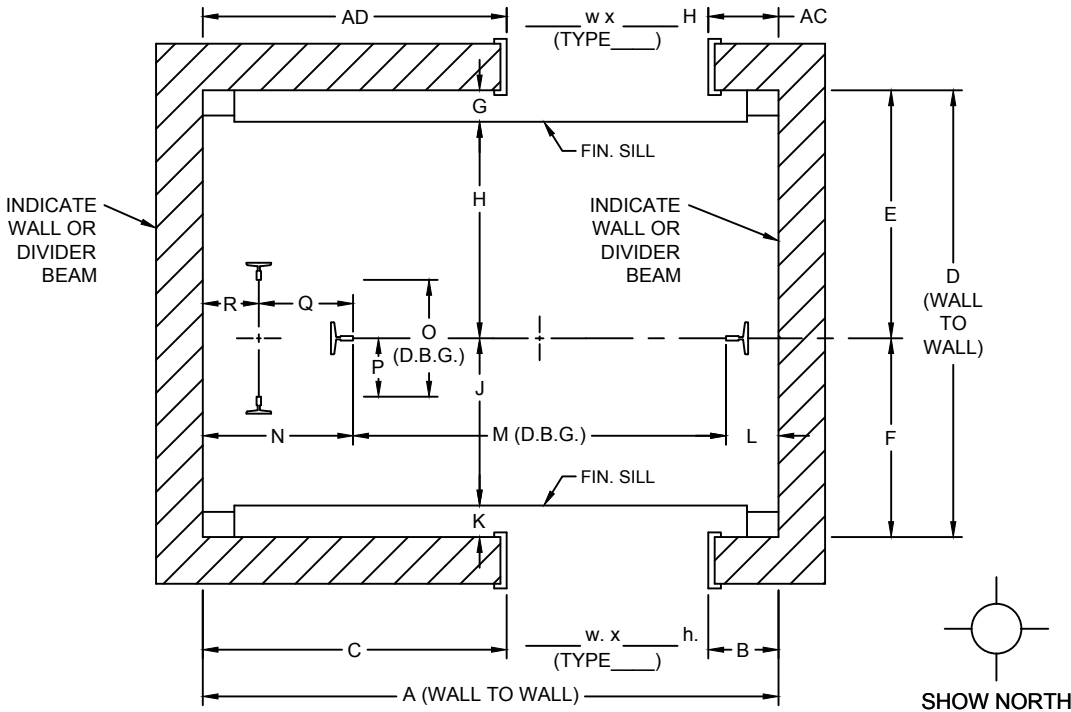
#1 Hollister-Whitney Parkway
 Quincy, IL 62305
 Phone: 217-222-0466
 Fax: 217-222-0493

Hollister-Whitney
 ELEVATOR CO. LLC

www.hollisterwhitney.com
 sales@hollisterwhitney.com
 layouts@hollisterwhitney.com
 engineering@hollisterwhitney.com

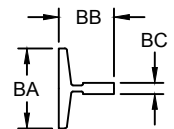
ENGINEERING CONTACT: _____ JOB NAME: _____
 COMPANY: _____ ELEV. #: _____ H-W #: _____ DATE: _____
 EMAIL: _____ FROM (H-W): _____
 FAX NO: _____ FILL OUT SURVEY FORM AS COMPLETE AS POSSIBLE.

DOUBLE OPENING - RIGHT HAND DOOR - CWT. ON LEFT



MACHINE BEAM SIZE: _____ H. x _____ W.
 INDICATE MACHINE ROOM DOOR LOCATION & HAND

DIMENSIONS AT TIGHTEST POINT	
A	
B	
C	
D	
E	
F	
G	
H	
J	
K	
L	
M	
N	
O	
P	
Q	
R	
S	
T	
U	
V	
W	
X	
Y	
Z	
AA	
AB	
AC	
AD	



RAIL DIMENSIONS		
	CAR	CWT.
BA		
BB		
BC		
LB./FT.		



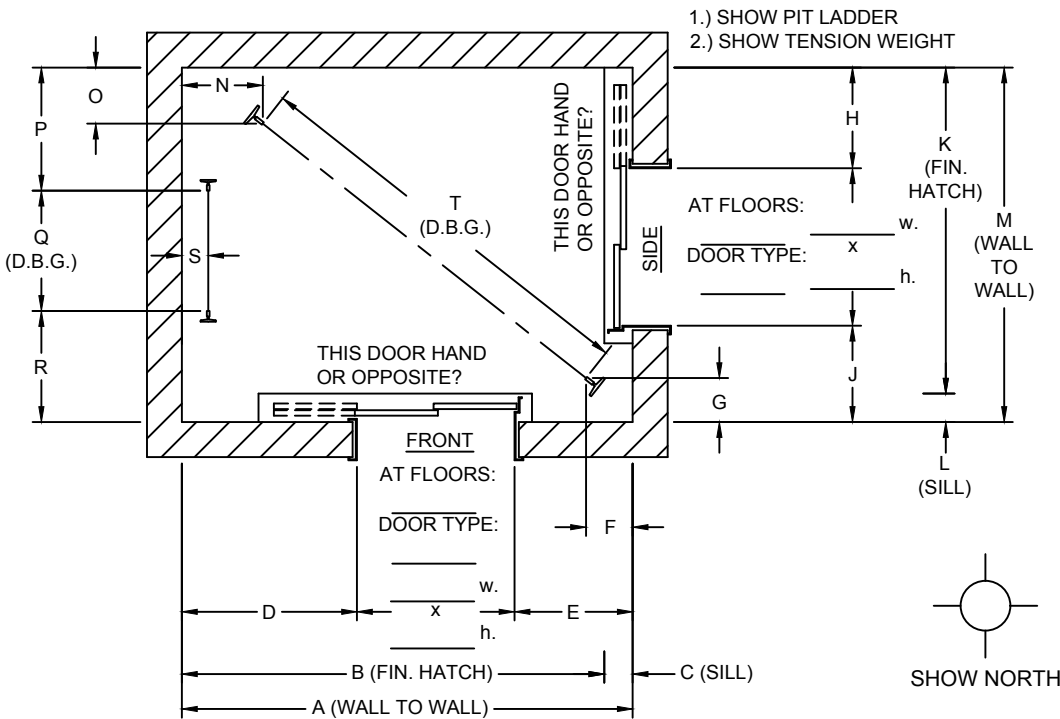
#1 Hollister-Whitney Parkway
 Quincy, IL 62305
 Phone: 217-222-0466
 Fax: 217-222-0493

Hollister-Whitney
 ELEVATOR CO. LLC

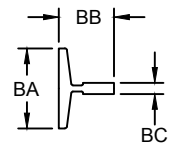
www.hollisterwhitney.com
 sales@hollisterwhitney.com
 layouts@hollisterwhitney.com
 engineering@hollisterwhitney.com

ENGINEERING CONTACT: _____ JOB NAME: _____
 COMPANY: _____ ELEV. #: _____ H-W #: _____ DATE: _____
 EMAIL: _____ FROM (H-W): _____
 FAX NO: _____ FILL OUT SURVEY FORM AS COMPLETE AS POSSIBLE.

CORNERPOST - FRONT AND RIGHT SIDE OPENINGS - CWT. ON LEFT



DIMENSIONS AT TIGHTEST POINT	
A	
B	
C	
D	
E	
F	
G	
H	
J	
K	
L	
M	
N	
O	
P	
Q	
R	
S	
T	
U	
V	
W	
X	
Y	
Z	
AA	
AB	
AC	
AD	



RAIL DIMENSIONS		
	CAR	CWT.
BA		
BB		
BC		
LB./FT.		

MACHINE BEAM SIZE: _____ H. x _____ W.
 INDICATE MACHINE ROOM DOOR LOCATION & HAND



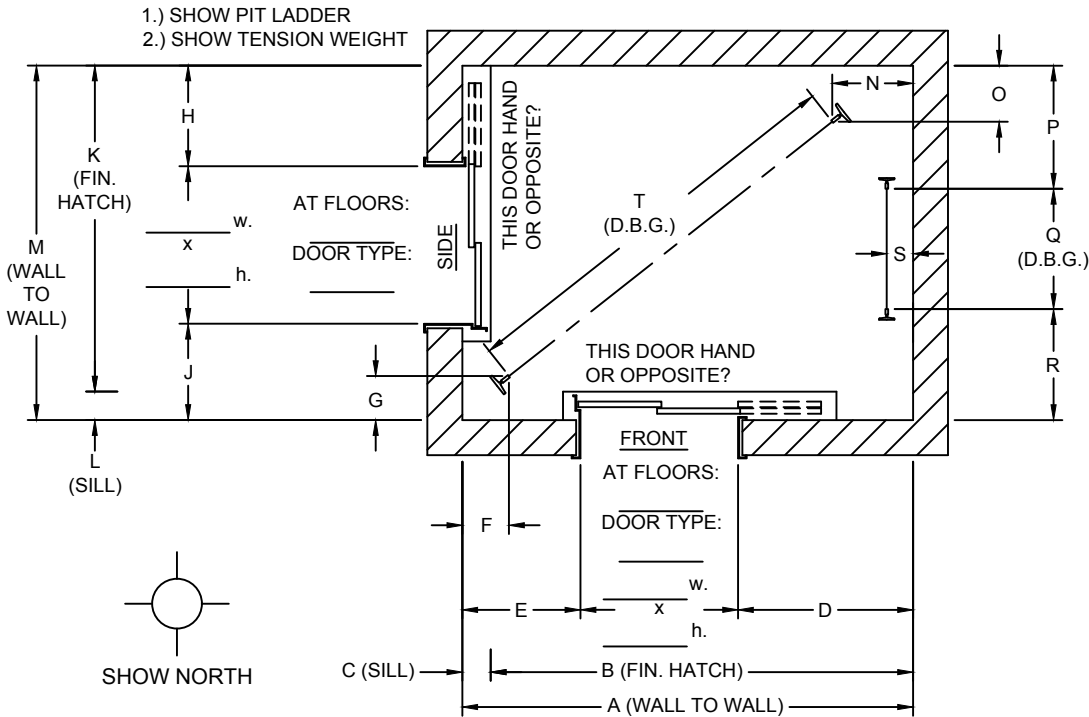
#1 Hollister-Whitney Parkway
 Quincy, IL 62305
 Phone: 217-222-0466
 Fax: 217-222-0493

Hollister-Whitney
 ELEVATOR CO. LLC

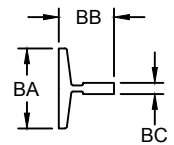
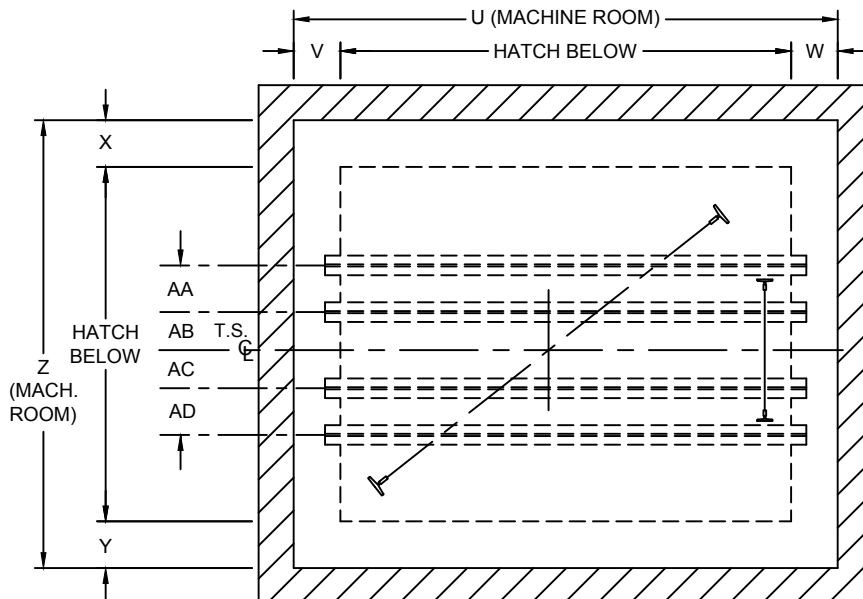
www.hollisterwhitney.com
 sales@hollisterwhitney.com
 layouts@hollisterwhitney.com
 engineering@hollisterwhitney.com

ENGINEERING CONTACT: _____ JOB NAME: _____
 COMPANY: _____ ELEV. #: _____ H-W #: _____ DATE: _____
 EMAIL: _____ FROM (H-W): _____
 FAX NO: _____ FILL OUT SURVEY FORM AS COMPLETE AS POSSIBLE.

CORNERPOST - FRONT AND LEFT SIDE OPENINGS - CWT. ON RIGHT



DIMENSIONS AT TIGHTEST POINT	
A	
B	
C	
D	
E	
F	
G	
H	
J	
K	
L	
M	
N	
O	
P	
Q	
R	
S	
T	
U	
V	
W	
X	
Y	
Z	
AA	
AB	
AC	
AD	



MACHINE BEAM SIZE: _____ H. x _____ W.
 INDICATE MACHINE ROOM DOOR LOCATION & HAND

RAIL DIMENSIONS		
	CAR	CWT.
BA		
BB		
BC		
LB./FT.		



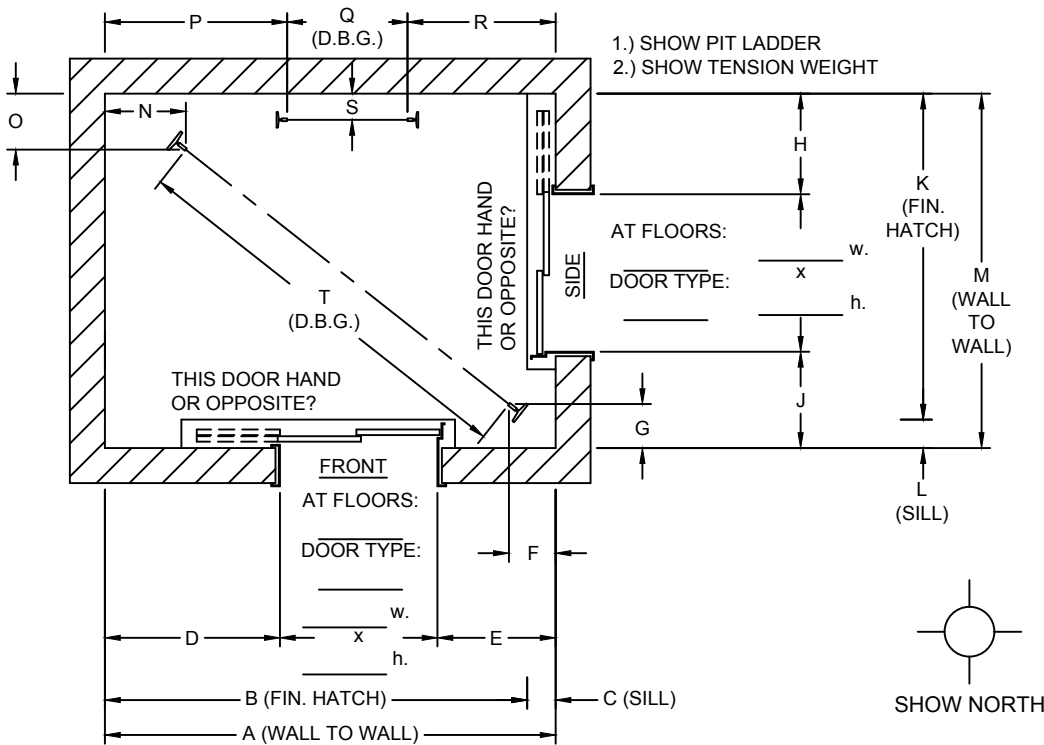
#1 Hollister-Whitney Parkway
 Quincy, IL 62305
 Phone: 217-222-0466
 Fax: 217-222-0493

Hollister-Whitney
 ELEVATOR CO. LLC

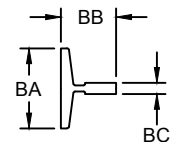
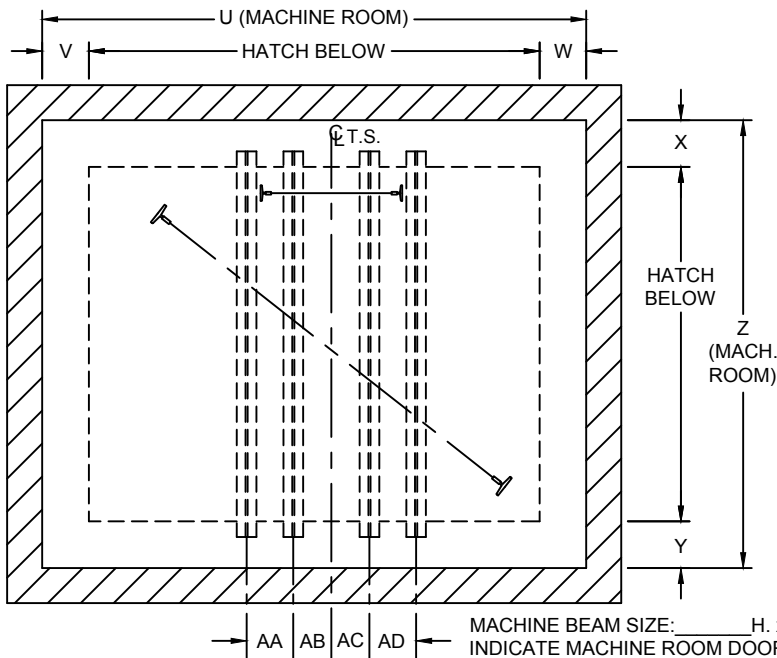
www.hollisterwhitney.com
 sales@hollisterwhitney.com
 layouts@hollisterwhitney.com
 engineering@hollisterwhitney.com

ENGINEERING CONTACT: _____ JOB NAME: _____
 COMPANY: _____ ELEV. #: _____ H-W #: _____ DATE: _____
 EMAIL: _____ FROM (H-W): _____
 FAX NO: _____ FILL OUT SURVEY FORM AS COMPLETE AS POSSIBLE.

CORNERPOST - FRONT AND RIGHT SIDE OPENINGS - CWT. AT REAR



DIMENSIONS AT TIGHTEST POINT	
A	
B	
C	
D	
E	
F	
G	
H	
J	
K	
L	
M	
N	
O	
P	
Q	
R	
S	
T	
U	
V	
W	
X	
Y	
Z	
AA	
AB	
AC	
AD	



RAIL DIMENSIONS		
	CAR	CWT.
BA		
BB		
BC		
LB./FT.		



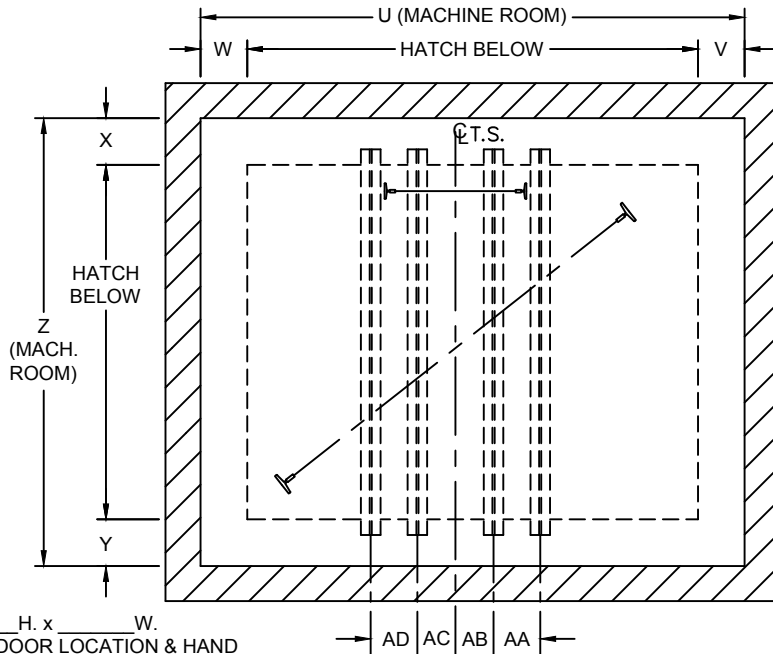
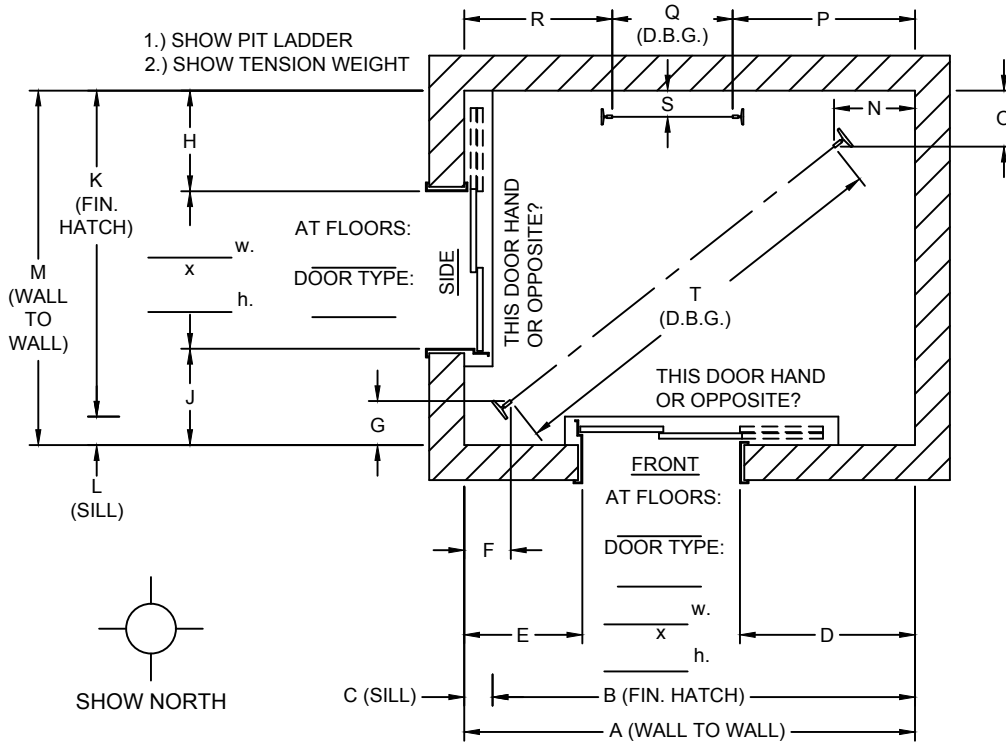
#1 Hollister-Whitney Parkway
 Quincy, IL 62305
 Phone: 217-222-0466
 Fax: 217-222-0493

Hollister-Whitney
 ELEVATOR CO. LLC

www.hollisterwhitney.com
 sales@hollisterwhitney.com
 layouts@hollisterwhitney.com
 engineering@hollisterwhitney.com

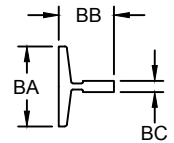
ENGINEERING CONTACT: _____ JOB NAME: _____
 COMPANY: _____ ELEV. #: _____ H-W #: _____ DATE: _____
 EMAIL: _____ FROM (H-W): _____
 FAX NO: _____ FILL OUT SURVEY FORM AS COMPLETE AS POSSIBLE.

CORNERPOST - FRONT AND LEFT SIDE OPENINGS - CWT. AT REAR



MACHINE BEAM SIZE: _____ H. x _____ W.
 INDICATE MACHINE ROOM DOOR LOCATION & HAND

DIMENSIONS AT TIGHTEST POINT	
A	
B	
C	
D	
E	
F	
G	
H	
J	
K	
L	
M	
N	
O	
P	
Q	
R	
S	
T	
U	
V	
W	
X	
Y	
Z	
AA	
AB	
AC	
AD	



RAIL DIMENSIONS		
	CAR	CWT.
BA		
BB		
BC		
LB./FT.		



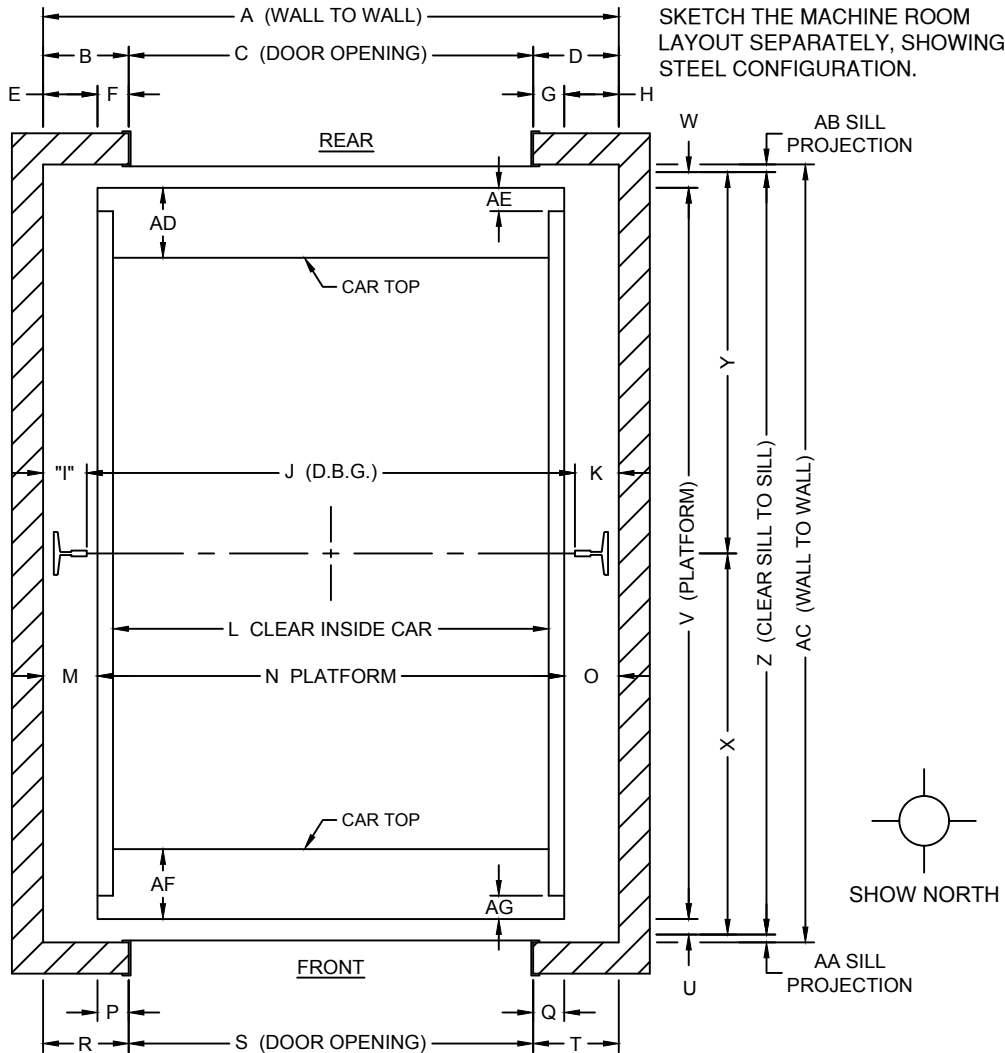
#1 Hollister-Whitney Parkway
 Quincy, IL 62305
 Phone: 217-222-0466
 Fax: 217-222-0493

Hollister-Whitney
 ELEVATOR CO. LLC

www.hollisterwhitney.com
 sales@hollisterwhitney.com
 layouts@hollisterwhitney.com
 engineering@hollisterwhitney.com

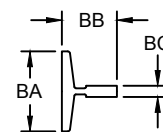
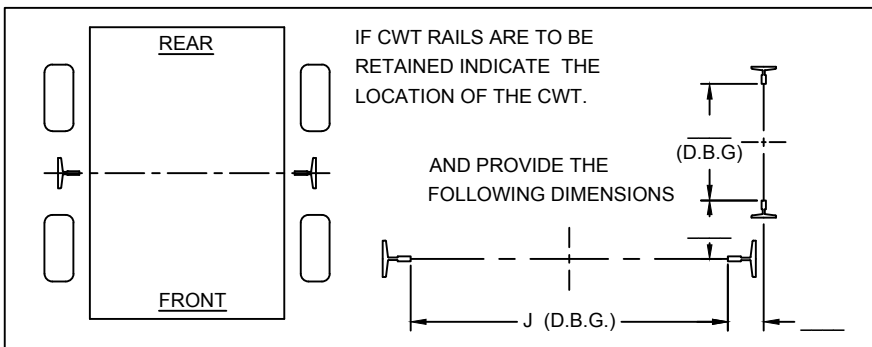
ENGINEERING CONTACT: _____ JOB NAME: _____
 COMPANY: _____ ELEV. #: _____ H-W #: _____ DATE: _____
 EMAIL: _____ FROM (H-W): _____
 FAX NO: _____ FILL OUT SURVEY FORM AS COMPLETE AS POSSIBLE.

FREIGHT PLAN VIEW



DIMENSIONS AT TIGHTEST POINT	
A	
B	
C	
D	
E	
F	
G	
H	
I	
J	
K	
L	
M	
N	
O	
P	
Q	
R	
S	
T	
U	
V	
W	
X	
Y	
Z	
AA	
AB	
AC	
AD	
AE	
AF	
AG	

- LOCATE CAMS, INTERLOCKS AND VISION PANEL (FRONT & REAR).
- IF GATE IS TO BE REUSED LOCATE & DIMENSION WEIGHT BOXES.



RAIL DIMENSIONS		
	CAR	CWT.
BA		
BB		
BC		
LB./FT.		



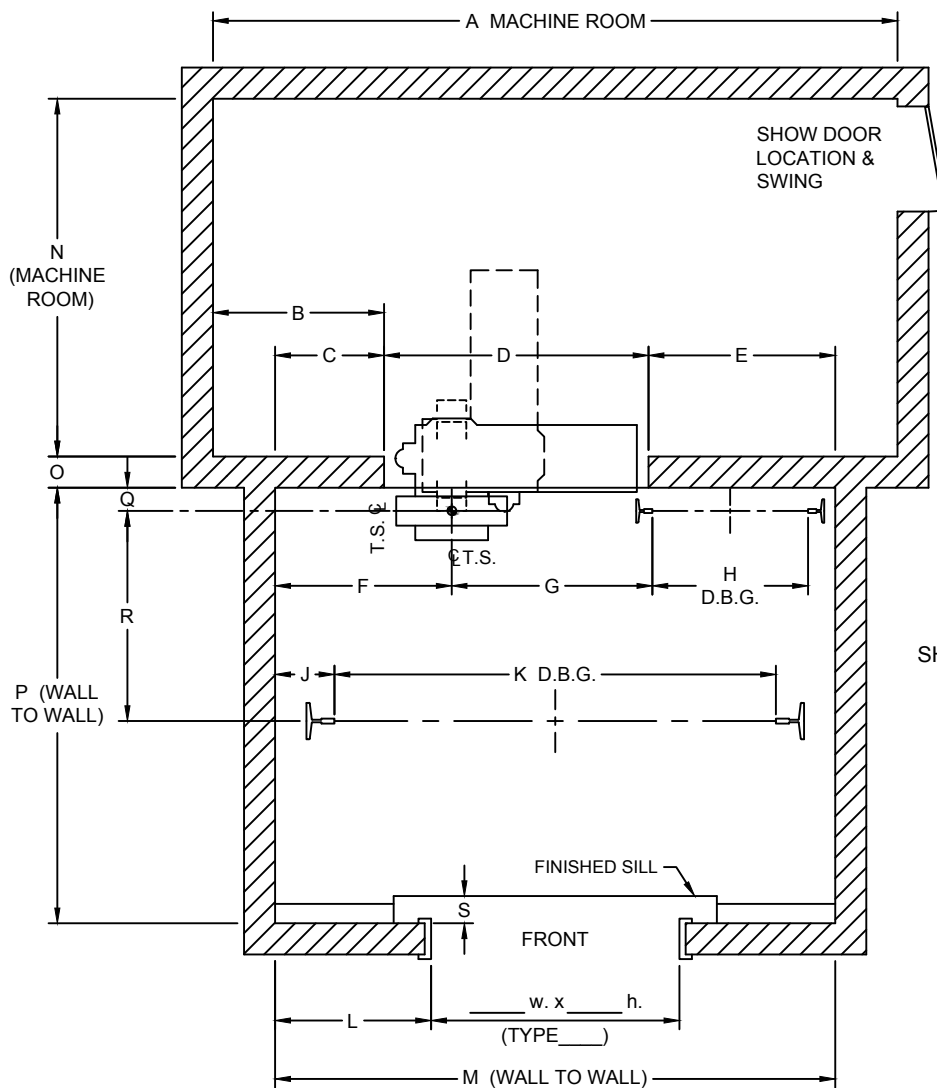
#1 Hollister-Whitney Parkway
 Quincy, IL 62305
 Phone: 217-222-0466
 Fax: 217-222-0493

Hollister-Whitney
 ELEVATOR CO. LLC

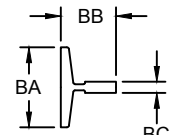
www.hollisterwhitney.com
 sales@hollisterwhitney.com
 layouts@hollisterwhitney.com
 engineering@hollisterwhitney.com

ENGINEERING CONTACT: _____ JOB NAME: _____
 COMPANY: _____ ELEV. #: _____ H-W #: _____ DATE: _____
 EMAIL: _____ FROM (H-W): _____
 FAX NO: _____ FILL OUT SURVEY FORM AS COMPLETE AS POSSIBLE.

BASEMENT-SET, MACHINE AT (LEFT) REAR & CWT AT (RIGHT) REAR



DIMENSIONS AT TIGHTEST POINT	
A	
B	
C	
D	
E	
F	
G	
H	
J	
K	
L	
M	
N	
O	
P	
Q	
R	
S	



RAIL DIMENSIONS		
	CAR	CWT.
BA		
BB		
BC		
LB./FT.		



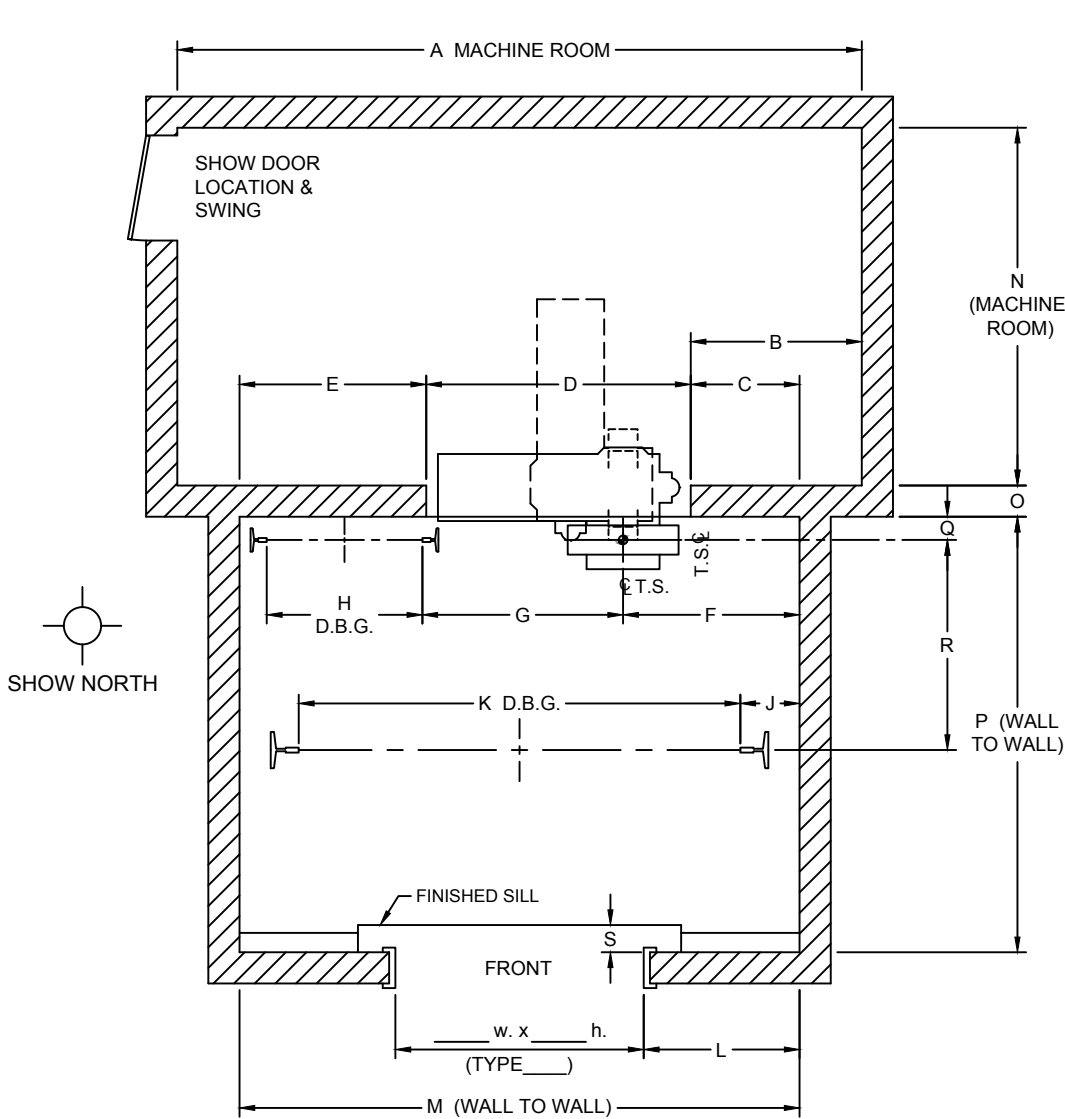
#1 Hollister-Whitney Parkway
 Quincy, IL 62305
 Phone: 217-222-0466
 Fax: 217-222-0493

Hollister-Whitney
 ELEVATOR CO. LLC

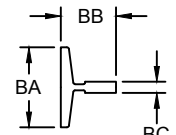
www.hollisterwhitney.com
 sales@hollisterwhitney.com
 layouts@hollisterwhitney.com
 engineering@hollisterwhitney.com

ENGINEERING CONTACT: _____ JOB NAME: _____
 COMPANY: _____ ELEV. #: _____ H-W #: _____ DATE: _____
 EMAIL: _____ FROM (H-W): _____
 FAX NO: _____ FILL OUT SURVEY FORM AS COMPLETE AS POSSIBLE.

BASEMENT-SET, MACHINE AT (RIGHT) REAR & CWT AT (LEFT) REAR



DIMENSIONS AT TIGHTEST POINT	
A	
B	
C	
D	
E	
F	
G	
H	
J	
K	
L	
M	
N	
O	
P	
Q	
R	
S	



RAIL DIMENSIONS		
	CAR	CWT.
BA		
BB		
BC		
LB./FT.		



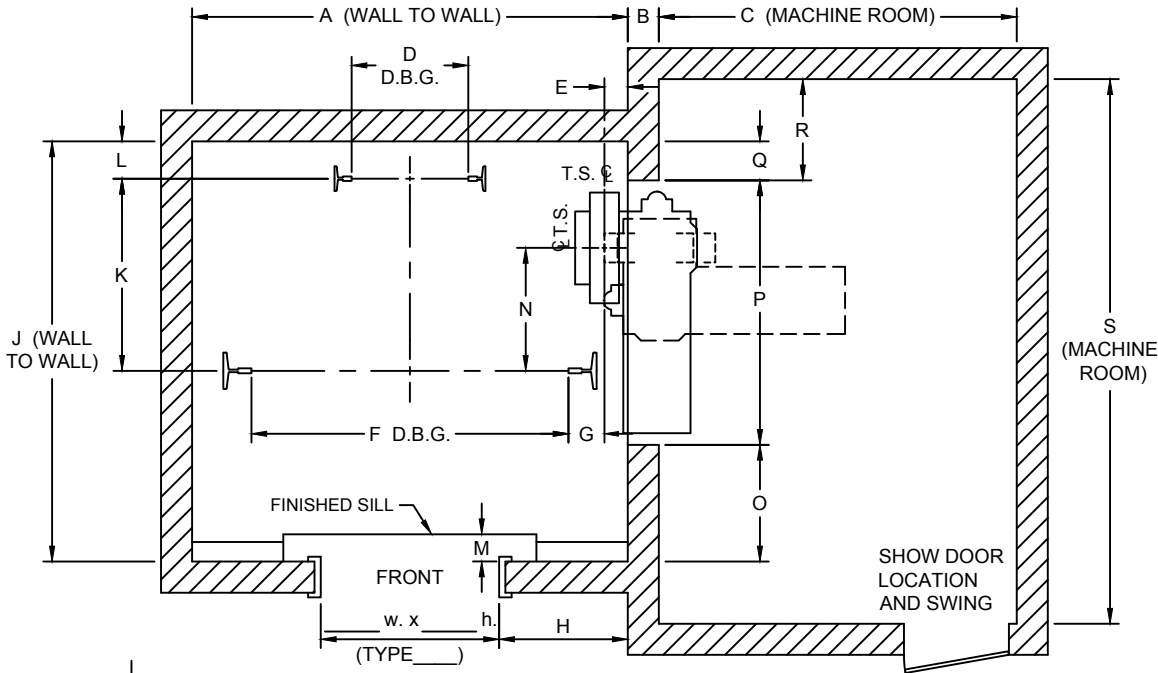
#1 Hollister-Whitney Parkway
 Quincy, IL 62305
 Phone: 217-222-0466
 Fax: 217-222-0493

Hollister-Whitney
 ELEVATOR CO. LLC

www.hollisterwhitney.com
 sales@hollisterwhitney.com
 layouts@hollisterwhitney.com
 engineering@hollisterwhitney.com

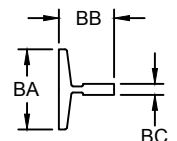
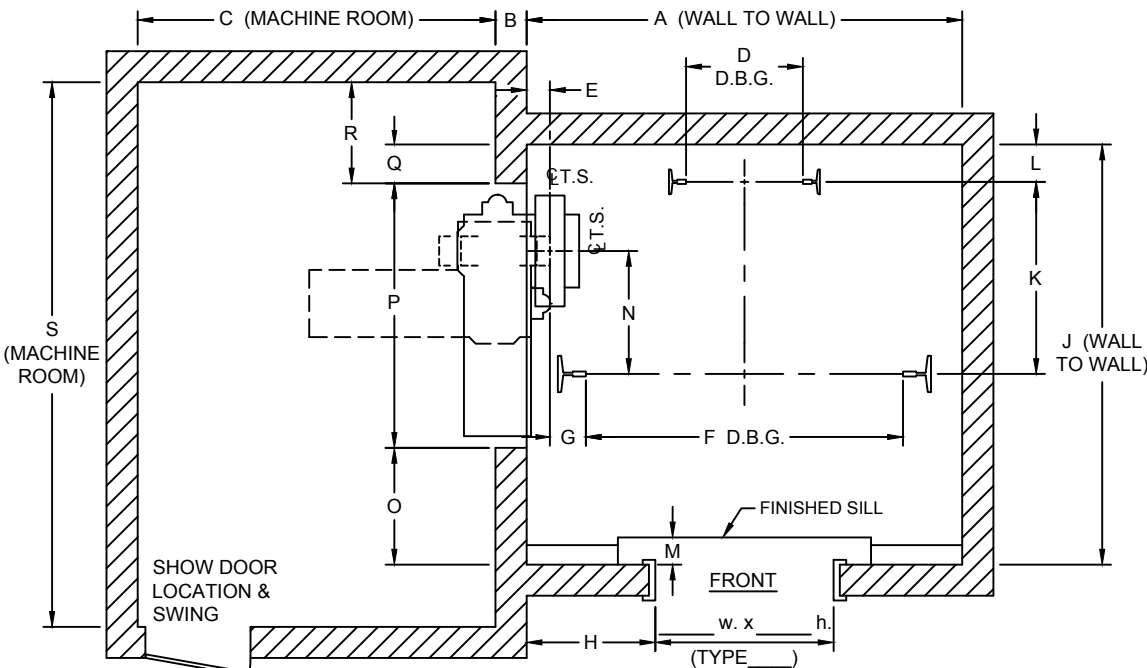
ENGINEERING CONTACT: _____ JOB NAME: _____
 COMPANY: _____ ELEV. #: _____ H-W #: _____ DATE: _____
 EMAIL: _____ FROM (H-W): _____
 FAX NO: _____ FILL OUT SURVEY FORM AS COMPLETE AS POSSIBLE.

BASEMENT-SET, MACHINE AT SIDE & CWT AT REAR



OR
 'X' OUT THE PLAN VIEW THAT DOES NOT APPLY

DIMENSIONS AT TIGHTEST POINT	
A	
B	
C	
D	
E	
F	
G	
H	
J	
K	
L	
M	
N	
O	
P	
Q	
R	
S	



RAIL DIMENSIONS		
	CAR	CWT.
BA		
BB		
BC		
LB./FT.		



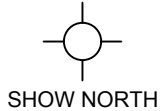
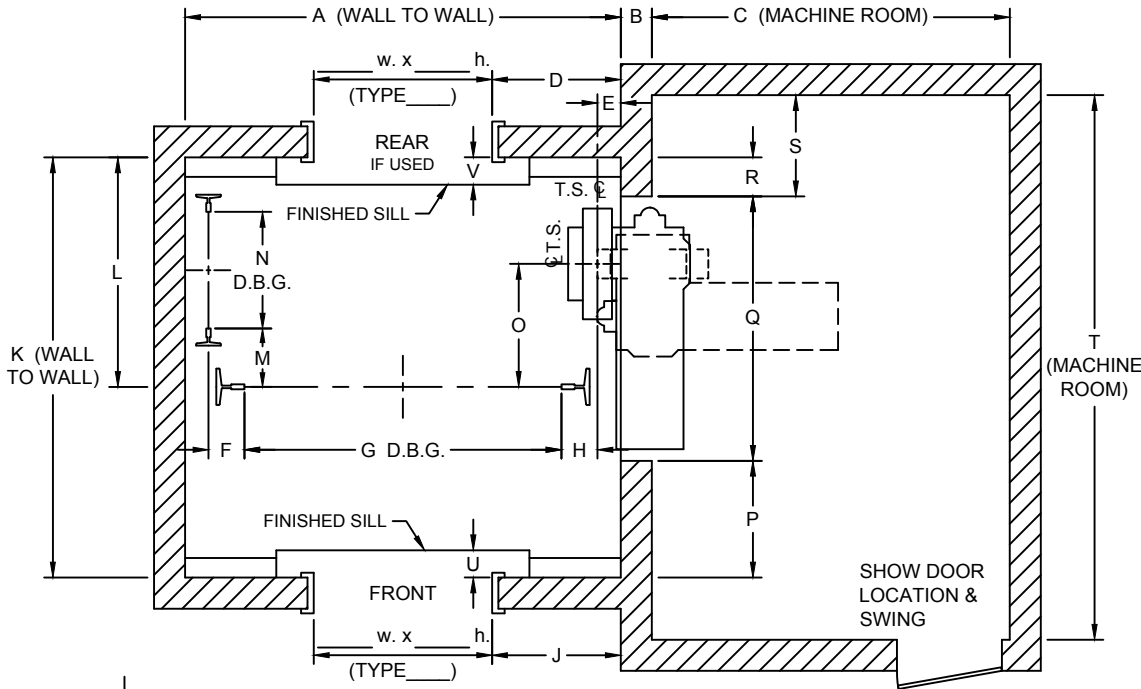
#1 Hollister-Whitney Parkway
 Quincy, IL 62305
 Phone: 217-222-0466
 Fax: 217-222-0493

Hollister-Whitney
 ELEVATOR CO. LLC

www.hollisterwhitney.com
 sales@hollisterwhitney.com
 layouts@hollisterwhitney.com
 engineering@hollisterwhitney.com

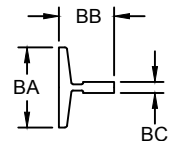
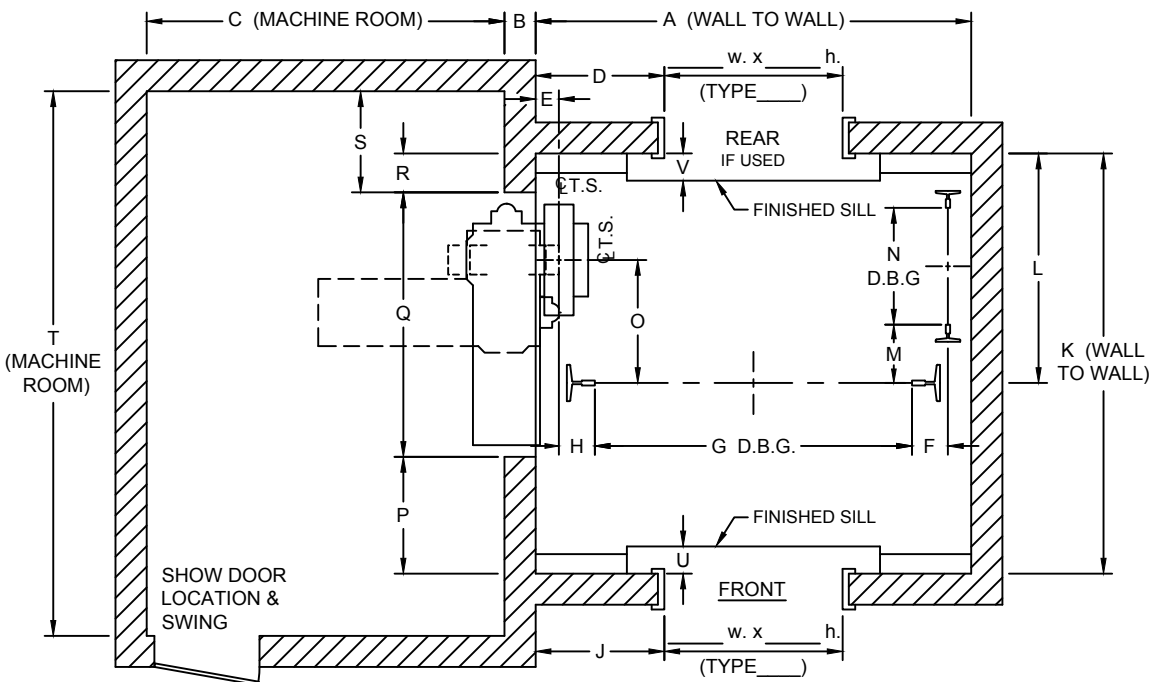
ENGINEERING CONTACT: _____ JOB NAME: _____
 COMPANY: _____ ELEV. #: _____ H-W #: _____ DATE: _____
 EMAIL: _____ FROM (H-W): _____
 FAX NO: _____ FILL OUT SURVEY FORM AS COMPLETE AS POSSIBLE.

BASEMENT-SET, MACHINE AT SIDE & CWT ON OPPOSITE SIDE



OR
 'X' OUT THE PLAN VIEW THAT DOES NOT APPLY

DIMENSIONS AT TIGHTEST POINT	
A	
B	
C	
D	
E	
F	
G	
H	
J	
K	
L	
M	
N	
O	
P	
Q	
R	
S	
T	
U	
V	



RAIL DIMENSIONS		
	CAR	CWT.
BA		
BB		
BC		
LB./FT.		



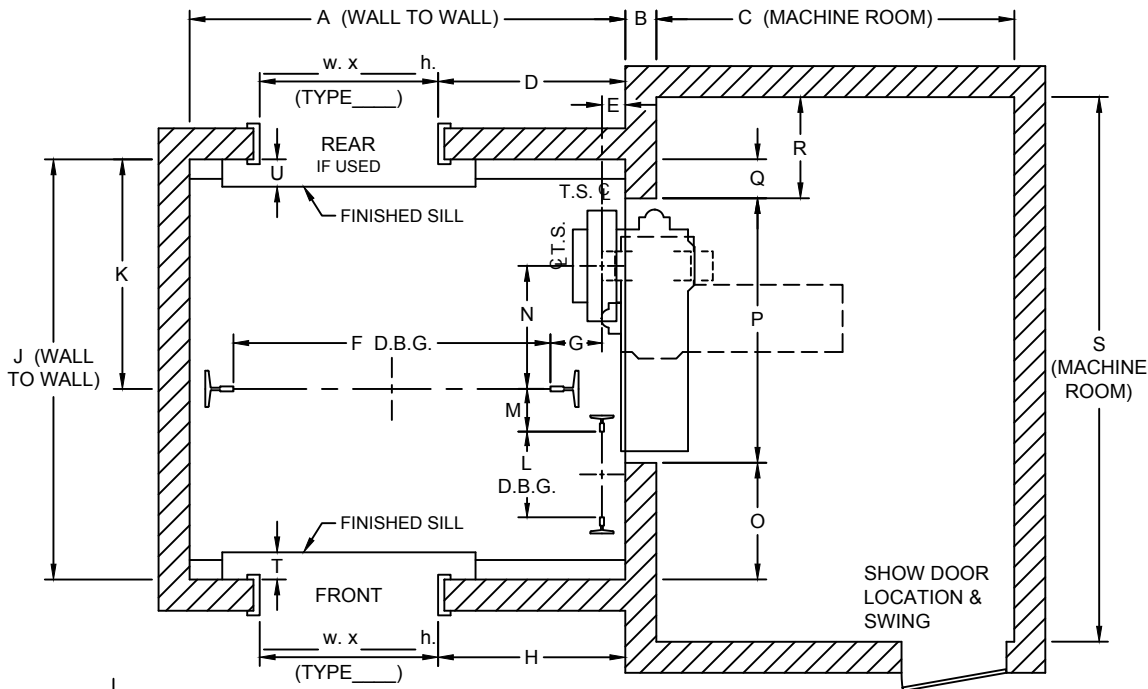
#1 Hollister-Whitney Parkway
 Quincy, IL 62305
 Phone: 217-222-0466
 Fax: 217-222-0493

Hollister-Whitney
 ELEVATOR CO. LLC

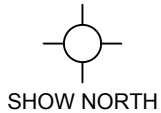
www.hollisterwhitney.com
 sales@hollisterwhitney.com
 layouts@hollisterwhitney.com
 engineering@hollisterwhitney.com

ENGINEERING CONTACT: _____ JOB NAME: _____
 COMPANY: _____ ELEV. #: _____ H-W #: _____ DATE: _____
 EMAIL: _____ FROM (H-W): _____
 FAX NO: _____ FILL OUT SURVEY FORM AS COMPLETE AS POSSIBLE.

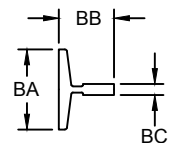
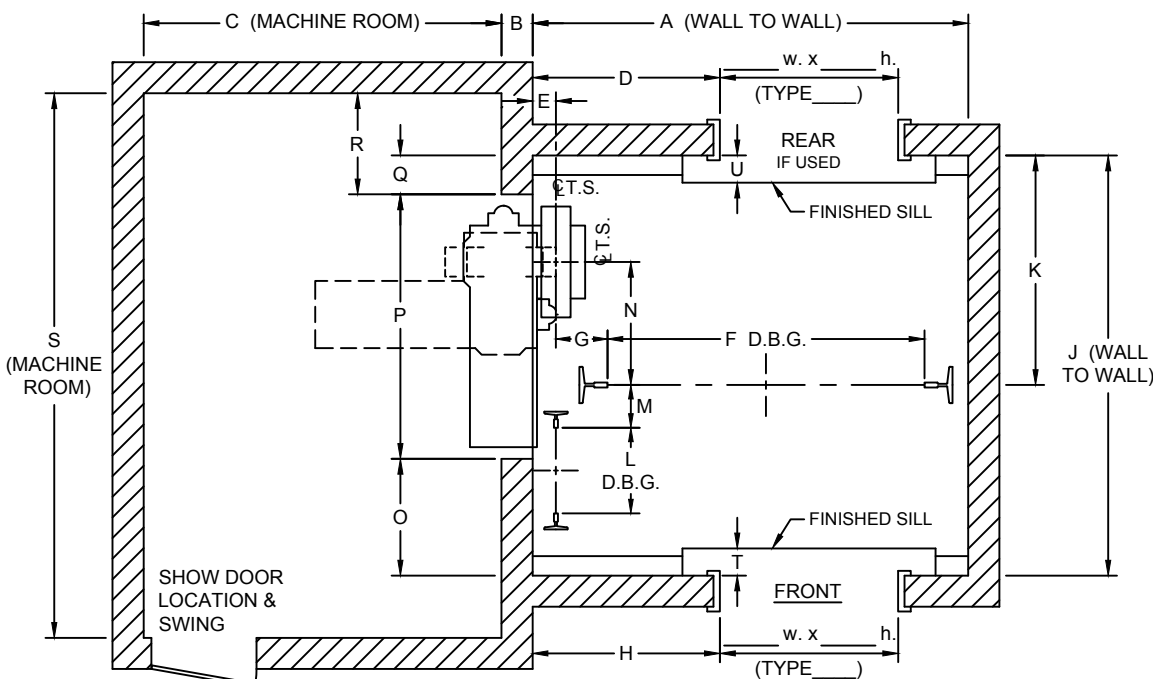
BASEMENT-SET, MACHINE AT SIDE & CWT ON SAME SIDE



DIMENSIONS AT TIGHTEST POINT	
A	
B	
C	
D	
E	
F	
G	
H	
J	
K	
L	
M	
N	
O	
P	
Q	
R	
S	
T	
U	



OR
 'X' OUT THE PLAN VIEW THAT DOES NOT APPLY



RAIL DIMENSIONS		
	CAR	CWT.
BA		
BB		
BC		
LB./FT.		



#1 Hollister-Whitney Parkway
 Quincy, IL 62305
 Phone: 217-222-0466
 Fax: 217-222-0493

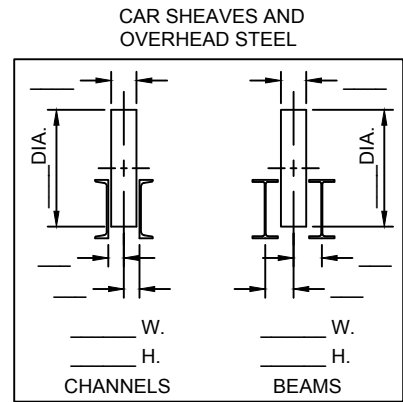
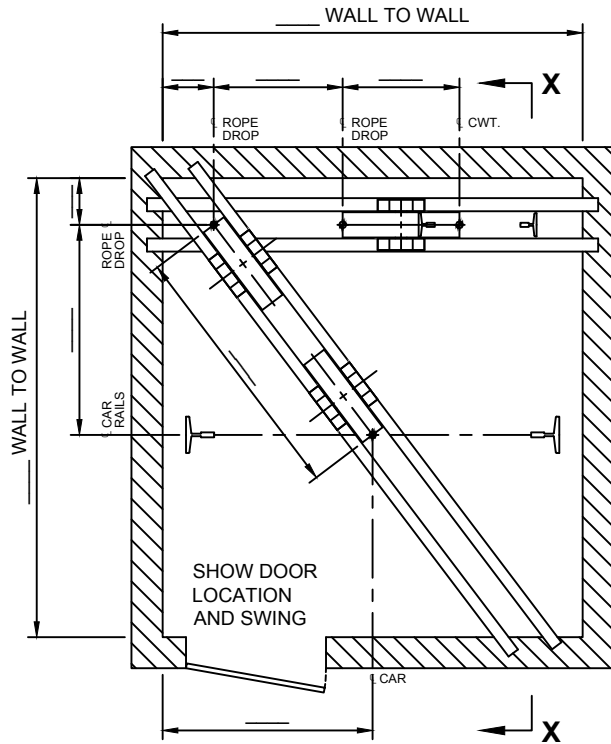
Hollister-Whitney
 ELEVATOR CO. LLC

www.hollisterwhitney.com
 sales@hollisterwhitney.com
 layouts@hollisterwhitney.com
 engineering@hollisterwhitney.com

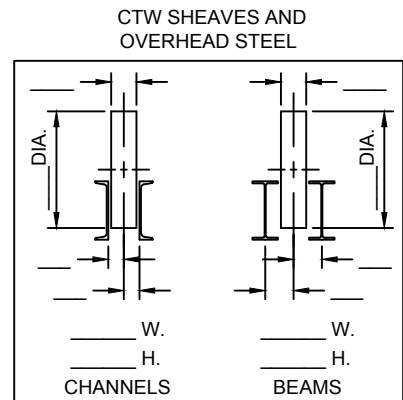
ENGINEERING CONTACT: _____
 COMPANY: _____
 EMAIL: _____
 FAX NO: _____

JOB NAME: _____
 ELEV. #: _____ H-W #: _____ DATE: _____
 FROM (H-W): _____
 FILL OUT SURVEY FORM AS COMPLETE AS POSSIBLE.

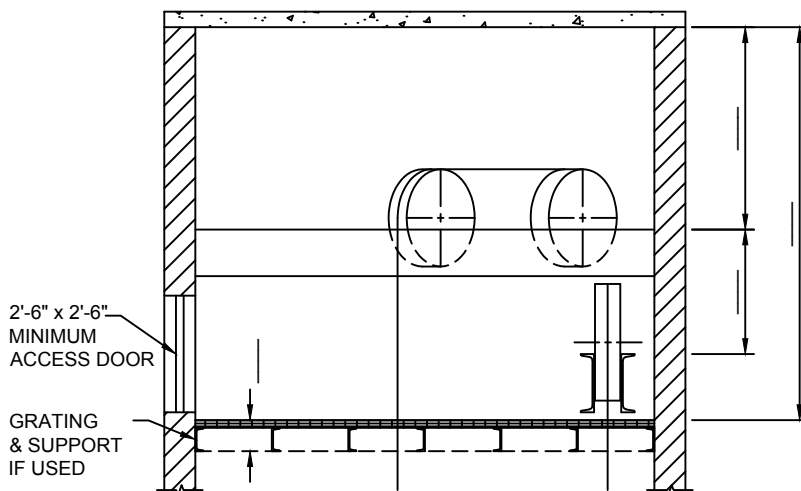
OVERHEAD STEEL BASEMENT-SET, MACHINE & CWT AT REAR



'X' OUT OVERHEAD STEEL THAT DOES NOT APPLY



'X' OUT OVERHEAD STEEL THAT DOES NOT APPLY



SECTION "X-X"



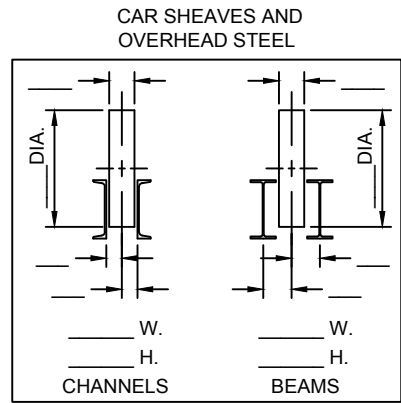
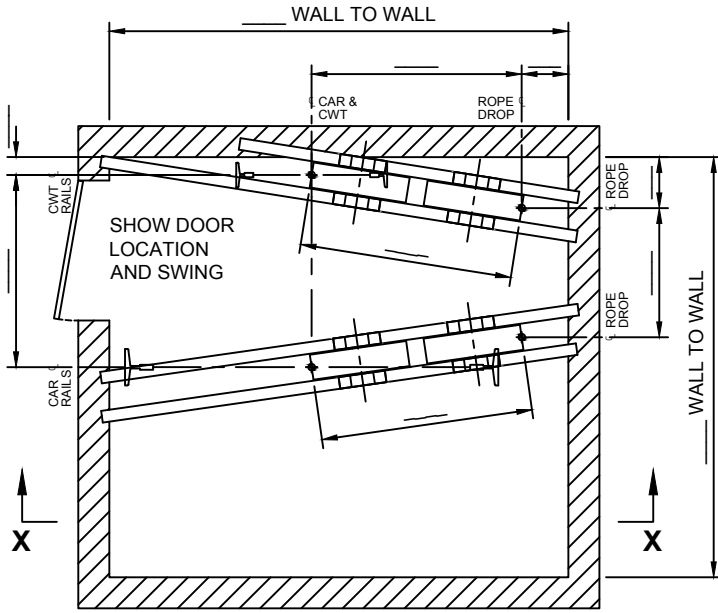
#1 Hollister-Whitney Parkway
 Quincy, IL 62305
 Phone: 217-222-0466
 Fax: 217-222-0493

Hollister-Whitney
 ELEVATOR CO. LLC

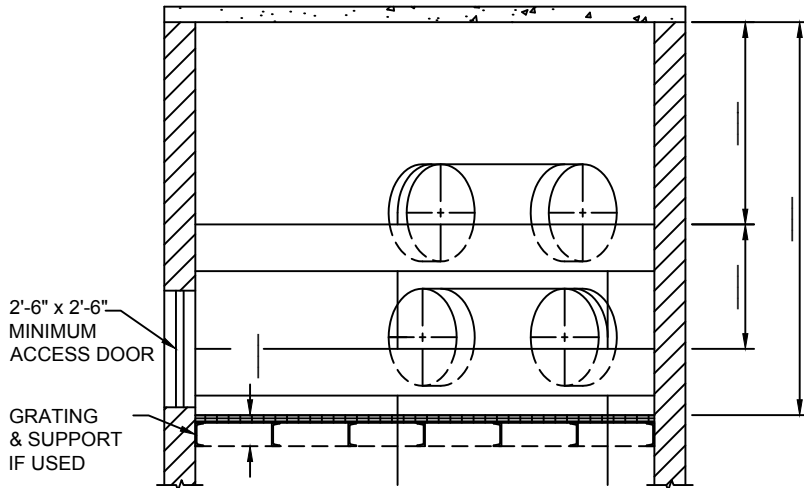
www.hollisterwhitney.com
 sales@hollisterwhitney.com
 layouts@hollisterwhitney.com
 engineering@hollisterwhitney.com

ENGINEERING CONTACT: _____ JOB NAME: _____
 COMPANY: _____ ELEV. #: _____ H-W #: _____ DATE: _____
 EMAIL: _____ FROM (H-W): _____
 FAX NO: _____ FILL OUT SURVEY FORM AS COMPLETE AS POSSIBLE.

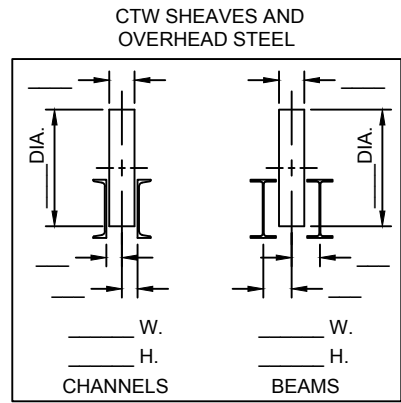
OVERHEAD STEEL BASEMENT-SET, MACHINE AT SIDE & CWT AT REAR



'X' OUT OVERHEAD STEEL THAT DOES NOT APPLY



SECTION "X-X"



'X' OUT OVERHEAD STEEL THAT DOES NOT APPLY



#1 Hollister-Whitney Parkway
 Quincy, IL 62305
 Phone: 217-222-0466
 Fax: 217-222-0493

Hollister-Whitney
 ELEVATOR CO. LLC

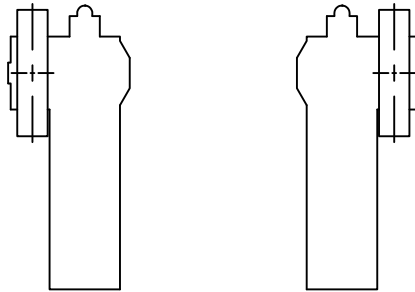
www.hollisterwhitney.com
 sales@hollisterwhitney.com
 layouts@hollisterwhitney.com
 engineering@hollisterwhitney.com

ENGINEERING CONTACT: _____ JOB NAME: _____
 COMPANY: _____ ELEV. #: _____ H-W #: _____ DATE: _____
 EMAIL: _____ FROM (H-W): _____
 FAX NO: _____ FILL OUT SURVEY FORM AS COMPLETE AS POSSIBLE.

EXISTING BASEMENT MACHINE SURVEY (FOR LAYOUTS)

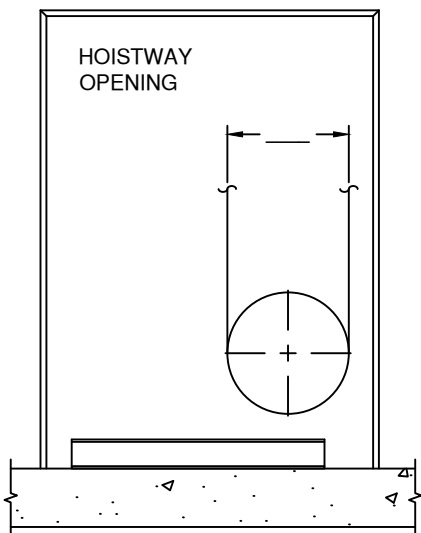
INSTRUCTIONS:

1. SELECT "HAND" OF MACHINE.
2. SELECT "TYPE" OF MACHINE ARRANGEMENT

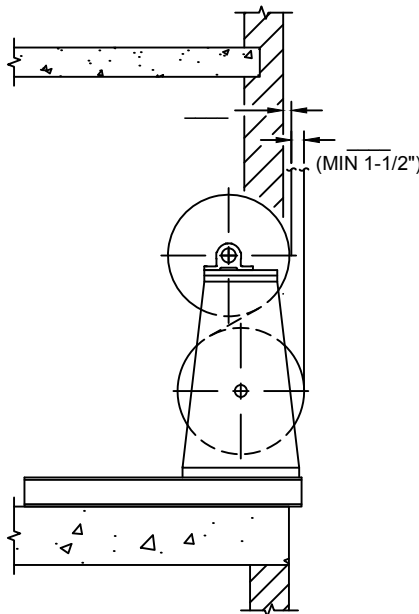


LEFT HAND RIGHT HAND

"HAND" OF BASEMENT SET MACHINES

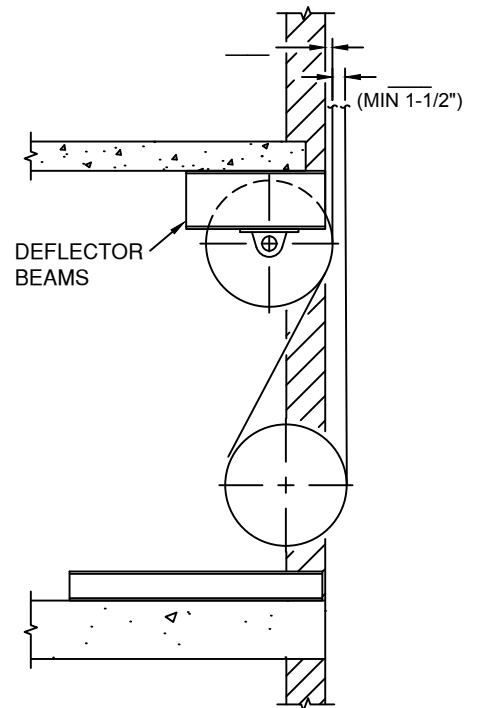


"B.S." BASEMENT SET MACHINES



"O.D." OVERHEAD DEFLECTOR
 BASEMENT SET MACHINES
 (WITH INTEGRATED
 DEFLECTOR SHEAVE)

"TYPE" OF BASEMENT SET MACHINES



"B.S." BASEMENT SET MACHINES
 (WITH SEPARATE
 DEFLECTOR SHEAVE)



#1 Hollister-Whitney Parkway
 Quincy, IL 62305
 Phone: 217-222-0466
 Fax: 217-222-0493

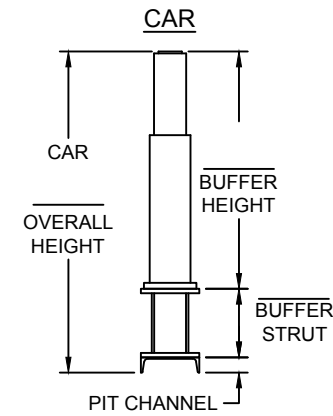
Hollister-Whitney
 ELEVATOR CO. LLC

www.hollisterwhitney.com
 sales@hollisterwhitney.com
 layouts@hollisterwhitney.com
 engineering@hollisterwhitney.com

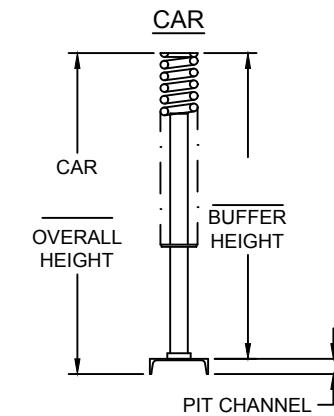
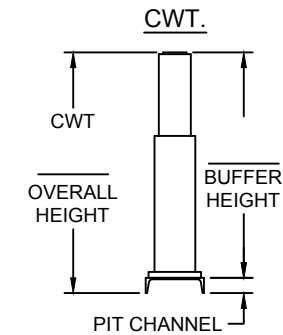
ENGINEERING CONTACT: _____ JOB NAME: _____
 COMPANY: _____ ELEV. #: _____ H-W #: _____ DATE: _____
 EMAIL: _____ FROM (H-W): _____
 FAX NO: _____ FILL OUT SURVEY FORM AS COMPLETE AS POSSIBLE.

**EXISTING BUFFERS, PIT CHANNELS, SAFETIES,
 GOVERNORS, TENSION WEIGHTS, MACHINE/SHEAVES**

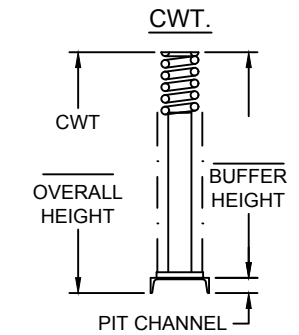
EXISTING BUFFERS



EXISTING OIL BUFFERS

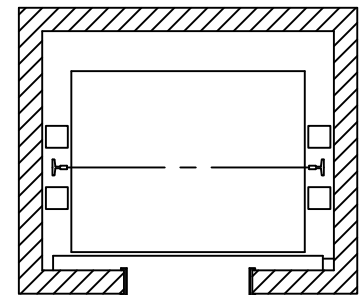
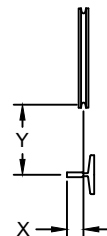


EXISTING SPRING BUFFERS



EXISTING SAFETY / GOVERNOR / TENSION WGT.

- SAFETY PULL-THRU IN POUNDS? _____
- INDICATE QUADRANT FOR GOVERNOR / TENSION WEIGHT
- INDICATE IF GOVERNOR FACES OUTWARD
- LOCATION OF SAFETY PICK-UP ARM? X= _____ Y= _____
- ROPE DIAMETER? _____
- RAIL SIZE? _____
- STILE CHANNEL SIZE? _____



EXISTING MACHINE / SHEAVES

- HOIST ROPES: QUANTITY _____ DIAMETER _____
- PITCH OF HOIST ROPES? (ϵ TO ϵ OF GROOVES ON FACE OF TRACTION SHEAVE): _____
- HAND OF MACHINE? (STANDING AT MOTOR END, WHICH SIDE IS T.S. LOCATED ON?) _____
- ROPING - 1:1 OR 2:1? _____
- DIAMETER OF EXISTING DEFLECTOR SHEAVE? _____
- DIAMETER OF EXISTING OVERHEAD SHEAVES? _____
- DIAMETER OF EXISTING CAR SHEAVE(S) _____
- DIAMETER OF EXISTING CWT. SHEAVE? _____



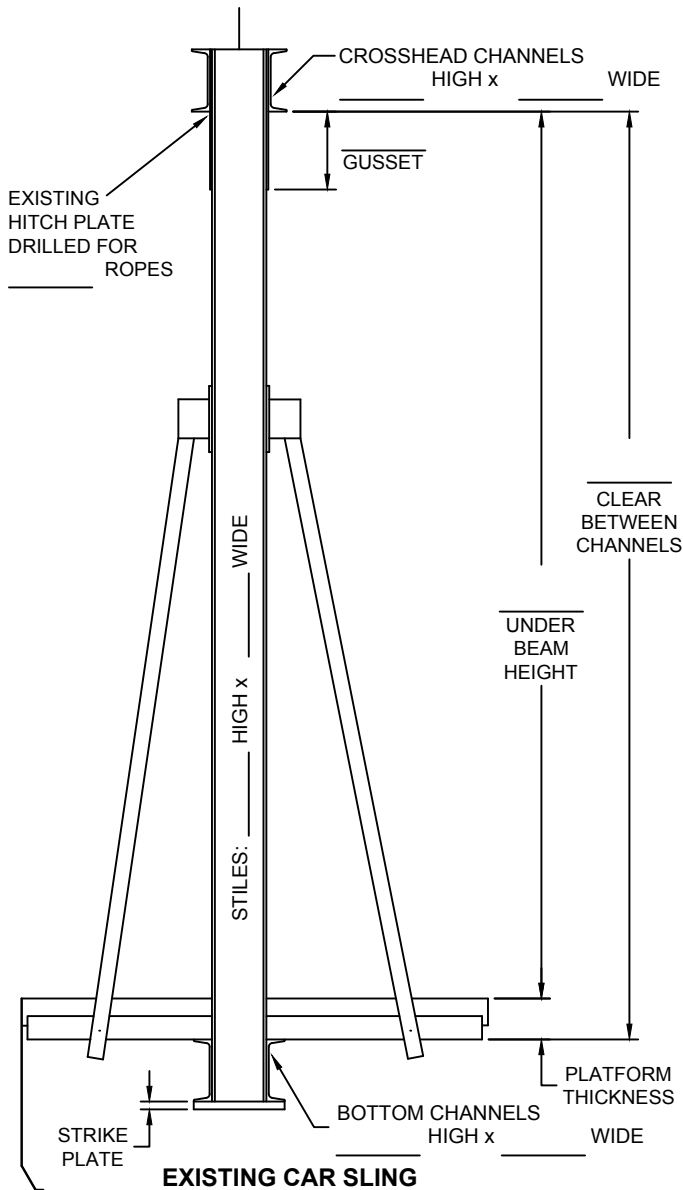
#1 Hollister-Whitney Parkway
 Quincy, IL 62305
 Phone: 217-222-0466
 Fax: 217-222-0493

Hollister-Whitney
 ELEVATOR CO. LLC

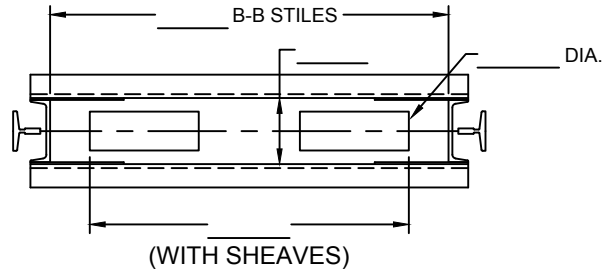
www.hollisterwhitney.com
 sales@hollisterwhitney.com
 layouts@hollisterwhitney.com
 engineering@hollisterwhitney.com

ENGINEERING CONTACT: _____ JOB NAME: _____
 COMPANY: _____ ELEV. #: _____ H-W #: _____ DATE: _____
 EMAIL: _____ FROM (H-W): _____
 FAX NO: _____ FILL OUT SURVEY FORM AS COMPLETE AS POSSIBLE.

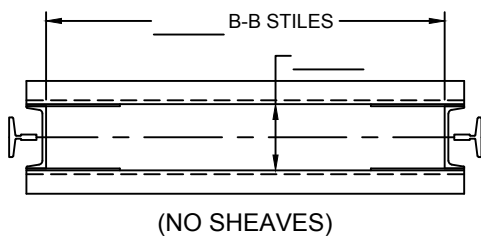
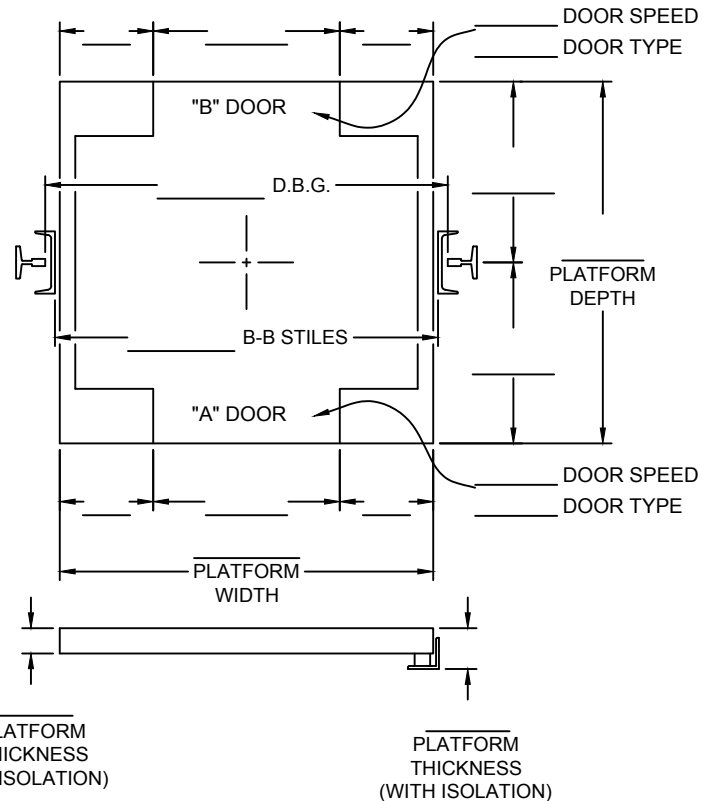
EXISTING CAR SLING AND PLATFORM



EXISTING CAR SLING



EXISTING PLATFORM



EXISTING WEIGHTS / DUTY

EXISTING TOTAL EMPTY CAR WEIGHT: _____
 EXISTING CAPACITY RATING: _____
 EXISTING CAR SPEED: _____
 EXISTING LOAD CLASSIFICATION: _____
 (PASSENGER OR CLASS A, B, C1, C2, C3)



#1 Hollister-Whitney Parkway
 Quincy, IL 62305
 Phone: 217-222-0466
 Fax: 217-222-0493

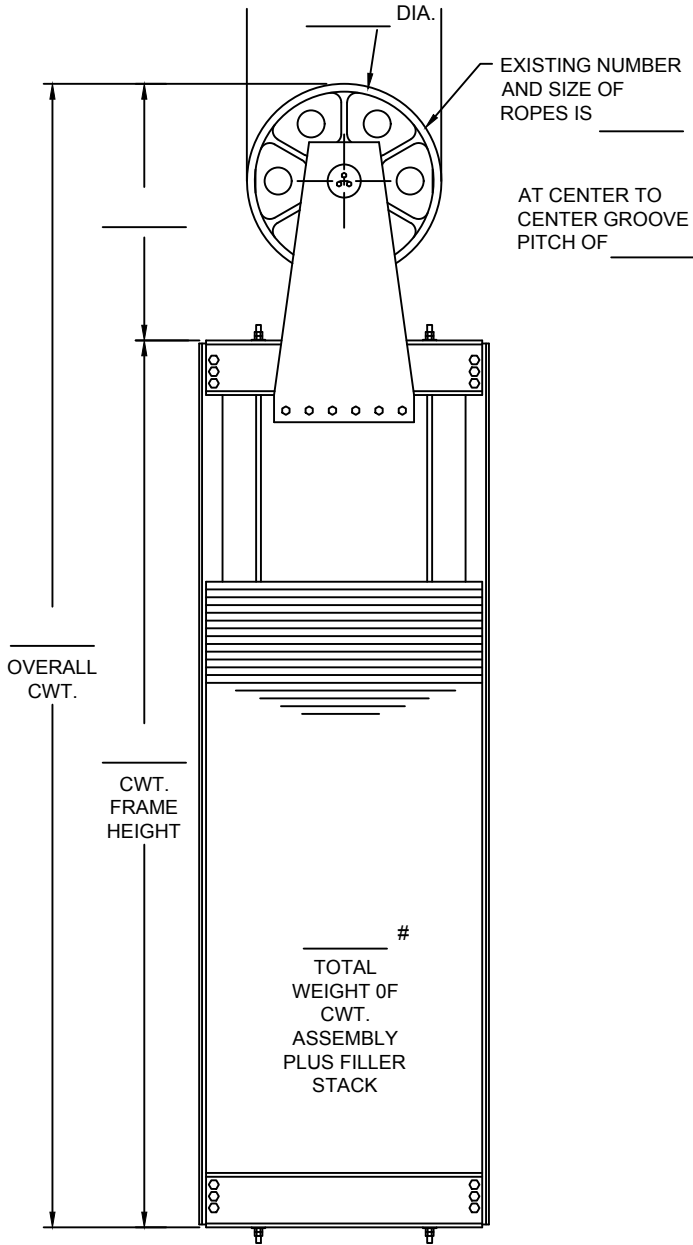
Hollister-Whitney
 ELEVATOR CO. LLC

www.hollisterwhitney.com
 sales@hollisterwhitney.com
 layouts@hollisterwhitney.com
 engineering@hollisterwhitney.com

ENGINEERING CONTACT: _____ JOB NAME: _____
 COMPANY: _____ ELEV. #: _____ H-W #: _____ DATE: _____
 EMAIL: _____ FROM (H-W): _____
 FAX NO: _____ FILL OUT SURVEY FORM AS COMPLETE AS POSSIBLE.

EXISTING COUNTERWEIGHT FRAME (WITH AND WITHOUT SHEAVE)

EXISTING COUNTERWEIGHT WITH SHEAVE



EXISTING COUNTERWEIGHT WITHOUT SHEAVE

