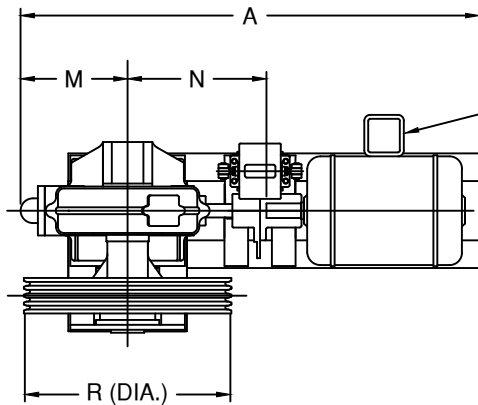


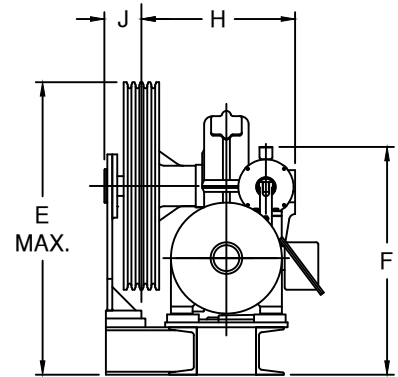
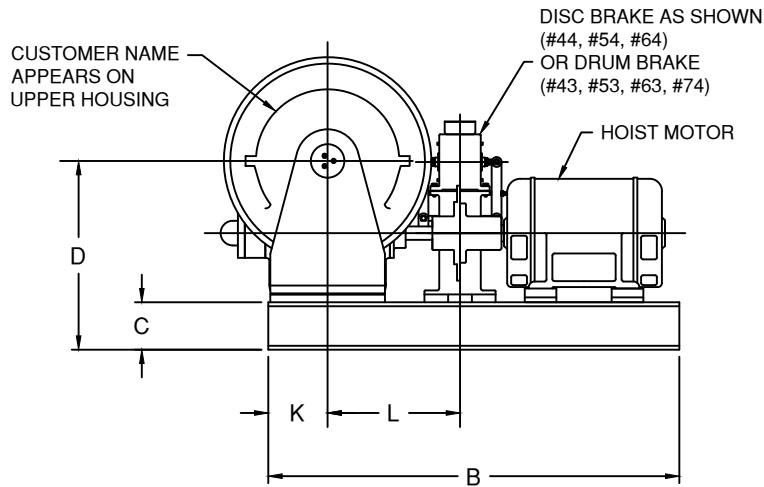
BASEMENT SET TRACTION MACHINE DIMENSIONS

MACH.	BRAKE	A	B	C	D	E	F	H	J	K	L	M	N	R (DIA.)	
														MIN.	MAX.
#44 B.S.	#102 DISC	58 3/8	52	6	23 7/8	37 7/8	28 7/8	20	5	7 1/2	15 5/16	13 7/8	17 9/16	20	28
#43 B.S.	#90 DRUM	58 3/8	52	6	23 7/8	37 7/8	36 3/4	20	5	7 1/2	16 3/4	13 7/8	17 3/8	20	28
#54 B.S.	#102 DISC	63 1/4	58	6	26 3/4	41 3/4	30 5/8	23 3/4	6 1/4	9 1/2	15 5/8	14 3/4	17 3/4	20	30
#53 B.S.	#100 DRUM	63 1/4	58	6	26 3/4	41 3/4	39	23 3/4	6 1/4	9 1/2	19	14 3/4	19 9/16	20	30
#64 B.S.	#112 DISC	73 1/4	66	8	33 1/4	51 1/4	34 1/2	25 1/2	7 3/4	11	17 5/8	18 1/4	19 7/8	25	36
#63 B.S.	#110 DRUM	73 1/4	66	8	33 1/4	51 1/4	45	25 1/2	7 3/4	11	23 3/8	18 1/4	24 3/8	25	36
#74 B.S.	#120 DRUM	82 13/16	76	10	40 13/16	59 13/16	46 5/8	31 3/4	10	12 1/2	23 3/4	19 5/16	24 3/4	32	38



NOTE:  
STANDARD LOCATION OF THE JUNCTION BOX IS ON THE RIGHT SIDE OF THE MOTOR AS SHOWN. THE JUNCTION BOX MAY BE LOCATED ON THE LEFT SIDE OF THE MOTOR IF REQUESTED BY THE CUSTOMER.

LEFT HAND MACHINE SHOWN,  
RIGHT HAND MACHINE SYMMETRICALLY  
OPPOSITE ABOUT  $\phi$  OF TRACTION SHEAVE.



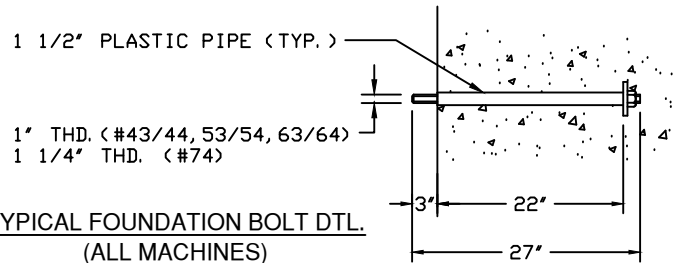
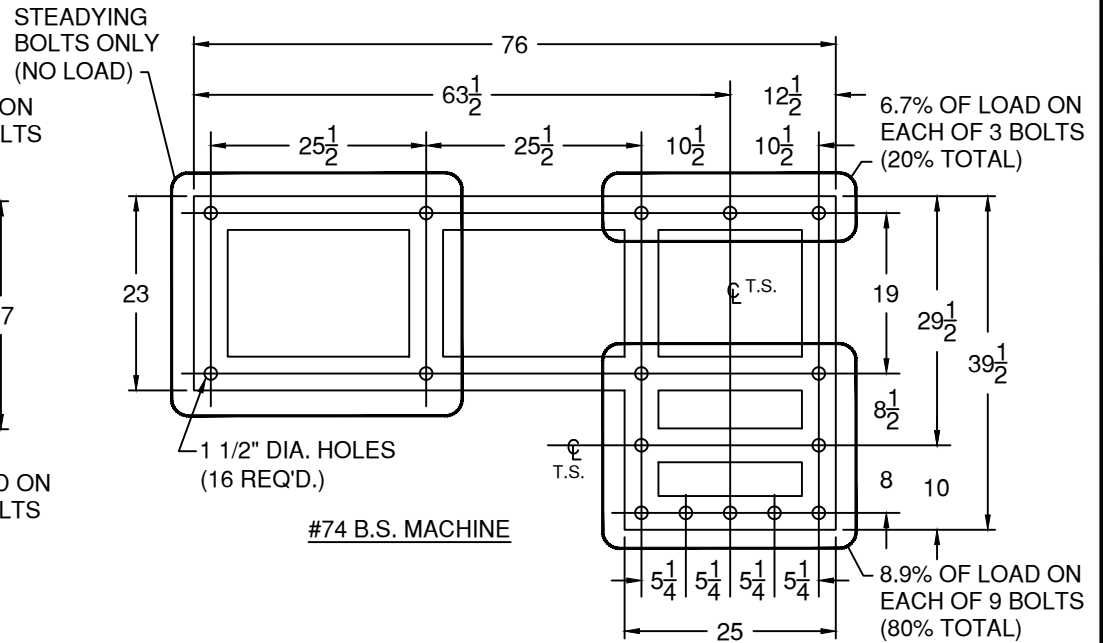
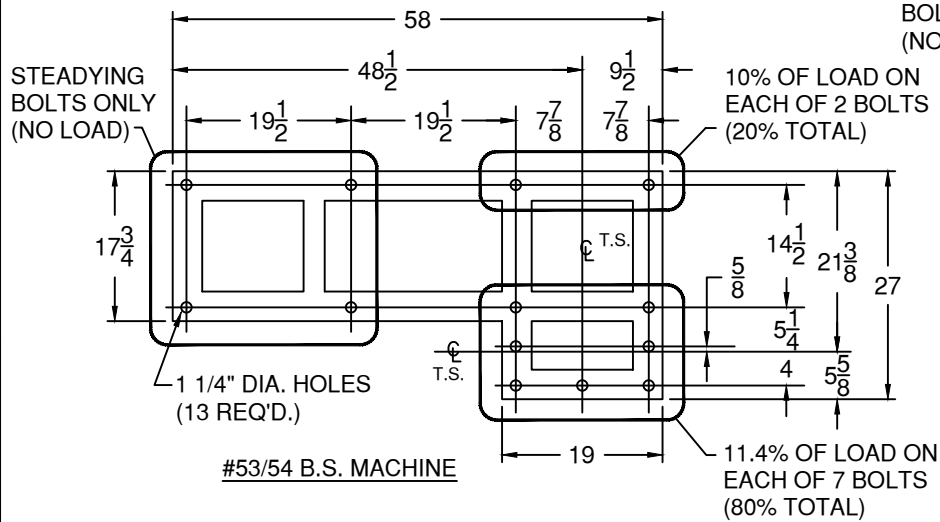
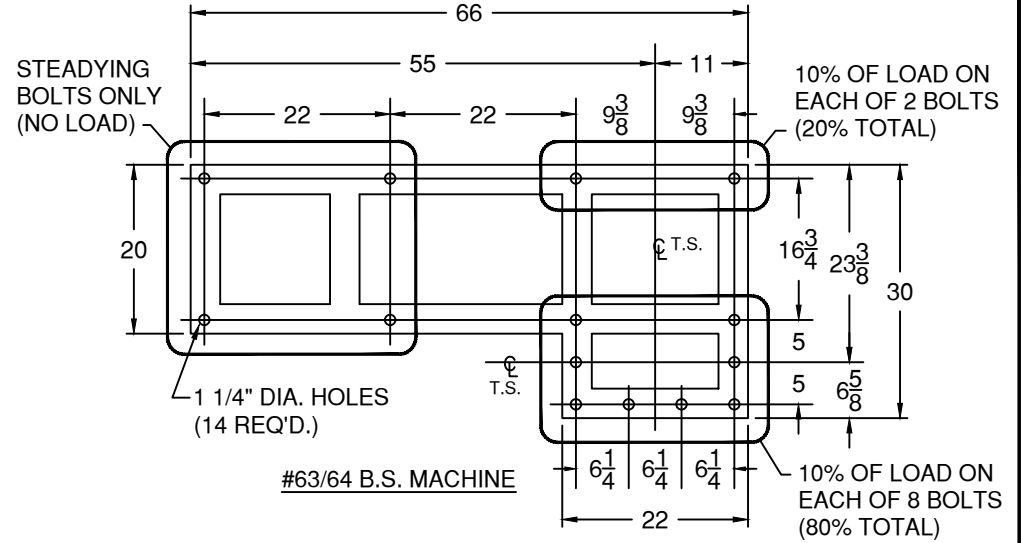
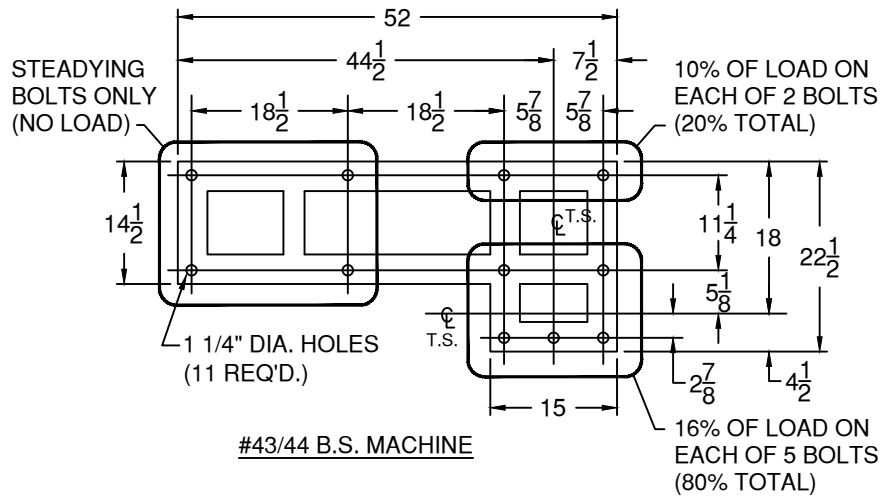
HOLLISTER-WHITNEY  
ELEVATOR CO. LLC  
QUINCY ILLINOIS

BASEMENT SET TRACTION  
MACHINES


PUR #475	12-3-2011
	11-13-2003

DIMENSIONAL  
SHEET

1108



RIGHT HAND MACHINES SHOWN.  
LEFT HAND MACHINE SYMMETRICALLY  
OPPOSITE ABOUT  $\bar{C}$  OF TRACTION SHEAVE

 HOLLISTER-WHITNEY ELEVATOR CO. LLC QUINCY ILLINOIS		
		BASEMENT SET MACHINE FOUNDATION BOLT LOADING DIAGRAM
11-1-10	BULLETIN	NO. 1108-FB
4-10-06		