

ENGINEERING CONTACT: _____
 COMPANY: _____
 EMAIL: _____
 FAX NO: _____

JOB NAME: _____
 ELEV. #: _____ H-W #: _____
 FROM (H-W): _____
 DATE: _____

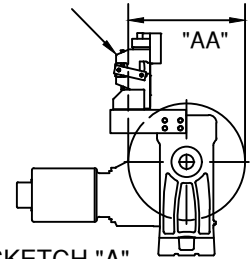
**INFORMATION REQUIRED TO MANUFACTURE
 GEARED BASEMENT SET MACHINES**

**GEARED MACHINES-
 BASEMENT APPLICATION**

- CAPACITY: _____
- CAR SPEED: _____
- EMPTY CAR WEIGHT: _____
- HAND OF MACHINE: LEFT RIGHT
- ROPING: 1:1 2:1
- TRAVEL: _____
- HOIST ROPES: QUANTITY _____ SIZE _____
- PITCH OF HOIST ROPES (C.L. TO C.L. OF GROOVES ON FACE OF TRACTION SHEAVE): _____
 (H-W STANDARD PITCH IS: ROPE DIAMETER + 1/4")
- IS COMPENSATION BEING USED? YES NO
- CERTIFIED OUTLINE DIMENSION PRINTS OF MOTOR WITH FULL LOAD R.P.M. INCLUDED
- MOTOR POWER SUPPLY: _____ VOLTAGE
- FOR EXISTING MOTORS ONLY, PLEASE FILL IN DIMENSIONS ON ENCLOSED BULLETIN #1109
- ASME A17 CODE COMPLIANCE TO WHICH YEAR REVISION: _____
- PRE 2013 CODE SEISMIC ZONE: 1 2A 2B 3 4
- "BS" MACHINES, TRACTION SHEAVE DIAMETER REQUIRED: _____ (SEE SKETCH "A" - DIMENSION "AA")
- "OD" MACHINES, PROVIDE ROPE OFFSET (SEE SKETCH "B" - DIMENSION "BA").
- IS ROPE GRIPPER MOUNTING REQUIRED ON THE MACHINE: YES NO

**ENGINEERING INFORMATION:
 WE REQUIRE ALL MARKED ITEMS
 AND FILL IN ANY BLANK FIELDS
 ASSOCIATED WITH THOSE ITEMS**

OPTIONAL ROPE GRIPPER MOUNT



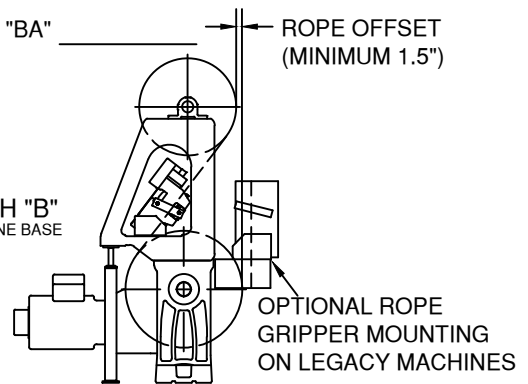
SKETCH "A"
 BS MACHINE BASE

SHEAVES (OVERHEAD/CAR/CWT.)

- QUANTITY: CAR SHEAVES _____ CWT. SHEAVES _____
- DIAMETER: CAR SHEAVES _____ CWT. SHEAVES _____
- HOIST ROPES: QUANTITY _____
- HOIST ROPES: SIZE _____
- PITCH OF HOIST ROPES: _____
- CAR BEAM / CHANNEL SIZE: _____" HIGH x _____" WIDE
- CWT BEAM / CHANNEL SIZE: _____" HIGH x _____" WIDE
- CAR & CWT BEAM / CHANNEL SPACING :
- BEAMS - SKETCH "C" - DIMENSIONS "CC"/ "CD"
- CHANNELS - SKETCH "D" - DIMENSIONS "DD"/ "DE"

"BA" ROPE OFFSET (MINIMUM 1.5")

SKETCH "B"
 OD MACHINE BASE



OPTIONAL ROPE GRIPPER MOUNTING ON LEGACY MACHINES

