

ENGINEERING CONTACT: _____ JOB NAME: _____
 COMPANY: _____ ELEV. #: _____ H-W #: _____
 EMAIL: _____ FROM (H-W): _____
 FAX NO: _____ DATE: _____

**INFORMATION REQUIRED TO MANUFACTURE
 GEARLESS OVERHEAD MACHINES**

**GEARLESS MACHINES-
 OVERHEAD APPLICATION**

- CAPACITY: _____
- CAR SPEED: _____
- EMPTY CAR WEIGHT: _____
- ROPING: 1:1 2:1 1:1 DOUBLE WRAP 2:1 DOUBLE WRAP
- TRAVEL: _____
- HOIST ROPES: QUANTITY _____ SIZE _____
- PITCH OF HOIST ROPES (C.L. TO C.L. OF GROOVES ON FACE OF TRACTION SHEAVE): _____
- IS COMPENSATION BEING USED? YES NO
- ARE YOU RETAINING AN EXISTING DEFLECTOR SHEAVE: YES DIA. _____ NO
- IF NOT, WHAT DIAMETER TRACTION SHEAVE IS REQUIRED: 15"DIA. 20"DIA. 25"DIA.
- PROVIDE THE CAR TO CWT. ROPE DROP DISTANCE (SEE SKETCH "A" - DIM "AA"): _____
- MACHINE POWER SUPPLY: _____ VOLTAGE
- CONTROLLER MANUFACTURER: _____
- DRIVE MANUFACTURER: KEB MAGNETEK OTHER (CABLE BY CUSTOMER)
- IS MANUAL BRAKE RELEASE CABLE REQUIRED? YES NO
- IF SO, SPECIFY LENGTH (STANDARD IS 8'-0"): _____
 (IF USING G.A.L. CONTROL, CONFIRM WITH THEM IF BRAKE RELEASE CABLE IS REQUIRED)
- ENCODER CABLE LENGTH (STANDARD IS 20 METER [65.6']): _____
- ASME A17 CODE COMPLIANCE TO WHICH YEAR REVISION: _____
- PRE 2013 CODE SEISMIC ZONE: 1 2A 2B 3 4

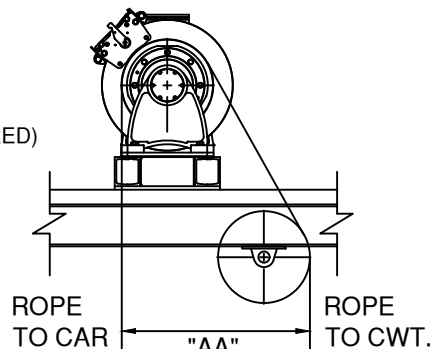
**ENGINEERING INFORMATION:
 WE REQUIRE ALL MARKED ITEMS
 AND FILL IN ANY BLANK FIELDS
 ASSOCIATED WITH THOSE ITEMS**

SHEAVES

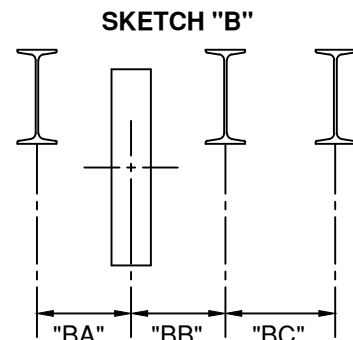
- HOIST ROPES: QUANTITY _____ SIZE _____
- PITCH OF HOIST ROPES: _____
- BEAM SPACING (SEE SKETCH "B" - DIMENSION "BA", "BB" & "BC")
- IF DEFLECTOR MOUNTING IN MACHINE ROOM SEE ATTACHED SURVEY E-147-2
- A NEW DEFLECTOR SHEAVE IS REQUIRED, DIAMETER: _____

MACHINE ISOLATION

- IS FLOOR SLAB EXISTING? YES NO
- FLOOR SLAB THICKNESS: _____
- ABOVE THE MACHINE BEAMS YES NO
- BEAM / CHANNEL SIZE: _____ " HIGH x _____ " WIDE
- BEAM SPACING (SEE SKETCH "B" - DIMENSION "BA", "BB" & "BC")



SKETCH "A"



SKETCH "B"