

ENGINEERING CONTACT: _____
 COMPANY: _____
 EMAIL: _____
 FAX NO: _____

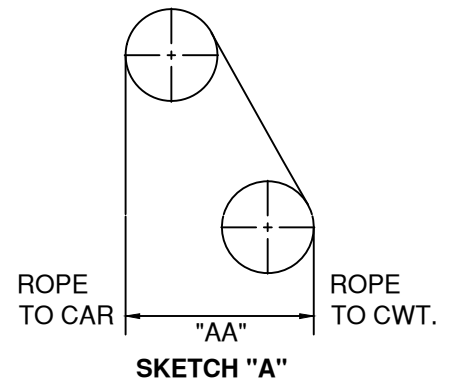
JOB NAME: _____
 ELEV. #: _____ H-W #: _____
 FROM (H-W): _____
 DATE: _____

**INFORMATION REQUIRED TO MANUFACTURE
 GEARED OVERHEAD MACHINES**

**GEARED MACHINES-
 OVERHEAD APPLICATION**

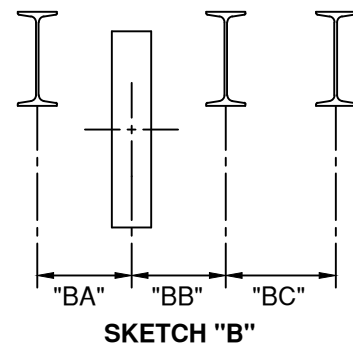
- CAPACITY: _____
- CAR SPEED: _____
- EMPTY CAR WEIGHT: _____
- HAND OF MACHINE: LEFT RIGHT
- ROPING: 1:1 2:1
- TRAVEL: _____
- HOIST ROPES: QUANTITY _____ SIZE _____
- PITCH OF HOIST ROPES (C.L. TO C.L. OF GROOVES ON FACE OF TRACTION SHEAVE): _____
- (H-W STANDARD PITCH IS: ROPE DIAMETER + 1/4")
- IS COMPENSATION BEING USED? YES NO
- NEW CONTROLLER OR RETAIN EXISTING? NEW RETAINED. IF RETAINED, PROVIDE:
 - EXISTING CONTROLLER MANUFACTURER: _____
 - EXISTING MOTOR TYPE: A/C VVVF A/C SINGLE SPEED A/C 2-SPEED D/C
 - EXISTING MOTOR HP: _____ EXISTING MOTOR RPM: _____
 - IS H-W TO BUILD TO THESE EXISTING RATINGS? YES NO
- MOTOR POWER SUPPLY: _____ VOLTAGE
- FOR NEW MOTORS BY OTHERS (NOT H-W), PROVIDE CERTIFIED OUTLINE DIMENSION PRINTS OF MOTOR (INCLUDE FULL LOAD R.P.M.)
- FOR RETAINED MOTORS WITH NEW CONTROLLERS, FILL IN DIMENSIONS ON ENCLOSED BULLETIN #1109 AND:
 - EXISTING MOTOR TYPE: A/C VVVF A/C SINGLE SPEED A/C 2-SPEED D/C
 - EXISTING MOTOR HP: _____
 - EXISTING MOTOR RPM: _____
- ASME A17 CODE COMPLIANCE TO WHICH YEAR REVISION: _____
- PRE 2013 CODE SEISMIC ZONE: 1 2A 2B 3 4
- DO YOU HAVE AN EXISTING DEFLECTOR SHEAVE: YES NO
 - IF NOT, WHAT DIAMETER TRACTION SHEAVE IS REQUIRED: _____
- DO THE HOIST ROPES DROP STRAIGHT DOWN TO THE CAR HITCH AS SHOWN IN SKETCH "A"? YES NO
- PROVIDE THE CAR TO CWT. ROPE DROP DISTANCE: _____
 (SEE SKETCH "A" - DIM. "AA")

**ENGINEERING INFORMATION:
 WE REQUIRE ALL MARKED ITEMS
 AND FILL IN ANY BLANK FIELDS
 ASSOCIATED WITH THOSE ITEMS**



SHEAVES

- HOIST ROPES: QUANTITY _____ SIZE _____
- PITCH OF HOIST ROPES: _____
- BEAM / CHANNEL SIZE: _____" HIGH x _____" WIDE
- BEAM SPACING (SEE SKETCH "B" - DIM. "BA", "BB" & "BC")
- IF DEFLECTOR MOUNTING IN MACHINE ROOM SEE ATTACHED SURVEY E-147-1
- IF A NEW DEFLECTOR IS REQUIRED, PROVIDE DIAMETER REQUIRED: _____



MACHINE ISOLATION

- IS FLOOR SLAB EXISTING? YES NO
- FLOOR SLAB THICKNESS: _____
- ABOVE THE MACHINE BEAMS YES NO
- BEAM / CHANNEL SIZE: _____" HIGH x _____" WIDE
- BEAM SPACING (SEE SKETCH "B" - DIM. "BA", "BB" & "BC")