	<b>Document Name</b>	<b>Date</b>	<b>Rev.</b>	<b>Page</b>	<b>E-DOC</b>
	620L/622L ROPE GRIPPER® 4-WIRE CONNECTION UPDATE	05/30/23	A	1 of 1	177

Thank you for your purchase of a Hollister-Whitney linear Rope-Gripper®.

The linear series of Hollister-Whitney Rope Grippers has been updated from its original launch configuration of a 5-wire connection from the controller to support a 4-wire connection from the controller. A software update has been implemented which no longer requires RG11 to be connected to the common of the elevator control safety string. Also as a result of the software update the functionality of MD1 and MD2 is no longer required. Please note that the new schematic on the back of the cover no longer shows RG11, MD1, and MD2. The original schematic label can be seen below in Figure 1 and the updated schematic label can be seen below in Figure 2.

 **NOTE -**

Updated software and the updated schematic label will be supplied for all replacement board orders for the original 5-wire configuration. You will not need to connect RG11 when replacing an original board version but if RG11 is connected to the common of the elevator control safety string the functionality will remain the same. A new schematic label will also be supplied to replace the 5-wire connection schematic label on the back of the cover on replacement board orders.

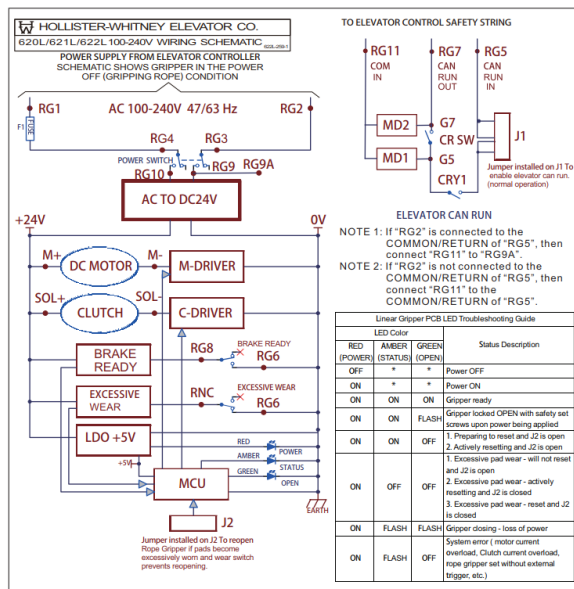


Figure 1: Original Schematic Label

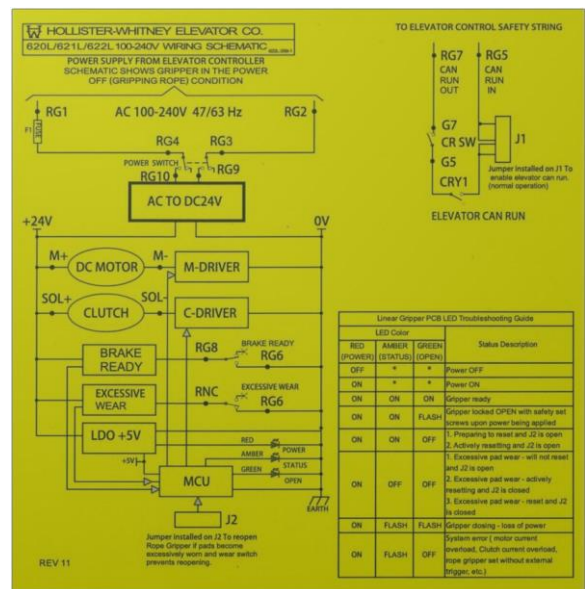


Figure 2: Updated Schematic Label

 **NOTE -**

If you have the original 5-wire connection software and the Rope Gripper® is functioning properly there is no need to upgrade to the 4-wire software version.