

Sheaves

FOR COMPENSATION ROPE TENSIONING

Our compensating rope tension sheave assemblies are designed to provide tension to the compensation ropes and guide them as the elevator travels. This ensures that the ropes run smoothly.

These sheave assemblies are available in both single sheave and twin sheave configurations. The twin sheave model can be customized for larger rope spans and additional weight racks can be added on some configurations for additional tension if needed.

Features

- Polyethylene guide shoe inserts
- Sealed sheave bearings
- Rope retainers
- Adjustable weight racks (optional)
- Debris guards
- Compensating rope sheave switch
- Working travel up to 12 in.
- Adjustable switch flag

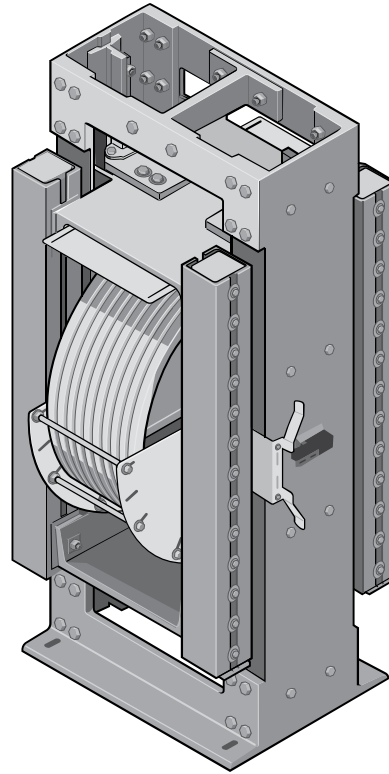
Ratings

- Speeds up to 700 ft/min on standard assemblies; Speeds over 700 ft/min available with tie-down assemblies
- Minimum sheave diameter of 32 times the rope diameter
- Maximum 3 in. rope pull-off or pull-in from sheave
- Rated for use in seismic zones

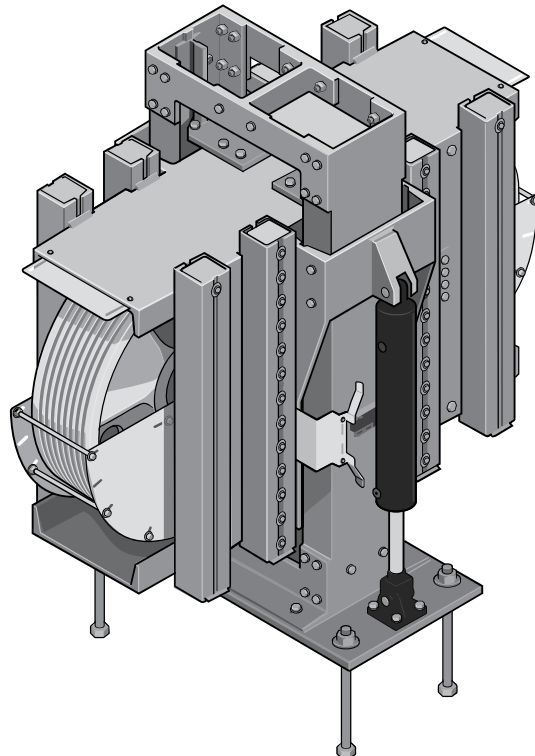
When ordering, please specify:

- Number and size of compensation ropes
- Rope pitch (centerline-to-centerline)
- Compensation rope drop
- Car speed
- Optional weight racks if desired

Model 346 Tension Assembly
Single Sheave with Optional Weight Racks

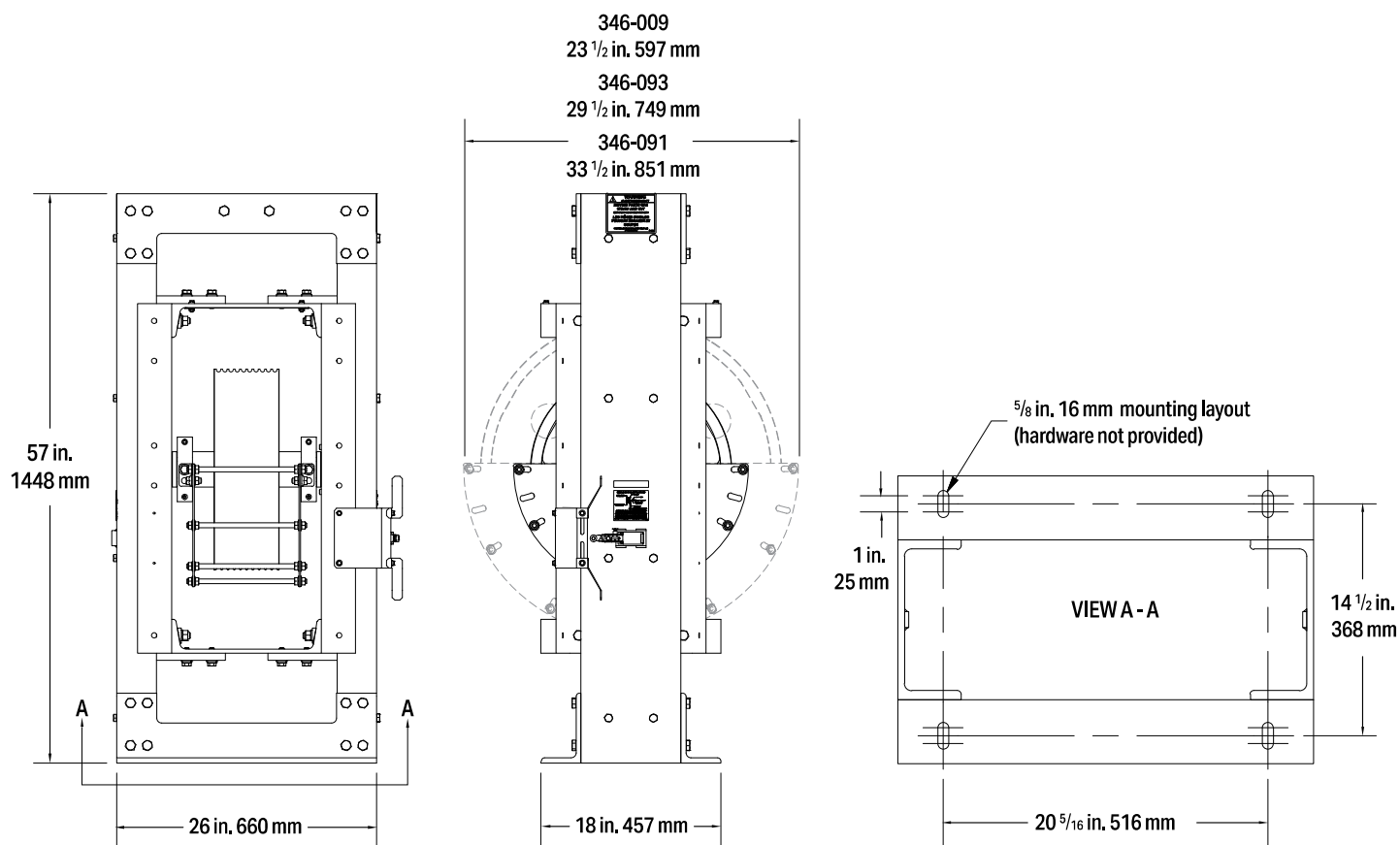


Model 347 Tie-Down (TD) Assembly
Double Sheave with two sets of Optional Weight Racks



Sheaves

FOR COMPENSATION ROPE TENSIONING

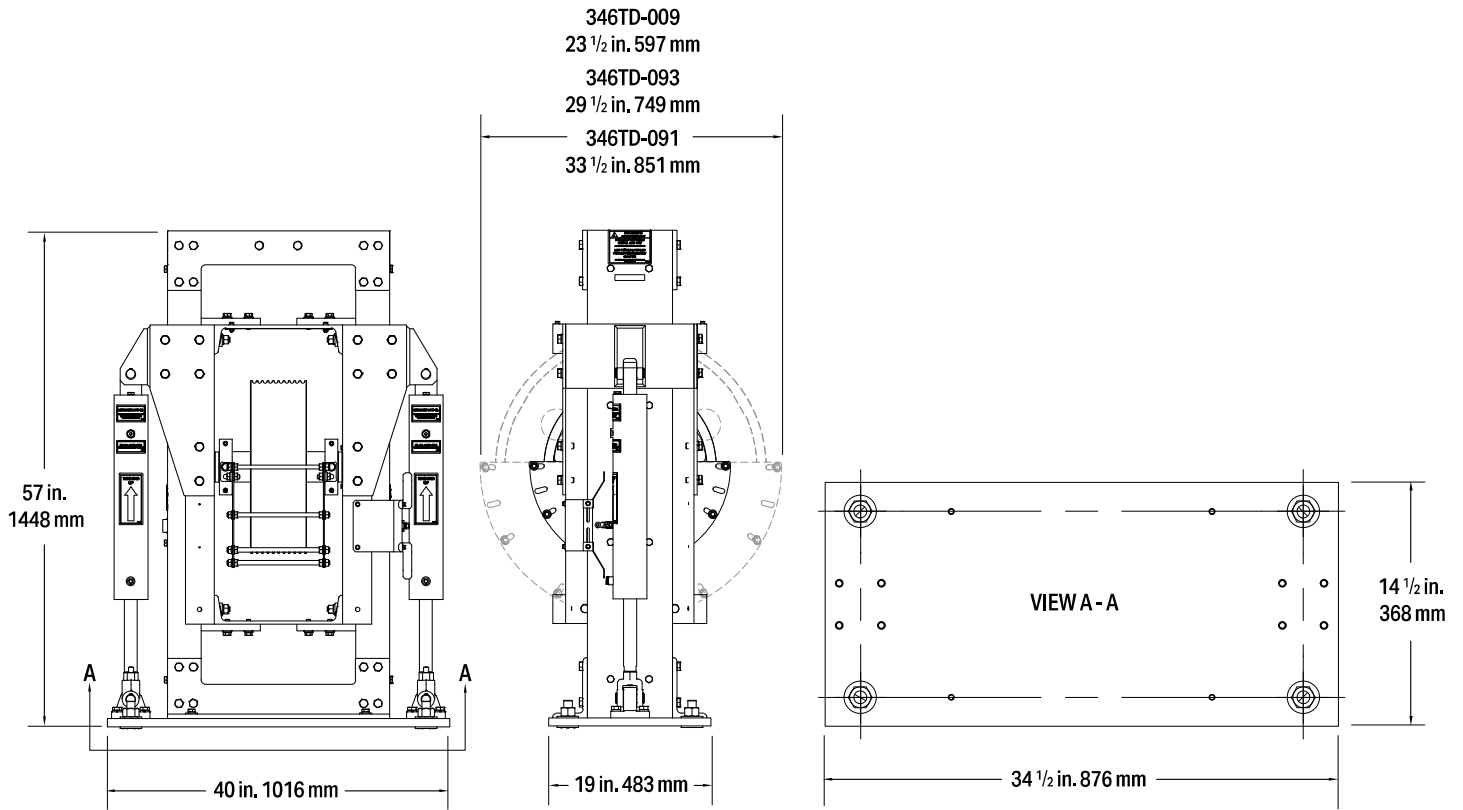


Single Sheaves						
Part number	Sheave Diameter	Max Sheave Width	Max Rope Quantity and Size	Nom Distance between ropes	Aprox Hanging Weight	Shipping Weight
346-009B	20 in. (508 mm)	6 1/2 in. (165 mm)	7 x 1/2 in. or 6 x 5/8 in.	20 in. (508 mm)	700 lbs (318 kg)	1,100 lbs (500 kg)
346-093B	25 in. (635 mm)	8 1/2 in. (216 mm)	9 x 1/2 in. or 8 x 5/8 in.	25 in. (635 mm)	800 lbs (363 kg)	1,200 lbs (545 kg)
346-091B	30 in. (762 mm)	8 1/2 in. (216 mm)	9 x 1/2 in. or 8 x 5/8 in.	30 in. (762 mm)	900 lbs (409 kg)	1,300 lbs (591 kg)

Note: Add 650 lbs (295 kg) per set for optional weight racks

Sheaves

FOR COMPENSATION ROPE TENSIONING

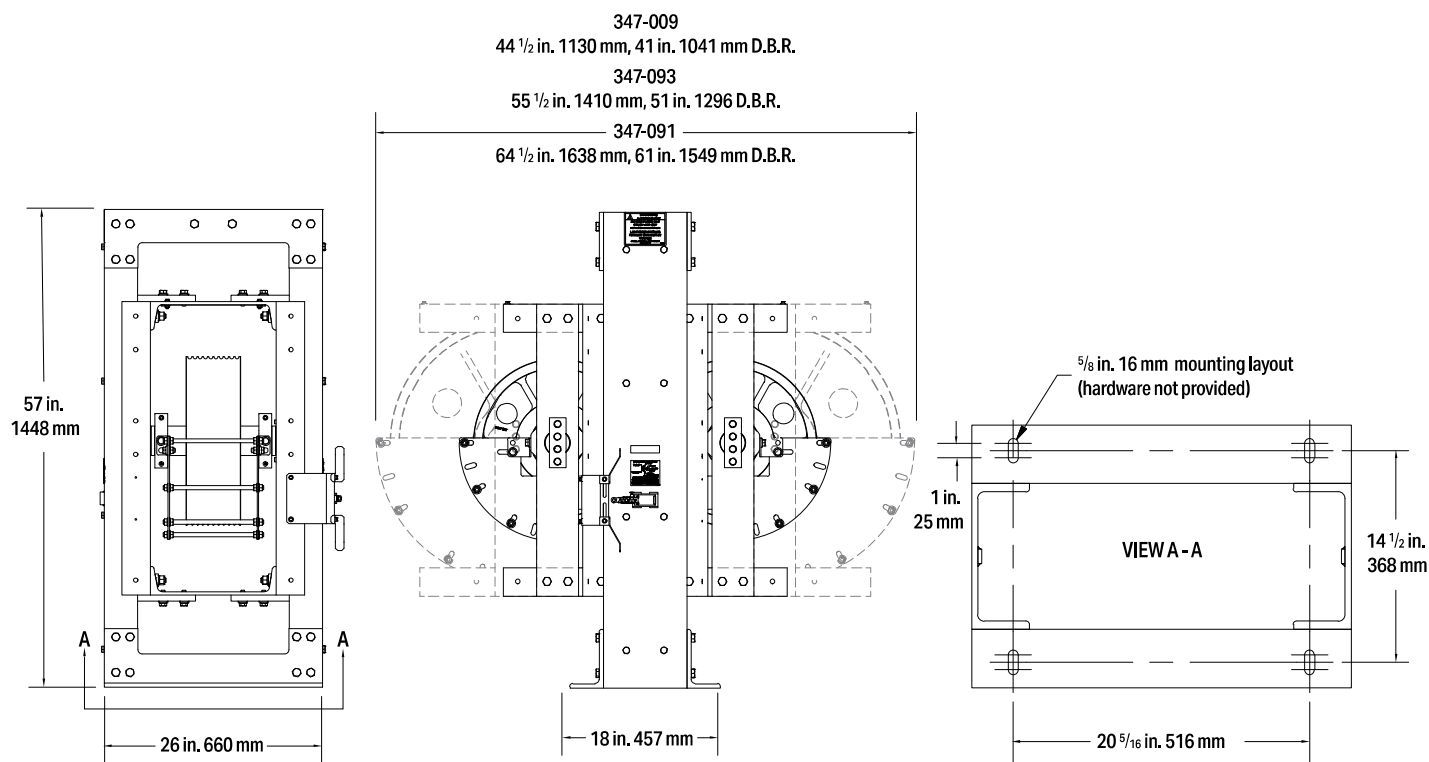


Single Sheaves						
Part number	Sheave Diameter	Max Sheave Width	Max Rope Quantity and Size	Nom Distance between ropes	Aprox Hanging Weight	Shipping Weight
346TD-009B	20 in. (508 mm)	6 1/2 in. (165 mm)	7 x 1/2 in. or 6 x 5/8 in.	20 in. (508 mm)	900 lbs (409 kg)	1,600 lbs (727 kg)
346TD-093B	25 in. (635 mm)	8 1/2 in. (216 mm)	9 x 1/2 in. or 8 x 5/8 in.	25 in. (635 mm)	1,000 lbs (454 kg)	1,700 lbs (772 kg)
346TD-091B	30 in. (762 mm)	8 1/2 in. (216 mm)	9 x 1/2 in. or 8 x 5/8 in.	30 in. (762 mm)	1,100 lbs (499 kg)	1,800 lbs (818 kg)

Note: Add 650 lbs (295 kg) per set for optional weight racks

Sheaves

FOR COMPENSATION ROPE TENSIONING



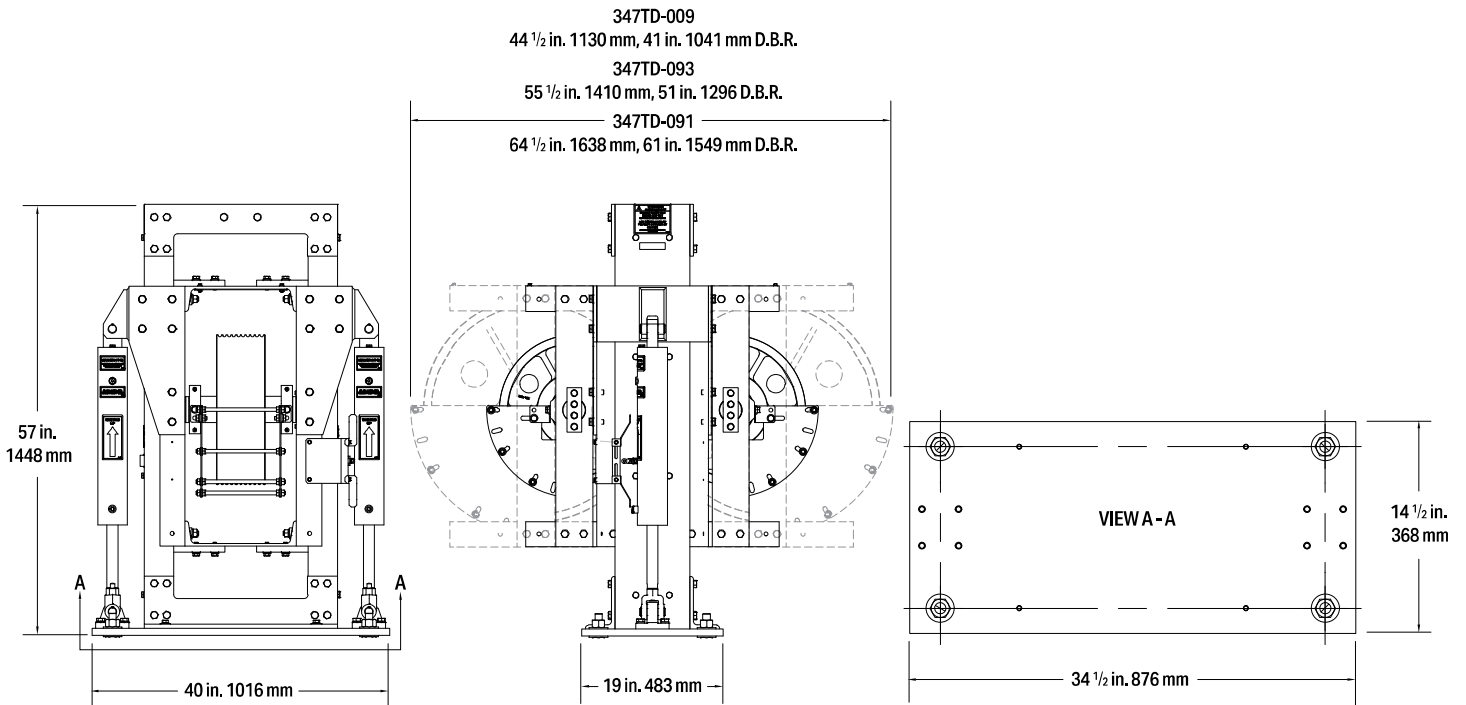
Twin Sheaves						
Part number	Sheave Diameter	Max Sheave Width	Max Rope Quantity and Size	Nom Distance between ropes	Aprox Hanging Weight	Shipping Weight
347-009B	20 in. (508 mm)	6 1/2 in. (165 mm)	7 x 1/2 in. or 6 x 5/8 in.	41 in. (1041 mm)	1,200 lbs (545 kg)	1,600 lbs (727 kg)
347-093B	25 in. (635 mm)	8 1/2 in. (216 mm)	9 x 1/2 in. or 9 x 5/8 in.	51 in. (1295 mm)	1,500 lbs (682 kg)	1,900 lbs (864 kg)
347-091B	30 in. (762 mm)	8 1/2 in. (216 mm)	9 x 1/2 in. or 9 x 5/8 in.	61 in. (1549 mm)	1,700 lbs (773 kg)	2,100 lbs (955 kg)

Note: Add 650 lbs (295 kg) per set for optional weight racks

Model 347 can be customized for DBR and additional weight racks

Sheaves

FOR COMPENSATION ROPE TENSIONING



Twin Sheaves						
Part number	Sheave Diameter	Max Sheave Width	Max Rope Quantity and Size	Nom Distance between ropes	Aprox Hanging Weight	Shipping Weight
347TD-009B	20 in. (508 mm)	6 1/2 in. (165 mm)	7 x 1/2 in. or 6 x 5/8 in.	41 in. (1041 mm)	1,400 lbs (636 kg)	2,100 lbs (953 kg)
347TD-093B	25 in. (635 mm)	8 1/2 in. (216 mm)	9 x 1/2 in. or 9 x 5/8 in.	51 in. (1295 mm)	1,700 lbs (771 kg)	2,400 lbs (1,091 kg)
347TD-091B	30 in. (762 mm)	8 1/2 in. (216 mm)	9 x 1/2 in. or 9 x 5/8 in.	61 in. (1549 mm)	1,900 lbs (817 kg)	2,600 lbs (1,182 kg)

Note: Add 650 lbs (295 kg) per set for optional weight racks

Model 347TD can be customized for DBR and additional weight racks